



2014 PARTS *guide*



Digital Performance Series

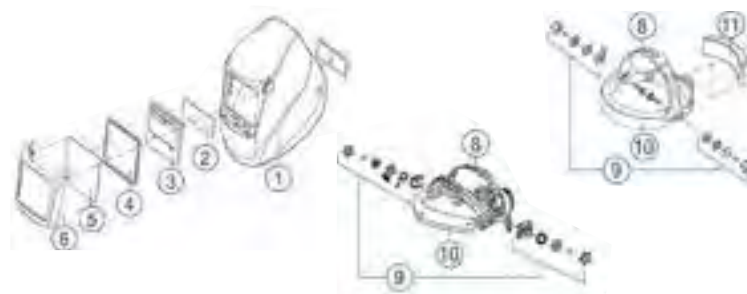
Item #	Description	Performance Series	
		ANALOG	DIGITAL
1	Helmet shell, Black	232 020	232 020
	Helmet shell, American Eagle	232 021	232 021
	Helmet shell, Millermatic	232 023	232 023
	Helmet shell, Blue Flame	237 160	237 160
	Helmet shell, Camouflage	241 461	241 461
	Helmet shell, American Eagle II	265 708	265 708
	Helmet shell, Blue Rage	241 459	241 459
	Helmet shell, Illusion	256 171	256 171
	Helmet shell, '64 Custom	250 533	250 533
	Helmet shell, Velocity	260 937	260 937
2	Inside lens cover (4 1/4 x 2 in) (5-pkg)	770 237	770 237
3	Auto-darkening lens assembly	232 026	256 468
4	Gasket, front lens	232 028	232 028
5	Front lens cover (4 1/2 x 5 1/2 in) (5-pkg)	231 921	231 921
6	Front lens holder, Black, flat	232 030	232 030
	Front lens holder, Gray	232 031	232 031
	Front lens holder, Red	203 586	203 586
	Front lens holder, Gloss Black	232 032	232 032
	Front lens holder, Blue	232 033	232 033
	Front lens holder, Camouflage	243 395	243 395
	Front lens holder, Light Blue	251 278	251 278
	Front lens holder, White	257 041	257 041
8	Ratchet headgear assembly (includes #9 & #10)	770 246	256 174
9	Adjustment angle/stop hardware kit	770 248	256 178
10	Fabric headband	770 249	770 249
	Replacement o-rings for kits #258 178 & #770 248 (5 per pkg)	079 975	079 975
11	Comfort cushion	216 336	-
12	Battery tray, kit (left/right)	232 027	256 730
	Battery, lithium CR2450 (not shown)	217 043	217 043 (2)



America's Eagle™ II #264 851 Blue Rage™ #256 164 '64 Custom™ #256 160



Illusion™ #256 165 Camouflage #256 163 Black #256 159



Digital/Analog Performance™ Series

Digital Pro-Hobby Series

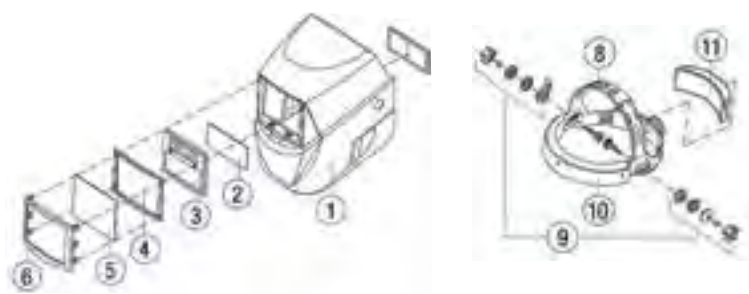
Item #	Description	Pro-Hobby Series	
		ANALOG	DIGITAL
1	Helmet shell, Black	231 415	231 415
	Helmet shell, American Eagle	231 416	231 416
	Helmet shell, Red Flame	231 419	231 419
	Helmet shell, Camouflage	231 418	231 418
	Helmet shell, American Eagle II	265 707	265 707
	Helmet shell, Blue Heat	250 367	250 367
	Helmet shell, Metalworks	260 087	260 087
2	Inside lens cover (4 1/4 x 1 3/4 in) (5-pkg)	231 410	231 410
3	Auto-darkening lens assembly	231 409	256 467
4	Gasket, front lens	231 412	231 412
5	Front lens cover (4 1/2 x 3 3/4 in) (5-pkg)	231 411	231 411
6	Front lens holder, Black, flat	231 572	231 572
	Front lens holder, Gray	231 573	231 573
	Front lens holder, Red	231 574	231 574
	Front lens holder, Blue	231 575	231 575
	Front lens holder, Camouflage	231 576	231 576
8	Ratchet headgear assembly (includes #9 & #10)	770 246	256 174
9	Adjustment angle/stop hardware kit	770 248	256 178
10	Fabric headband	770 249	770 249
	Replacement o-rings for kits #258 178 & #770 248 (5 per pkg)	079 975	079 975
11	Comfort cushion	216 336	-
12	Battery tray, kit (left/right)	-	256 729
	Battery, lithium CR2450 (not shown)	AAA Alkaline	217 043 (2)
	Battery cover (not shown)	231 413	-



Stars and Stripes™ #264 850 Metalworks™ #259 486 Red Flame #256 168



Camouflage #256 169 Black #256 166



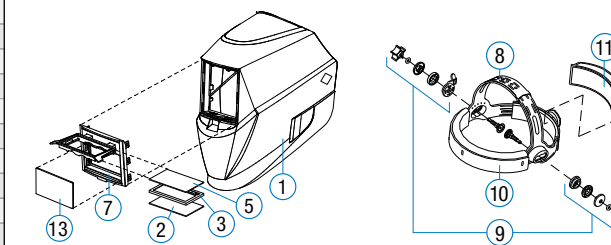
Digital/Analog Pro-Hobby™ Series

Classic Series

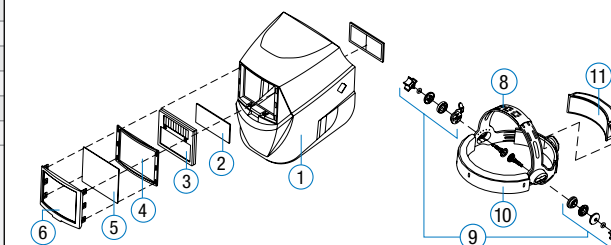
Item #	Description	Classic Series			
		FS#10	VS	VSi™	FS#10 Flip-Up
1	Helmet shell, Black	231 415	231 415	261 824	231 415
2	Inside lens cover (4 1/4 x 2 in) (5-pkg)	-	-	-	770 237
	Inside lens cover (4 1/4 x 1 3/4 in) (5-pkg)	231 410	231 410	231 410	-
3	Auto-darkening lens assembly	231 571	251 293	261 826	770 226
3b	Gasket, Lens assembly (QR)	-	-	261 827	-
4	Gasket, front lens	231 412	231 412	-	-
5	Front lens cover (4 1/4 x 2 in) (5-pkg)	-	-	-	770 237
	Front lens cover (4 1/2 x 3 3/4 in) (5-pkg)	231 411	231 411	-	-
	Front lens cover (5 1/4 x 4 1/2 in) (5-pkg)	-	-	235 628	-
6	Front lens holder, Black, flat	231 572	231 572	261 828	-
7	Frame, lens holding	-	-	-	261 829
8	Ratchet headgear assembly (includes #9 & #10)	770 246	770 246	770 246	770 246
9	Adjustment angle/stop hardware kit	770 248	770 248	770 248	770 248
10	Fabric headband	770 249	770 249	770 249	770 249
	Replacement o-rings for kits #258 178 & #770 248 (5 per pkg)	079 975	079 975	079 975	079 975
11	Comfort cushion	216 336	216 336	216 336	216 336
12	Battery, lithium CR2450 (not shown)	-	AAA Alkaline	217 043	-
	Battery cover (not shown)	-	231 413	266 781	-
13	Lens, Grinding Shield (Clear)	-	-	245 818	261 830
14	Clips, Retaining Grinding Shield	-	-	245 819	-
16	Clips, Visor Hinge (i-Series Shell)	-	-	255 070	-
17	Lens Tear-Off, Grind Shield (Clear) (not shown)	-	-	254 278	-



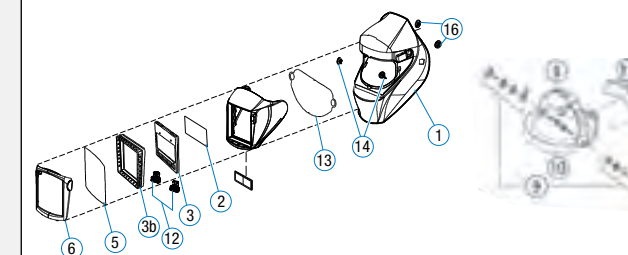
FS#10 Flip-Up #263 038 FS#10 #231 703 (4 Pk) VSi #260 938



Classic Series FS#10 Flip-Up



Classic Variable Shade & FS#10



Classic VSi™

MP-10 Series

Item #	Description	MP-10 Series
1	Helmet shell, Black	216 331
	Helmet shell, Inferno	223 454
2	Inside lens cover (5 1/4 x 4 1/2 in) (5-pkg)	235 628
3	Filter plate	235 630
4	Gasket, front lens	216 337
5	Front lens cover (4 11/16 x 5 5/8 in) (5-pkg)	216 326
7	Frame, lens holding	216 335
7a	Spacer, lens holding (MP-10)	235 629
8	Ratchet headgear assembly (includes #9 & #10)	770 246
9	Adjustment angle/stop hardware kit	770 248
10	Fabric headband	770 249
	Replacement o-rings for kits #258 178 & #770 248 (5 per pkg)	079 975
11	Comfort cushion	216 336



Inferno™ #238 496 (Each) Black #238 497 (Each) #235 626 (6 Pk)



MP-10™



Auto-Darkening Helmet Accessories & Packages

Magnifying Lenses for All Miller Helmets

- #212 235 0.75 magnification
- #212 236 1.00 magnification
- #212 237 1.25 magnification
- #212 238 1.50 magnification
- #212 239 1.75 magnification
- #212 240 2.00 magnification
- #212 241 2.25 magnification
- #212 242 2.50 magnification

Magnifying lens size is 4 1/2" x 2" x 5/23"



Helmet Bib #253 882

- WeldX™ helmet bib provides added protection
- Velcro® attachment



Helmet Hook #251 018

- Holds welding helmets, grinding shields or other helmets with a headgear
- Silicone strap secures the helmet in place



Helmet Bag with Miller® Logo #770 250

Features drawstring closure, ultra-soft inside liner and convenient exterior storage pouch for gloves, glasses, etc.



NEW! Headgear #256 174

- Improved comfort with dual top straps and pivoting back strap
- New easy-turn ratchet for better fit
- Simple squeeze and slide depth adjustment



NEW! Slotted Hard Hat Adapter #259 637

Compatible with most slotted hard hats. * Helmet and hard hat not included



Hard Hat Adapter

#213 110 (XL and XLi)
#222 003 (Titanium, XLix, Elite, Performance, ProHobby, Classic and MP-10 Series)

Adapters are compatible with Fibre Metal and MSA hard hats. Other brands may or may not fit depending on overall size and shape.

*Helmet and hard hat not included



Digital Elite Upgrade Kit

#236 052

Consisting of a Digital lens, lens gasket, and lens holder, this kit gives standard Elite and MP-10 helmet owners the option to upgrade their helmet to the new digital technology at a savings.

Hardware kit #256 178

Safety Glasses

- Form fitting orbital eye coverage
- Shatterproof polycarbonate lenses
- Soft foam protection guards dust and perspiration from the eye
- Shade 3.0 and 5.0 Glasses feature reflective outer coating providing ultraviolet protection and enhanced contrast with minimal glare
- Meets ANSI Z87.1 Standards

Clear Lens

#238 979 (Black frame)

Smoked Lens

#235 656 (Black frame)

#235 655 (Blue frame)

Shade 3.0 Lens

#235 662 (Black frame)

#235 661 (Blue frame)

#235 663 (Orange frame)

Shade 5.0 Lens

#235 658 (Black frame)

#235 657 (Blue frame)

#235 659 (Orange frame)



2x4 Auto-Darkening Lenses

- Fits all 2x4 inch windows
 - Auto-On/Auto-Off
 - Light state shade #3
 - 2 Year Warranty
- #770 660 (Shade 8)
#770 659 (Shade 9)
#770 226 (Shade 10)



Head Threads



Caps available in 6 different sizes and are reversible to a solid color

Caps have low, 6-1/2 in crown with soft bill

Reversible

Bandannas have a terry cloth insert sewn into the sweatband

Made from 100% cotton

Head Thread Size Chart

• Bandannas have a sewn-in sweatband

• Caps are reversible with a low, soft bill

Caps	Size 7	Size 7-1/8	Size 7-1/4	Size 7-3/8	Size 7-1/2	Size 7-3/4
American Pride	230 553	230 554	230 555	230 556	230 557	230 558
Blue Flame	230 535	230 536	230 537	230 538	230 539	230 540
Dragon	230 547	230 548	230 549	230 550	230 551	230 552
Ghost Skulls	230 541	230 542	230 543	230 544	230 545	230 546
NEW! Miller® Logos	258 322	258 323	258 325	258 326	258 327	230 328
Bandannas (One Size Only)	Black 250 904	Dragon 230 560	Maple Leaf 250 905	NEW! Miller® Logos 258 440	Skull & Barbed Wire 230 559	

Protection Paks



Performance Pak shown.

Starter Pak

Includes #251 292 Classic VS helmet and Classic Cloth jacket

#255 848 Large

#255 850 X-Large

#255 851 2X-Large

Performance Pak

Includes #256 159 Performance helmet and Indura® Cloth jacket

#240 886 Large

#240 887 X-Large

#240 888 2X-Large

Job-Site Tool Bag

Our Tool Bag is Perfect for Transporting Your Welding Protection Products to and from the Jobsite

#228 028



Unzipped, the bag has an opening of 12 x 18-1/2 in

Comfortable and well-padded shoulder strap

Over 20 separate pockets to store a variety of items



Welding Apparel



- Leather Jacket (See Size Chart)**
 - Premium top grain leather
 - Expandable leather strategically placed for optimal mobility
 - Flame-resistant inside cuff
 - Satin lined
 - Tapered, athletic cut
- WeldX™ Jacket (See Size Chart)**
 - Lightweight exclusive material with extreme flame-resistant properties
 - 7-ounce WeldX front and flame-resistant navy cotton back
 - Vented back/extended rear tail
 - Zipper closure with Velcro® flap
 - Chromium free
- Combo Jacket (See Size Chart)**
 - Indura® flame-resistant cotton (flame resistance guaranteed for life of jacket)
 - Premium top grain leather
 - Allows for patented bib/apron attachment
- Indura® Cloth Jacket Men's and Women's (See Size Chart)**
 - Indura® flame-resistant cotton (flame resistance guaranteed for life of jacket)
 - Nomex® flame-resistant thread
 - Allows for patented bib/apron attachment
- Classic Cloth Jacket (See Size Chart)**
 - 9-ounce flame-resistant navy cotton
 - Pre-shrunk fabric
 - Fold-in sleeve snaps
 - Finished hems and reinforced stitching



- WeldX™ Cape Sleeves (See Size Chart)**
 - 7-ounce WeldX front and flame-resistant navy cotton back
 - Fold-in sleeve snaps
 - Allows for bib attachment (sold separately)
- Classic Cloth Cape Sleeves (See Size Chart)**
 - 9-ounce flame-resistant navy cotton
 - Fold-in sleeve snaps
 - Allows for bib attachment (sold separately)
- WeldX™ Apron #247 134**
 - 35-inch length with accessible front pocket
 - Adjustable drawstring ensures a good fit
- Classic Cloth Apron #247 149**
 - 35-inch length with accessible front pocket
 - Adjustable drawstring ensures a good fit
- Classic Cloth Lab Coat (See Size Chart)**
 - 40-inch length
 - 9-ounce flame-resistant navy cotton
 - Fold-in sleeve snaps
 - Finished hems and reinforced stitching



- WeldX™ Bib #247 133**
 - 19-inch length
 - Attaches to cape sleeves
- Classic Cloth Bib #247 147**
 - 19-inch length
 - Attaches to cape sleeves
- WeldX™ Sleeves #247 137**
 - 18-inch length
 - Fold-in sleeve snaps
 - One-handed cinch closure
- Classic Cloth Sleeves #247 148**
 - 18-inch length
 - Fold-in sleeve snaps
 - One-handed cinch closure
- Combo Sleeves #231 096**
 - Indura® flame-resistant cotton/top grain leather
 - 21-inch (533 mm) length

Apparel	Small	Medium	Large	X-Large	2X-Large	3X-Large	4X-Large	5X-Large
Leather Jacket	#231 088	#231 089	#231 090	#231 091	#231 092	#231 093	#231 094	#231 095
WeldX Jacket	#247 114	#247 115	#247 116	#247 117	#247 118	#247 119	#247 120	#247 121
Combo Jacket	#231 080	#231 081	#231 082	#231 083	#231 084	#231 085	#231 086	#231 087
NEW! Indura Cloth Jacket (Men's)	#258 095	#258 097	#258 098	#258 099	#258 100	#258 101	#258 102	#258 104
NEW! Indura Cloth Jacket (Women's)	#264 379	#264 380	#264 381	#264 382	#264 383	—	—	—
Classic Cloth Jacket	#244 749	#244 750	#244 751	#244 752	#244 754	#244 755	#244 756	#244 758
WeldX Cape Sleeves	#247 122	#247 123	#247 124	#247 126	#247 127	#247 128	#247 130	#247 131
Classic Cloth Cape Sleeves	#247 138	#247 139	#247 140	#247 142	#247 143	#247 144	#247 145	#247 146
NEW! Classic Cloth Lab Coat	—	—	#252 000	#252 001	#252 002	—	—	—

Welding Apparel Size Chart

Welding Gloves

Premium – unprecedented comfort and performance, redefining the welding glove industry. Three-dimensional pattern, select-grade leather and precision craftsmanship with unique design features for specific welding applications. Exceptional dexterity and flexibility.

NEW! **Extra Heavy-Duty MIG/Stick**
#263 350 Large
#263 351 X-Large

- An industry first! Silicone patches on back for heat and spatter protection
- Multi-layered insulated palm and back
- Dual-padded, pig grain palm for added comfort

NEW! **Heavy-Duty MIG/Stick (Long Cuff)**
#263 342 X-Large

- Padded forearm for additional protection and comfort
- Triple-layered insulated back
- Strategically placed patches on pig grain palm and cow split back for extended glove life

NEW! **Heavy-Duty MIG/Stick**
#263 339 Large
#263 340 X-Large

- Strategically placed patches on palm and back for extended glove life
- Double-layered insulated palm and back
- Premium pig grain leather palm provides extreme durability and protection

NEW! **MIG/Stick**
#263 343 Large
#263 344 X-Large

- Strategically placed patches on palm and back for extended glove life
- Double-layered insulated palm and back
- Premium cow split leather provides extreme durability and protection

NEW! **MIG (Lined)**
#263 330 X-Small (Women's)
#263 331 Small (Women's)
#263 332 Medium
#263 333 Large
#263 334 X-Large

- Dual-padded palm
- Fleece insulated palm, foam insulated back
- Cow grain palm, pig split back and goat grain inner fingers provide exceptional dexterity and comfort

NEW! **MIG (Unlined)**
#263 335 Medium
#263 336 Large
#263 337 X-Large

- Unlined palm for heightened feel and dexterity
- Double-layer insulated back and dual-padded palm for added comfort
- Cow grain palm, cow split back and goat grain inner fingers provide exceptional dexterity and comfort

NEW! **TIG**
#263 345 X-Small (Women's)
#263 346 Small (Women's)
#263 347 Medium
#263 348 Large
#263 349 X-Large

- Completely unlined for heightened feel and dexterity
- Triple-padded palm for added comfort
- Premium goat grain leather offers superior flexibility and dexterity

NEW! **TIG/Multitask**
#263 352 Small
#263 353 Medium
#263 354 Large
#263 355 X-Large

- Wool back provides ultimate insulation
- Dual-padded palm for added comfort
- Premium goat grain leather offers superior flexibility and dexterity

Metalworker
#251 066 Medium
#251 067 Large
#251 068 X-Large

- Durable top grain leather and spandex back for enhanced durability and dexterity
- Neoprene wrist with Velcro® closure increases fit and support
- Padded, reinforced palm and thumb saddle for extended wear

Classic – standard fit and materials for the value-minded welder.

Heavy-Duty MIG/Stick
#249 193 Large
#249 194 X-Large

- Durable side-split cowhide
- Aluminized insulation reflects radiant heat
- Reinforced palm heightens support and durability

MIG
#249 195 Large
#249 196 X-Large

- Durable side-split cowhide
- Moisture-wicking cotton fleece lining
- Thumb reinforcement straps increase support and durability

MIG (Long Cuff)
#249 197 Large
#249 198 X-Large

- Extra long 9-inch cuff for increased forearm protection
- Durable side-split cowhide
- Moisture-wicking cotton fleece lining

TIG
#249 199 Large
#249 200 X-Large

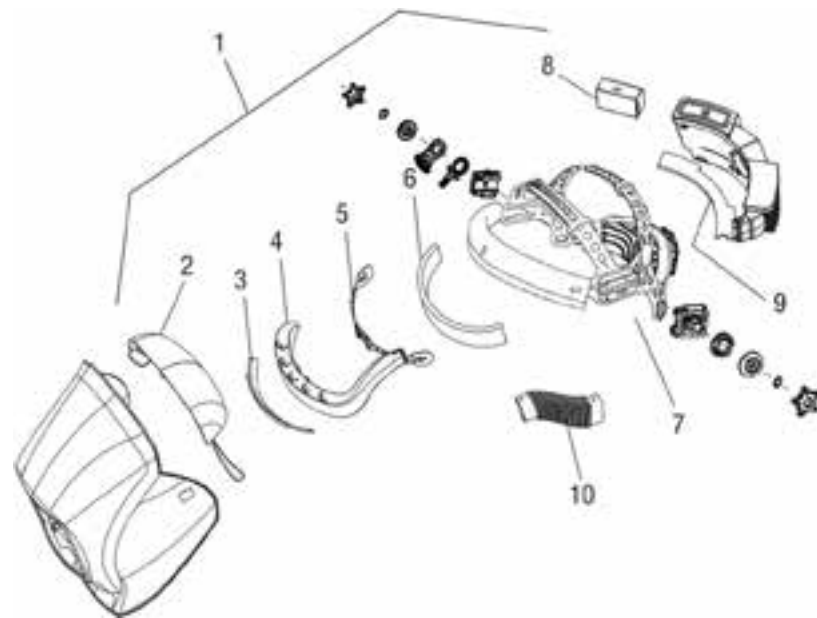
- Unlined pigskin palm offers superior dexterity and wear
- Durable side-split cowhide
- Reinforced palm heightens support and durability



NEW! CoolBand™ II

Integrated Headgear Cooling System Provides All-Day Comfort

- At least 8°F cooler under the hood
- New improved headgear for increased comfort
- Strategically placed air vents reduce lens fogging and remove stagnant air
- Lightweight Lithium Polymer rechargeable battery delivers maximum battery life.
- Oversized power button
- Slim, balanced design
- Compatible with most Miller helmets*



** Not compatible with XL Series™, Classic VSI™, Titanium 1600i™ or 9400i™ helmets*

CoolBand™ II Service Parts/Consumables

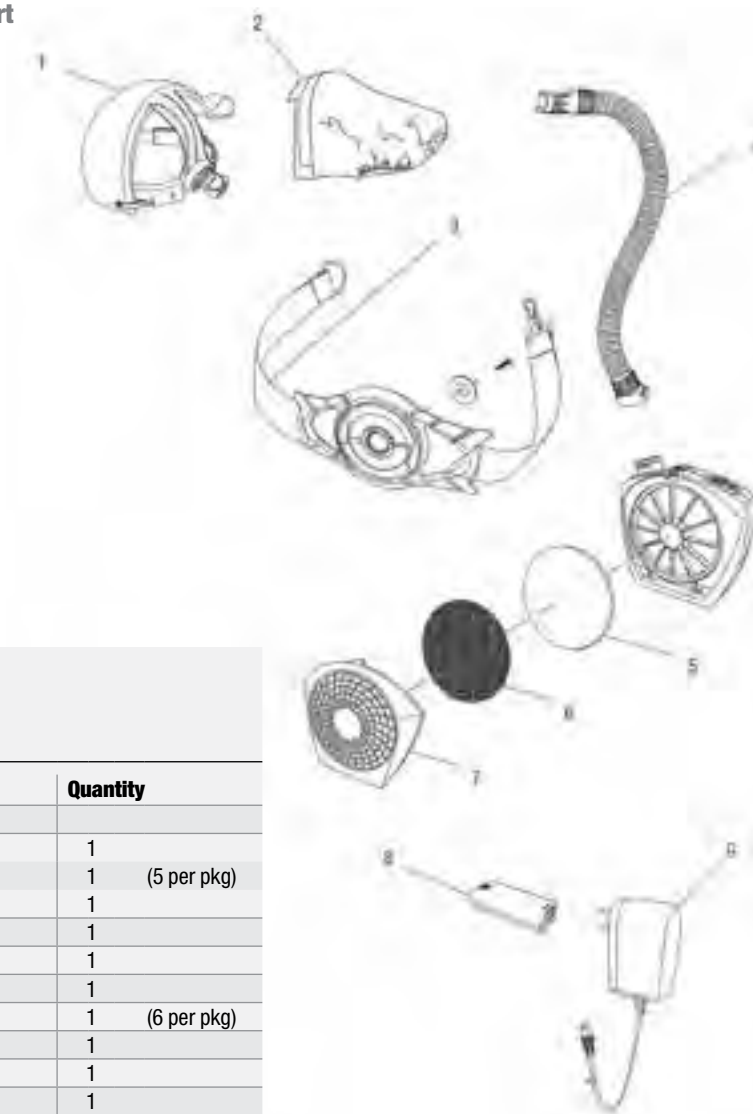
Item #	Part #	Description	Quantity
1	261 970	CoolBand II (entire system - helmet not included)	1
2	261 971	Shroud, head	1
3	243 930	Deflector, air	1
4	261 972	Manifold	1
5	261 973	Bracket, manifold	1
6	770 249	Headband, fabric	1
7	261 974	Headgear set (includes all knobs, headband, screws, and manifold bracket)	1
8	243 927	Battery, rechargeable lithium polymer	1
9	243 932	Filter	1 (10 per pkg)
10	261 975	Tubing, stretch	1
	261 976	Charger, Battery	1
	261 977	Battery Door	1



CoolBelt™

Belt Mounted Cooling System Provides All-Day Comfort through Maximized Airflow Power

- Up to 17°F cooler under the hood
- Constant air movement eliminates stagnant air and reduces fogging
- Lightweight Lithium Ion rechargeable battery delivers maximum battery life
- Dual Air Speeds provide airflow adjustability
- Swivel Quick Connect enhances user mobility
- Lightweight design extends wearability
- Compatible with most Miller helmets*



**Not compatible with XL Series™ helmets*

CoolBelt™ Service Parts/Consumables

Item #	Part #	Description	Quantity
	245 230	CoolBelt unit	
1	245 235	Headgear (includes)	1
	079 975	Replacement O-rings	1 (5 per pkg)
	770 249	Fabric headband	1
2	245 236	Head shroud (hood)	1
3	245 232	Belt	1
4	245 231	Hose assembly	1
5	245 233	Filter	1 (6 per pkg)
6	247 921	Spark Arrestor	1
7	245 234	Filter cover	1
8	245 237	Battery, blower	1
9	245 238	Charger	1
	246 964	Hose cover	1



LPR-100 Half Mask Respirator

- OSHA Classification: Tight-fitting half mask respirator
- NIOSH 42 CFR 84 certified
- Assigned Protection Factor (APF) 10
- Replaceable P100 filters protect users against hexavalent chromium, stainless steel, galvanized steel, steel/manganese alloys, aluminum, cadmium and lead fumes
- Patented low-profile design maximizes field of vision
- Pleated filter eases breathing and extends filter life
- Fit testing may be necessary

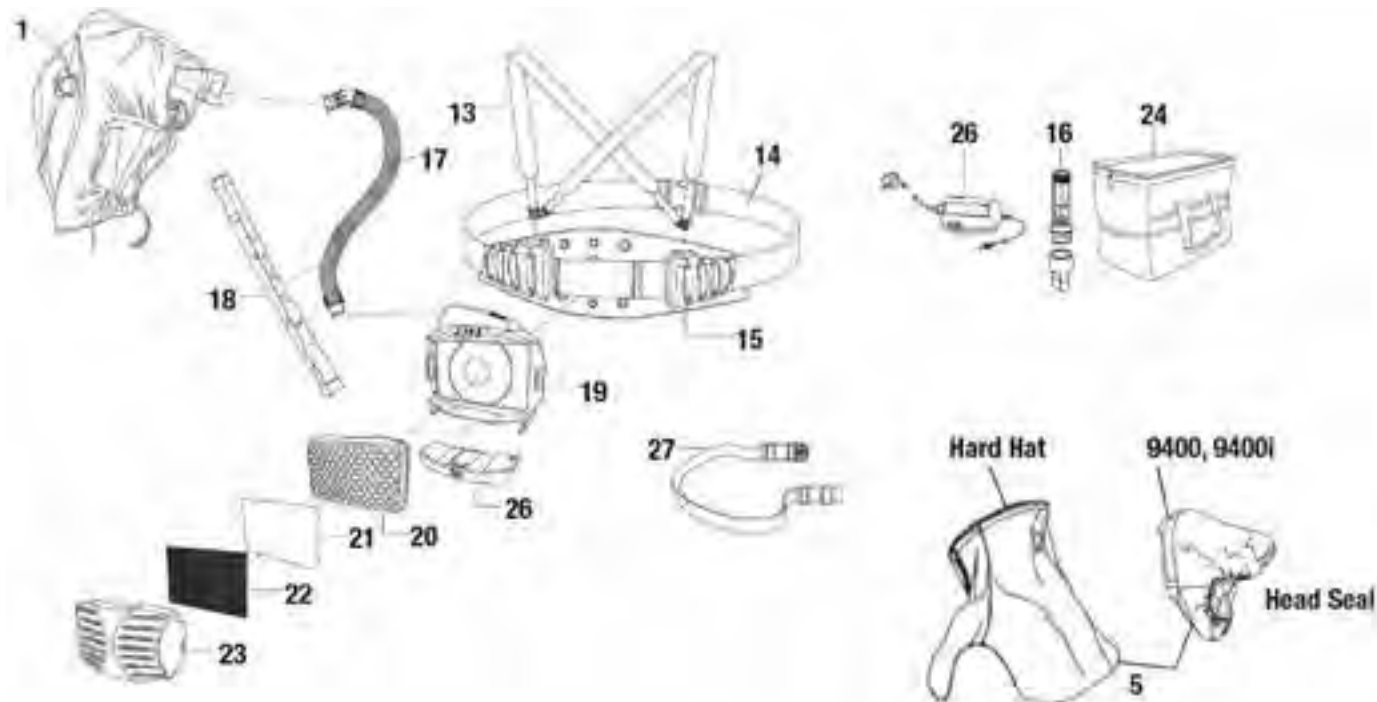
Part #	Description
ML00894	LPR-100 Half Mask
SA00818	Replacement Filters (sold as a pair)
261 086	Quantitative Face-Fit Test Kit



PAPR Powered Air Purifying Respirator

- OSHA Classification: Loose-fitting powered air-purifying respirator
- NIOSH 42 CFR 84 certified
- Assigned Protection Factor (APF) 25
- High Efficiency Particulate Air (HEPA) filter is at least 99.97% efficient in removing monodisperse particles of 0.3 micrometers in diameter
- Available with Titanium 9400™, Titanium 9400i™ or Hard Hat head assemblies
- Lightweight blower design (3.25 lbs.) and load-bearing shoulder straps provide all-day comfort and reduce user fatigue
- Dual air speeds allow users to adjust volume of air to maximize comfort in varied work conditions
- Lightweight lithium ion battery with no memory retention

PAPR



PAPR Service Parts/Consumables

Item #	Description	PAPR w/ Titanium 9400™	PAPR w/ Titanium 9400 (New Headgear)	PAPR w/ Titanium 9400i™	PAPR w/ Titanium 9400i (New Headgear)	PAPR w/ Hard Hat
	PAPR (Complete System w/ Helmet)	247 533 262 615*	264 879	247 531	264 877	259 385 (w/9400 Helmet) 261 659 (w/9400i Helmet)
	PAPR (Complete System w/out Auto-Darkening Lens)	247 534 262 616*	264 882	247 532	264 878	-
	PAPR (Complete System w/out Helmet)	-	-	-	-	259 386
1	Helmet Assy. (Shell, Headgear and Headseal)	245 217 262 623*	264 883	247 471	264 884	-
	Helmet Assy. (Hard Hat, Headgear and Headseal)	-	-	-	-	259 387
2	Headgear (Includes:)	223 430	256 174	247 472	256 174	-
	Fabric Headband	770 249	770 249	770 249	770 249	-
3	Adjustment angle/stop hardware kit (w/O-rings)	770 248	256 178	770 248	256 178	-
	Replacement O-rings for kit 770248 (5 pack)	079 975	-	079 975	-	-
4	Headgear (Hard Hat)	-	-	-	-	259 388
5	Headseal	247 470	265 629	247 473	265 628	259 389
6	Lens holder, Front	243 396	243 369	245 815	245 815	243 396 (9400) 245 815 (9400i)
7	Outside Cover Lens (4-11/16 x 5-5/8)	216 326	216 326	216 326	216 326	216 326
8	Frame/Gasket, ADF lens holding	241 977	241 977	241 977	241 977	241 977
9	Auto-Darkening Lens Assembly (Titanium) (Infotrak)	256 360 256 359*	256 359*	256 360	256 360	256 359*
10	Battery tray kit (left/right)	216 339	216 339	216 339	216 339	216 339
	Battery, Lens (Lithium CR2450)	217 043 (2)	217 043 (2)	217 043 (2)	217 043 (2)	217 043 (2)
11	Inside Cover Lens (4-1/4 x 2-1/2) (5 pack)	216 327	216 327	216 327	216 327	216 327
12	Lens, Grinding Shield (Titanium 9400i)	-	-	245 818	245 818	-
	Tear-away, Grinding Shield	-	-	254 278	254 278	-
	Clip, Retaining Grinding shield (left/right)	-	-	245 819	245 819	-
13	Shoulder Straps	235 680	235 680	235 680	235 680	235 680
14	Belt	235 679	235 679	235 679	235 679	235 679
15	Belt Pad	239 636	239 636	239 636	239 636	239 636
16	Flowmeter	245 219	245 219	245 219	245 219	260 890
17	Breathing Tube Assembly	245 218	245 218	247 474	245 218	259 392
18	Breathing Tube Cover, Flame-resistant	245 367	245 367	239 571	245 367	239 571
	O-ring, Breathing Tube	237 452	237 452	237 452	237 452	259 394
19	Blower Assembly	235 672	235 672	235 672	235 672	235 672
20	Filter, Particulate (HEPA) (2 pack)	235 673-2	235 673-2	235 673-2	235 673-2	235 673-2
	Filter, Particulate (HEPA) (6 pack)	235 673-6	235 673-6	235 673-6	235 673-6	235 673-6
	Filter, Particulate (HEPA) (36 pack)	235 673-36	235 673-36	235 673-36	235 673-36	235 673-36
21	Filter, prefilter (foam)	235 674	235 674	235 674	235 674	235 674
22	Spark Guard	235 676	235 676	235 676	235 676	235 676
23	Filter Cover	235 677	235 677	235 677	235 677	235 677
24	Tool Bag	228 028	228 028	228 028	228 028	228 028
25	Battery, Blower	244 131	244 131	244 131	244 131	244 131
26	Charger	244 132	244 132	244 132	244 132	244 132
27	Belt Extension	244 151	244 151	244 151	244 151	244 151
28	Hard Hat (for PAPR)	-	-	-	-	259 460
29	Slotted Hard Hat Adapter	-	-	-	-	259 637
	Lens, Clear (Hard Hat Headseal)	-	-	-	-	259 390
	Button, Replacement External Grind	-	256 179	-	-	256 179

* Indicates part number features external grind control button.

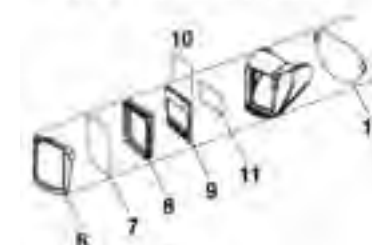
PAPR w/ Titanium 9400 Helmet



w/ New Headgear



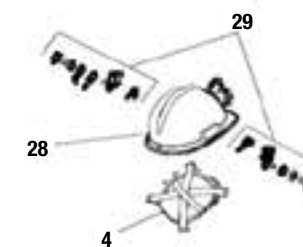
PAPR w/ Titanium 9400i Helmet



w/ New Headgear



PAPR w/Hard Hat



Miller MIG Gun History

Model Name	Serial Number Effective	Original Gun Breakdown	Recommended Replacement Gun (S)	Amperage of Gun	Wire Size	Replacement Gun Breakdown
Sidekick™ XL/ Cricket®	All Serial Numbers	GA-16C N/A	M-100 part number 248282 10 ft	100A at 100% Duty Cycle	.030-.035 (0.8-0.9 mm)	pg 18
Cricket®	All Serial Numbers	GA-16C1 N/A	M-100 W/Friction terminals part number Z20606 10 ft	100A at 100% Duty Cycle	.030-.035 (0.8-0.9 mm)	pg 18
Sidekick™ XL/ Cricket®/ Millermatic® 90	All Serial Numbers	GA-17C N/A	M-100 part number 248282 10 ft	100A at 100% Duty Cycle	.030-.035 (0.8-0.9 mm)	pg 18
			M-150 10 ft part number 249039	150A at 100% Duty Cycle	.030-.035 (0.8-0.9 mm)	pg 18
			M-150 12 ft part number 249040			
Millermatic®120/150	Prior to KF849783 Effective with KF849783	GA-17C N/A M-15 N/A	M-150 10 ft part number 249039 M-150 12 ft part number 249040	150A at 100% Duty Cycle	.030-.035 (0.8-0.9 mm)	pg 18
Millermatic®130 XP	Prior to KK110539 Effective with KK110539	10-A N/A M-10	M-100 part number 248282 10 ft M-150 10 ft part number 249039 M-150 12 ft part number 249040	100A at 100% Duty Cycle 150A at 100% Duty Cycle	.030-.035 (0.8-0.9 mm) .030-.035 (0.8-0.9 mm)	pg 18 pg 18
Millermatic®135/140s/175/180/DVI™s/211	All Serial Numbers	M-10 N/A pg 17	M-100 part number 248282 10 ft M-150 10 ft part number 249039 M-150 12 ft part number 249040	100A at 100% Duty Cycle 150A at 100% Duty Cycle	.030-.035 (0.8-0.9 mm) .030-.035 (0.8-0.9 mm)	pg 18 pg 18
Millermatic®Challenger™	All Serial Numbers	M-15 N/A pg 17	M-100 part number 248282 10 ft M-150 10 ft part number 249039 M-150 12 ft part number 249040	100A at 100% Duty Cycle 150A at 100% Duty Cycle	.030-.035 (0.8-0.9 mm)	pg 18
Millermatic® Challenger™ 172	Prior to KK118238 Effective with KK118238	10-A N/A M-10 N/A	M-100 part number 248282 10 ft M-150 10 ft part number 249039 M-150 12 ft part number 249040	100A at 100% Duty Cycle 150A at 100% Duty Cycle	.030-.035 (0.8-0.9 mm) .030-.035 (0.8-0.9 mm)	pg 18 pg 18
Millermatic®185	All Serial Numbers	M-15 N/A pg 17	M-150 10 ft part number 249039 M-150 12 ft part number 249040	150A at 100% Duty Cycle	.030-.035 (0.8-0.9 mm)	pg 18
Millermatic®200	GA-20C	M-25 pg 19	M-25 10 ft part number 169594 M-25 12 ft part number 169596 M-25 15 ft part number 169598	250A at 100% Duty Cycle	.030-.035 (0.8-0.9 mm)	pg 19
Millermatic®210/212/25 0X/251/252	All Serial Numbers	M-25 pg 19	M-25 10 ft part number 169594 M-25 12 ft part number 169596 M-25 15 ft part number 169598	250A at 100% Duty Cycle	.030-.035 (0.8-0.9 mm)	pg 19
Millermatic® 250	Prior to KF851980 Effective with KF851980	GA-21C N/A M-25 pg 19	M-25 10 ft part number 169594 M-25 12 ft part number 169596 M-25 15 ft part number 169598	250A at 100% Duty Cycle	.030-.035 (0.8-0.9 mm)	pg 19
Millermatic®Vintage	All Serial Numbers	GA-20C; N/A GA-21C; N/A M-25 pg 19	M-25 10 ft part number 169594 M-25 12 ft part number 169596 M-25 15 ft part number 169598	250A at 100% Duty Cycle	.030-.035 (0.8-0.9 mm)	pg 19
Millermatic®300	All Serial Numbers	M-40 N/A	Roughneck C-4010 10 ft part number 194754 Roughneck C-4010 12 ft part number 194755 Roughneck C-4010 15 ft part number 194756	400A at 100% Duty Cycle	.035-.045 (0.9-1.2 mm)	pg 22
Millermatic® 300 without gun	No Gun		Roughneck C-4012 12 ft part number 194755	400A at 100% Duty Cycle	.035-.045 (0.9-1.2 mm)	pg 22
Millermatic® 350	Prior to LE443589 Effective with LE443589	Roughneck C-4012 Q3015AE8XM	Roughneck C-4012 12 ft part number 194755 Q3015AE8XM	400A at 100% Duty Cycle	.035-.045 (0.9-1.2 mm) .045	pg 22 pg 24
Millermatic® Passport™/ Passport™ Plus	All Serial Numbers	M-10 N/A pg 17	M-100 part number 248282 10 ft M-150 10 ft part number 249039 M-150 12 ft part number 249040 M-150 15 ft part number 249041	150A at 100% Duty Cycle 150A at 100% Duty Cycle	.030-.035 (0.8-0.9 mm)	pg 18 pg 18
Millermatic® Pulsar	All Serial Numbers	M-15 N/A pg 17	M-150 10 ft part number 249039 M-150 12 ft part number 249040 M-150 15 ft part number 249041	150A at 100% Duty Cycle	.035-.045 (0.9-1.2 mm)	pg 18

Optional Gun: M-25 Gun, Part Number 169 599, 15ft. 250A at 100% Duty Cycle, Wire Size (.035-.045in)



MIGmatic™ M-Series
100–250 Amp, Semi-Automatic, Air-Cooled MIG Welding Guns



M-Series Consumable Kits (#234 607, #234 608, #234 609)

To better serve you, Miller has introduced six improved, affordable MIG consumable kits that are compatible with the M-Series guns. Each kit contains consumables that are specific to your welding application, including gun type and wire size.

- 234 607—M-10/15, M-100/150 Gun, .023" Wire
- 234 608—M-10/15, M-100/150 Gun, .030" Wire
- 234 609—M-10/15, M-100/150 Gun, .035" Wire

Consumable kits 234 607, 234 608 and 234 609 contain 10 contact tips, 1 nozzle and 1 contact tip adapter.

- 234 610—M-25 Gun, .030" Wire
- 234 611—M-25 Gun, .035" Wire
- 234 612—M-25 Gun, .045" Wire

Consumable kits 234 610, 234 611 and 234 612 contain 10 contact tips, 1 nozzle, 1 contact tip adapter and 1 nozzle adapter.

Accessories

For a complete listing of gun consumables information, please refer to pages 17–20.

M-10/M-15 Service Parts/Consumables

Item #	Part #	Description	Quantity	
			M-10	M-15
	195 605 (N/A)	M-10 Gun, 10 ft (3 m), 100A, .030-.035 (0.8-0.9 mm)		
	169 589 (N/A)	M-15 Gun, 10 ft (3 m), 150A, .030-.035 (0.8-0.9 mm)		
	169 591 (N/A)	M-15 Gun, 12 ft (3.7 m), 150A, .030-.035 (0.8-0.9 mm)		
	169 593 (N/A)	M-15 Gun, 15 ft (4.6 m), 150A, .030-.035 (0.8-0.9 mm)		
1	169 715 ^(B)	Nozzle, slip type, .500 (12.7 mm) orf flush	1	1 (2 per pkg)
	226 190	Nozzle, slip type, flux cored	1	1
2	087 299 ^(B)	Tip, contact scr, .023 (0.6 mm) wire x 1.125	1	1 (10 per pkg)
	000 067 ^(B)	Tip, contact scr, .030 (0.8 mm) wire x 1.125	1	1 (10 per pkg)
	000 068 ^(B)	Tip, contact scr, .035 (0.9 mm) wire x 1.125	1	1 (10 per pkg)
	000 069 ^(B)	Tip, contact scr, .045 (1.2 mm) wire x 1.125	1	1 (10 per pkg)
3	169 716	Adapter, contact tip	1	1 (2 per pkg)
4	170 470	Ring, retaining	1	1
5	169 718	Tube, head	1	1
6	169 738	Nut, locking handle	1	2
7	169 719	Nut, jam (gun end)	1	1
8	169 737	Handle	1	2
9	169 741 (N/A)	Strain Relief, cable	—	2
10	227 800	Cord Assembly	1	1
11	209 495	Connector, feeder—M-10 (includes)	1	—
11	209 486	Connector, feeder—M-15 (includes)	—	1
12	079 974	O-Ring, .500 ID x .103CS rbr	2	2
13	194 010	Kit, liner monocoil .023/.025 (0.6 mm) wire x 15 ft (includes)	1	1
13	194 011	Kit, liner monocoil .030-.035 (0.8-0.9 mm) wire x 15 ft (includes)	1	1
14	079 975	O-Ring, .187 ID x .103CS rbr	1	1
15	227 798	Switch, trigger	1	1
16	079 878	Housing Plug and Pins	1	—
	079 531	Connector, circ cpc clamp str rlf	1	—
17	169 736	Terminal Block	—	1

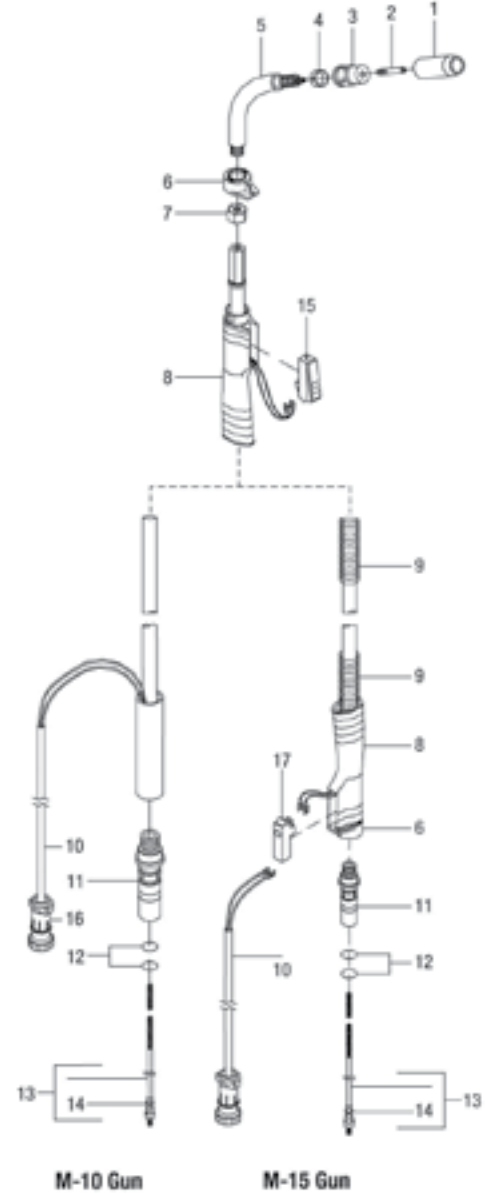
^(B)Available in bulk quantities — see page 20 for more information.

M-Series MIG Guns

*For a detailed listing, please reference page 16.

Model	Stock #	Length	Rating and Duty Cycle (CO ₂) ¹	Wire Size
M-100	248 282	10 ft (3 m)	100 A at 100% Duty Cycle	.030-.035 in (0.8-0.9 mm)
	220 606 ²			
M-150	249 039	10 ft (3 m)	150 A at 100% Duty Cycle	.030-.035 in (0.8-0.9 mm)
	249 040	12 ft (3.7 m)		
	249 041	15 ft (4.6 m)		
M-25	169 594	10 ft (3 m)	250 A at 100% Duty Cycle	.030-.035 in (0.8-0.9 mm)
	169 596	12 ft (3.7 m)		
	194 805 ³	12 ft (3.7 m)		
	169 598	15 ft (4.6 m)		
	169 599	15 ft (4.6 m)		

¹60% with mixed gases ²#220 606 is an M-100 gun with friction terminals for the Miller Cricket.[®]
³#194 805 is an M-25 gun with friction lugs for the Hobart Beta-MIG 2510.



M-10 Gun

M-15 Gun

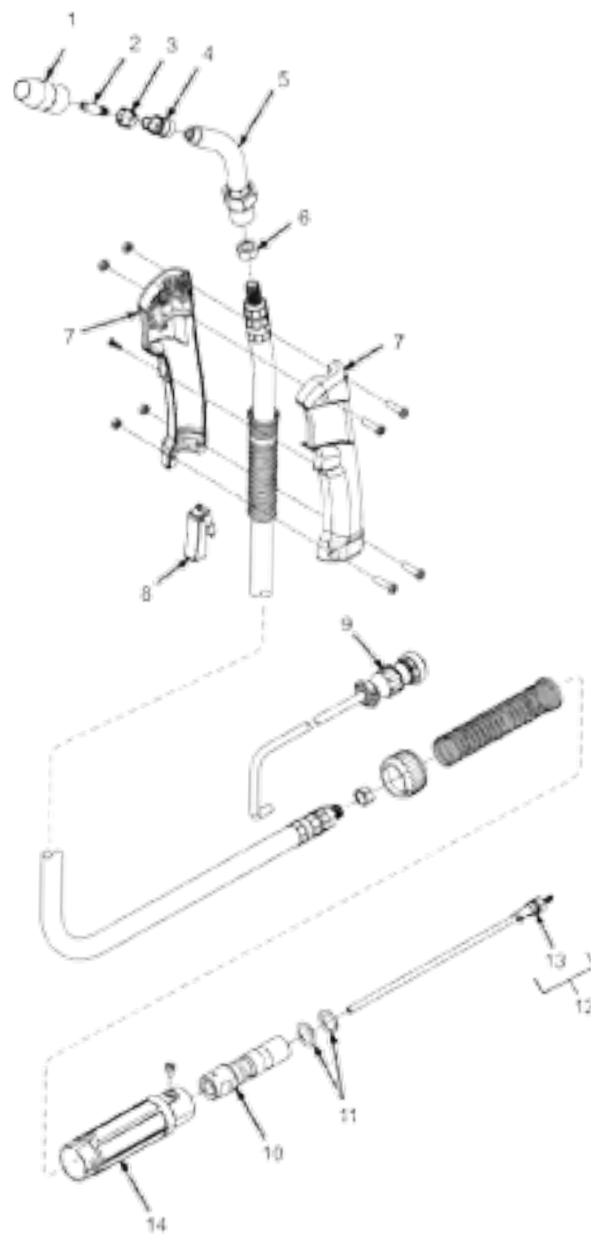
M-100/M-150 Service Parts/Consumables

Item #	Part #	Description	Quantity M-100 / M-150
	248 282	M-100 Gun, 10 ft (3 m), 100A, .030-.035 (0.8-0.9 mm)	
	249 039	M-150 Gun, 10 ft (3 m), 150A, .030-.035 (0.8-0.9 mm)	
	249 040	M-150 Gun, 12 ft (3.7 m), 150A, .030-.035 (0.8-0.9 mm)	
	249 041	M-150 Gun, 15 ft (4.6 m), 150A, .030-.035 (0.8-0.9 mm)	
1	246 372	Nozzle, slip type, .500 (12.7 mm) orf flush	1 1 (2 per pkg)
	226 190	Nozzle, slip type, flux cored	1 1
2	087 299^(B)	Tip, contact scr, .023 (0.6 mm) wire x 1.125	1 1 (10 per pkg)
	000 067^(B)	Tip, contact scr, .030 (0.8 mm) wire x 1.125	1 1 (10 per pkg)
	000 068^(B)	Tip, contact scr, .035 (0.9 mm) wire x 1.125	1 1 (10 per pkg)
	000 069^(B)	Tip, contact scr, .045 (1.2 mm) wire x 1.125	1 1 (10 per pkg)
3	170 470	Ring, retaining	1 1
4	169 716	Adapter, contact tip	1 1 (2 per pkg)
5	246 373	Tube, head	1 1
6	243 865	Nut, jam	2 2
7	246 082	Handle	1 1
8	246 376	Switch, trigger	1 1
9	079 878	Housing Plug and Pins	1 1
10	242 833	Connector, feeder	1 1
11	079 974	O-Ring, .500 ID x .103CS rbr	2 2
12	194 010	Kit, liner monocoil .023/.025 (0.6 mm) wire x 15 ft (includes)	1 1
	194 011	Kit, liner monocoil .030-.035 (0.8-0.9 mm) wire x 15 ft (includes)	1 1
	194 012	Kit, liner monocoil .035-.045 (0.9-1.2 mm) wire x 15 ft (includes)	1 1
13	079 975	O-Ring, .187 ID x .103CS rbr	1 1
14	246 380	Housing, power pin	1 1

^(B)Available in bulk quantities — see page 20 for more information.

- | | |
|--|---|
| <p>M-100 can be used on:*</p> <ul style="list-style-type: none"> ■ SideKick™ ■ SideKick™ XL/Cricket® XL/Millermatic® 90 ■ Millermatic® 130 ■ Millermatic® 130 XP ■ Millermatic® 135/140s/175/180s/DVI's/211 ■ Millermatic® Challenger™ ■ Millermatic® Challenger™ 172 ■ Millermatic® Passport™/Passport™ Plus | <p>M-150 can be used on:*</p> <ul style="list-style-type: none"> ■ SideKick™ XL/Cricket® XL/Millermatic® 90 ■ Millermatic® 120/150 ■ Millermatic® 130 ■ Millermatic® 130 XP ■ Millermatic® 135/140s/175/180s/DVI's/211 ■ Millermatic® Challenger™ ■ Millermatic® Challenger™ 172 ■ Millermatic® 185 ■ Millermatic® Pulser |
|--|---|

*For a detailed listing, please reference page 16.



M-25 Service Parts/Consumables

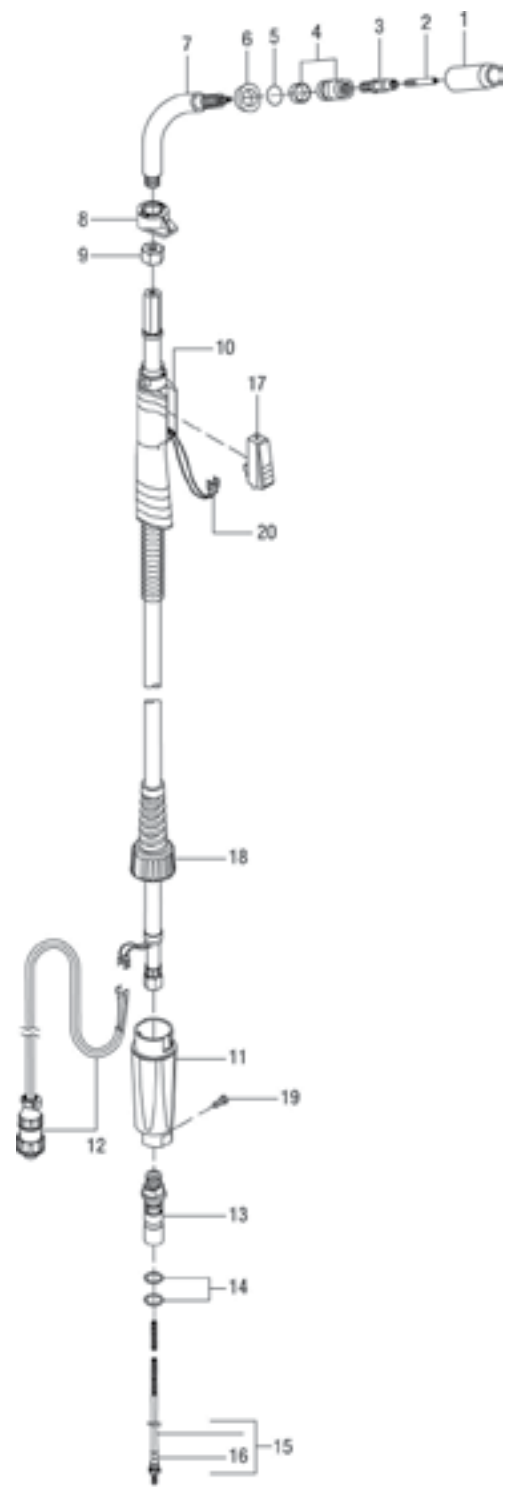
Item #	Part #	Description	Quantity
	169 594	M-25 Gun, 10 ft (3 m), 250A, .030-.035 (0.8-0.9 mm)	
	169 596	M-25 Gun, 12 ft (3.7 m), 250A, .030-.035 (0.8-0.9 mm)	
	169 598	M-25 Gun, 15 ft (4.6 m), 250A, .030-.035 (0.8-0.9 mm)	
	169 599	M-25 Gun, 15 ft (4.6 m), 250A, .035-.045 (0.9-1.2 mm)	
1	169 724^(B)	Nozzle, slip type, .500 (12.7 mm) orf .125 recess	1
	169 725^(B)	Nozzle, slip type, .625 (15.9 mm) orf .125 recess	1
	200 258	Nozzle, slip type, .500 (12.7 mm) orf flush	1
	169 726^(B)	Nozzle, slip type, .625 (15.9 mm) orf flush	1
	169 727	Nozzle, slip type, .625 (15.9 mm) orf .125 stickout	1
2	087 299^(B)	Tip, contact scr, .023 (0.6 mm) wire x 1.125	1 (10 per pkg)
	000 067^(B)	Tip, contact scr, .030 (0.8 mm) wire x 1.125	1 (10 per pkg)
	000 068^(B)	Tip, contact scr, .035 (0.9 mm) wire x 1.125	1 (10 per pkg)
	000 069^(B)	Tip, contact scr, .045 (1.2 mm) wire x 1.125	1 (10 per pkg)
	172 034¹	Tip, contact scr 3/64 (1.19 mm) wire x 1.125	1 (10 per pkg)
3	169 728^(B)	Adapter, contact tip	1 (2 per pkg)
4	169 729	Adapter, nozzle	1 (2 per pkg)
5	170 468	O-Ring	1 (10 per pkg)
6	169 730	Washer, shock	1
7	169 731	Tube, head	1
8	169 738	Nut, locking handle	2
9	169 732	Nut, jam	1
10	169 737	Handle, front	1
11	227 799	Handle, rear	1
12	227 800	Cord, trigger assembly	1
13	209 495	Connector, feeder (includes)	1
14	079 974	O-Ring, .500 ID x .103CS rbr	2
15	194 010	Kit, liner monocoil .023/.025 (0.6 mm) wire x 15 ft (includes)	1
	194 011	Kit, liner monocoil .030-.035 (0.8-0.9 mm) wire x 15 ft (includes)	1
	194 012	Kit, liner monocoil .035-.045 (0.9-1.2 mm) wire x 15 ft (includes)	1
	194 014¹	Kit, liner monocoil 3/64 (1.19 mm) aluminum wire x 15 ft (includes)	1
16	079 975	O-Ring, .187 ID x .103CS rbr	1
17	227 798	Switch, trigger	1
18	2520033	Cable strain relief 2 & 3	1
19	2280056	Screw	1
20	169 746	Terminal	1

¹Included with #172 136 Kit, Aluminum Conversion .047 in (1.2 mm)

^(B)Available in bulk quantities — see page 20 for more information.

- M-25 can be used on:***
- Millermatic® 200
 - Millermatic® 210/212/250x/251/252
 - Millermatic® 250
 - Millermatic® Vintage
 - Millermatic® Reach Wire Feeder

*For a detailed listing, please reference page 16.



MIG Bulk^(B)

Bulk Packaged Consumables Savings Center

Bulk packaged high-volume MIG consumables represent a 3% savings over our standard point-of-purchase packaging. It's a great way to pass along savings to your larger use accounts and reduce handling and space requirements. Save on consumables for the following high-volume products: GA-20C, M-Series, Roughneck®, Spoolmatic®, XR™-A & XR™-W; XR-Edge™, and XRM-15 & XRM-30.

Order Note: You must use the standard 6-digit part number followed by the letter-B to receive the bulk packaging. Example: **#000 067B**

Part #	Description	Quantity
050 622B	Nozzle, .625 (15.9 mm) x 1-5/8 lg	25
169 715B	Nozzle, slip .500 (12.7 mm) flush	10
169 724B	Nozzle, slip .500 (12.7 mm) .125 recess	10
169 725B	Nozzle, slip .625 (15.9 mm) .125 recess	10
169 726B	Nozzle, slip .625 (15.9 mm) flush	10
199 618B	Nozzle, scr .625 (15.9 mm) heavy-duty	10
000 067B	Tip, contact scr .030 (0.8 mm) wire x 1.125	100
000 068B	Tip, contact scr .035 (0.9 mm) wire x 1.125	100
000 069B	Tip, contact scr .045 (1.2 mm) wire x 1.125	100
087 299B	Tip, contact scr .023 (0.6 mm) wire x 1.125	100
094 260B	Tip, contact slip .047 (1.2 mm) wire x 4.000	100
135 424B	Tip, contact .047/61 (1.2/1.5 mm)	100
135 425B	Tip, contact .062/81 (1.5/2.1 mm)	100
135 428B	Tip, contact .030/41 (0.8/1.0 mm)	100
135 430B	Tip, contact .035/52 (0.9/1.3 mm)	100
206 189B	Tip, contact FasTip .052 (1.3 mm) or 3/64 (1.2 mm) alum wire	100
169 728B	Adapter, contact tip	25



Roughneck® Consumables

Note: Standard gun components are in blue type.

SCREW ON NOZZLES

COPPER 5/8" ORIFICE
15/16" O.D.
(#207 313)

HEAVY DUTY 5/8" ORIFICE
BRASS (#199 614) OR
COPPER (#199 618)*
*STD. ON 500/600A

HEAVY DUTY 3/4" ORIFICE
BRASS (#199 612) OR
COPPER (#199 617)

STANDARD 1/2" ORIFICE
BRASS (#199 610) OR
COPPER (#199 615)

STANDARD 5/8" ORIFICE
BRASS (#199 613) OR
COPPER (#198 855)*
*STD. ON 300/400A

STANDARD 3/4" ORIFICE
BRASS (#199 611) OR
COPPER (#199 616)

SCREW ON COPPER TAPERED NOZZLES

1/2" ORIFICE
(#209 036)

3/8" ORIFICE
(#209 035)

SLIP ON COPPER TAPERED NOZZLES

1/2" ORIFICE
(#209 033)

3/8" ORIFICE
(#209 034)

VALUE MULTI-TURN FASTIP CONTACT TIPS .023-5/64" WIRE

VALUE MULTI-TURN DIFFUSERS

FLUSH
(#199 622)

1/8" RECESS
(#199 621)

EXTRA HEAVY DUTY FASTIP CONTACT TIPS .035-1/8" WIRE

EXTRA HEAVY DUTY DIFFUSERS

FLUSH
(#199 623)

1/8" RECESS
(#198 857)

HEAVY DUTY FASTIP CONTACT TIPS .023-3/32" WIRE

STANDARD DIFFUSERS

FLUSH
(#206 196)

1/8" RECESS
STD. ON ALL GUNS
(#206 195)

.045" (#206 188)
STD. ON 300/400A

1/16" (#206 190)
STD. ON 500/600A

TAPERED FASTIP CONTACT TIPS .023-1/16" WIRE

1/4" RECESS
(#210 664)

SLIP ON TAPERED DIFFUSERS

1/8" RECESS
(#218)

STANDARD INSULATOR (#198 856)

TAPERED INSULATOR (#209 047)

GOOSENECKS

6.0" - STRAIGHT
(#213 450)

4.5" - 48° BEND
360° SWIVEL
STD. ON 300/400A
(#199 625)

6" - 48° BEND
360° SWIVEL
STD. ON 500A
(#199 626)

8" - 48° BEND
360° SWIVEL
STD. ON 600A
(#199 627)

Optional M-Series Gun Nozzles and Tips

Part #	Description	Quantity
	M-25 and M-40 Tapered Nozzles	
176 243	Nozzle, Tapered 3/8 in (9.5 mm)	1
178 386	Nozzle, Tapered 11/32 in (8.7 mm)	1
	M-25 and M-40 Tapered Contact Tips (1/4 in OD x 1.312 in)	
176 797	Contact Tip, Tapered .030 in (0.8 mm)	10
176 793	Contact Tip, Tapered .035 in (0.9 mm)	10
176 794	Contact Tip, Tapered .045 in (1.2 mm)	10
	M-25 and M-40 Heavy-Duty Spray Contact Tips (5/16 in OD x 1.125 in)	
187 117	Contact Tip, Heavy Duty .035 in (0.9 mm)	25
187 118	Contact Tip, Heavy Duty .045 in (1.2 mm)	25



Roughneck Contact Tips

(10 p/pkg)	(25 p/pkg)	Description	(10 p/pkg)	(25 p/pkg)	Description
Heavy-Duty FasTip™			Tapered FasTip™		
—	#206 184	.023 in (0.6 mm)	—	#209 024	.023 in (0.6 mm)
—	#206 185	.030 in (0.8 mm)	—	#209 025	.030 in (0.8 mm)
#223 016	#206 186	.035 in (0.9 mm)	—	#209 026	.035 in (0.9 mm)
#223 017	#206 187	.040 in (1.0 mm)	—	#209 027	.045 in (1.2 mm)
#223 018 ¹	#206 188 ¹	.045 in (1.2 mm)	—	#209 028	3/64 in (1.2 mm)
#223 019	#206 189 ^(B)	.052 in (1.3 mm) or 3/64 in (1.2 mm) alum wire	—	#209 029	.052 in (1.3 mm)
#223 200 ²	#206 190 ²	1/16 in (1.6 mm)	—	#209 030	1/16 in (1.6 mm)
—	#206 191	.068 in (1.7 mm)	Value Multi-Turn		
—	#206 192	5/64 in (2.0 mm)	—	#087 300	.023 in (0.6 mm)
—	#206 193	3/32 in (2.4 mm)	—	#071 825	.030 in (0.8 mm)
Extra Heavy-Duty FasTip™			—	#054 202	.035 in (0.9 mm)
—	#199 605	.035 in (0.9 mm)	—	#054 201	.045 in (1.2 mm)
—	#199 606	.040 in (1.0 mm)	—	#199 593	3/64 in (1.2 mm) alum wire
—	#198 851	.045 in (1.2 mm)	—	#044 006	.052 in (1.3 mm)
—	#198 852	.052 in (1.3 mm) or 3/64 in (1.2 mm) alum wire	—	#047 566	1/16 in (1.6 mm)
—	#198 853	1/16 in (1.6 mm)	—	#199 594	.068 in (1.8 mm)
—	#198 854	.068 in (1.7 mm)			
—	#199 607	5/64 in (2.0 mm)			
—	#199 609	7/64 - 1/8 in (2.8 mm)			

¹ Optional
² For all gun lengths
^(B) Available in bulk quantities — see page 20 for more information.



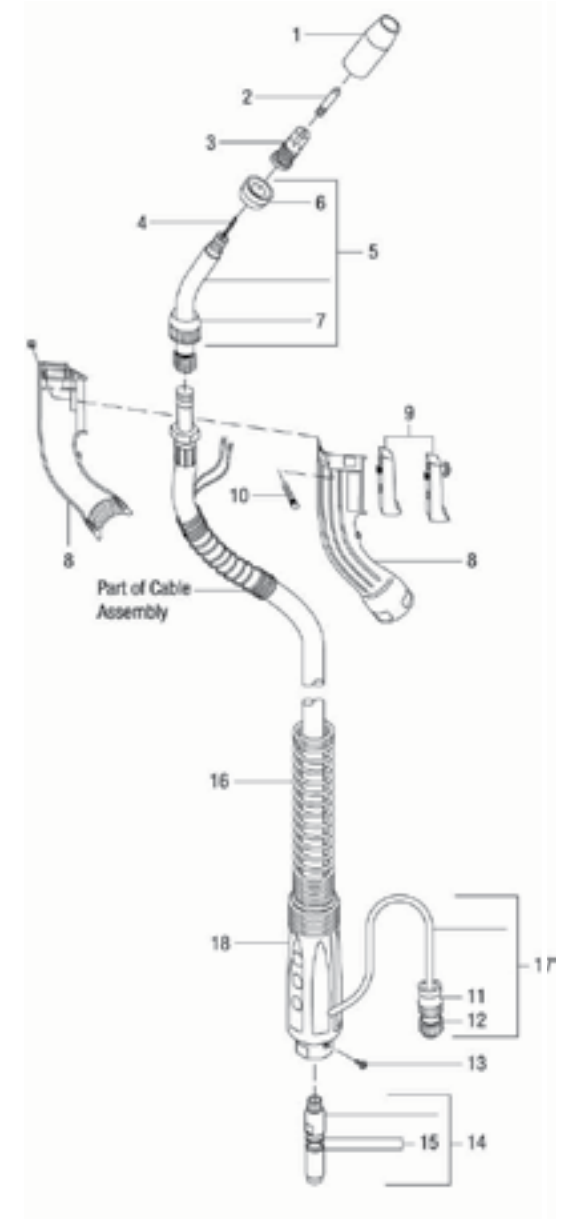
Roughneck® C-Series Service Parts/Consumables

Item #	Part #	Description	Quantity
1*	198 855	Nozzle, scr type copper 5/8 in orifice	1
	199 618²	Nozzle, scr type copper 5/8 in orifice heavy-duty	1
2*	223 018¹	Tip, contact, .045 in (1.2 mm) heavy-duty FasTip™	1 (10 per pkg)
	206 188¹	Tip, contact, .045 in (1.2 mm) heavy-duty FasTip™	1 (25 per pkg)
	223 200²	Tip, contact, 1/16 in (1.6 mm) heavy-duty FasTip™	1 (10 per pkg)
	206 190²	Tip, contact, 1/16 in (1.6 mm) heavy-duty FasTip™	1 (25 per pkg)
3*	206 195³	Diffuser, gas 1/8 in tip recess – for standard and heavy-duty FasTip™	1
4	202 889	Liner, monocoil .023–.030 wire x 15 ft round wound	1
	202 890¹	Liner, monocoil .035–.045 wire x 15 ft round wound	1
	202 891²	Liner, monocoil .052–1/16 wire x 15 ft round wound	1
	202 892	Liner, monocoil 1/16–.078 wire x 15 ft flat wound	1
	202 893	Liner, monocoil 5/64–3/32 wire x 15 ft flat wound	1
	202 894	Liner, monocoil 7/64–1/8 wire x 15 ft flat wound	1
	202 895	Liner, monocoil 3/64–1/16 wire x 15 ft aluminum wires	1
5	199 625	Gooseneck, jacketed 4.5 in/50° wrench swivel (C-30 / C-40) (includes)	1
	199 626	Gooseneck, jacketed 6 in/50° wrench swivel (C-50) (includes)	1
	199 627	Gooseneck, jacketed 8 in/50° wrench swivel (C-60) (includes)	1
	213 450	Gooseneck, jacketed 6 in/straight (optional for C-30 / C-40 / C-50 / C-60) (includes)	1
6	198 856³	Insulator, rubber	1
7	202 292	Cover, nut	1
8	199 630	Handle, small pair flared P style (C-30 / C-40 includes)	1
8	199 631	Handle, large pair (C-50 / C-60 includes)	1
	199 634	Screw, M3 x 11 (for #199 630 C-30 / C-40 Handle only)	1
	199 635	Nut, M3 Hex (for #199 630 C-30 / C-40 Handle only)	1
	199 632	Screw, M4 x 18	4
	199 633	Nut, M4 square	4
	199 647 (N/A)	Label, gun handle Miller Roughneck	2
9	199 628	Switch, blue trigger	1
	199 661	Switch, locking trigger (optional)	1
10	199 629	Switch, contact pin	2
11	079 531	Conn, circ cpc clamp str rlf size 11.453 OD	1
12	079 878	Housing plug + pins (service kit)	1
13	199 637	Screw, machine binding head	1
14	199 640	Adapter, Miller power pin (includes)	1
15	079 974	O-ring, Miller power pin	2
16	2520033	Cable Strain Relief 2 & 3 (300 Amp)	1
	2520041 (N/A)	Strain Relief Assy – Contact Bernard (400, 500, 600 Amp)	
17	GN2021	Electrical Plug – Non D/S (Includes items 11 & 12)	1
18	227 650	Strain Relief, Rear (works on all Amp guns)	1

Aluminum Adapter Kit #202 895
Steel wrapped nylon liner allows 10 ft Roughneck welding guns to feed 3/64–1/16 in (1.2–1.6 mm) aluminum wire.

Tweco No. 3, 4 & 5 Upgrade Kit #214 893⁴
Upgrades Tweco No. 3, No. 4, and No. 5 guns to use Roughneck consumables. Includes insulator and diffuser.

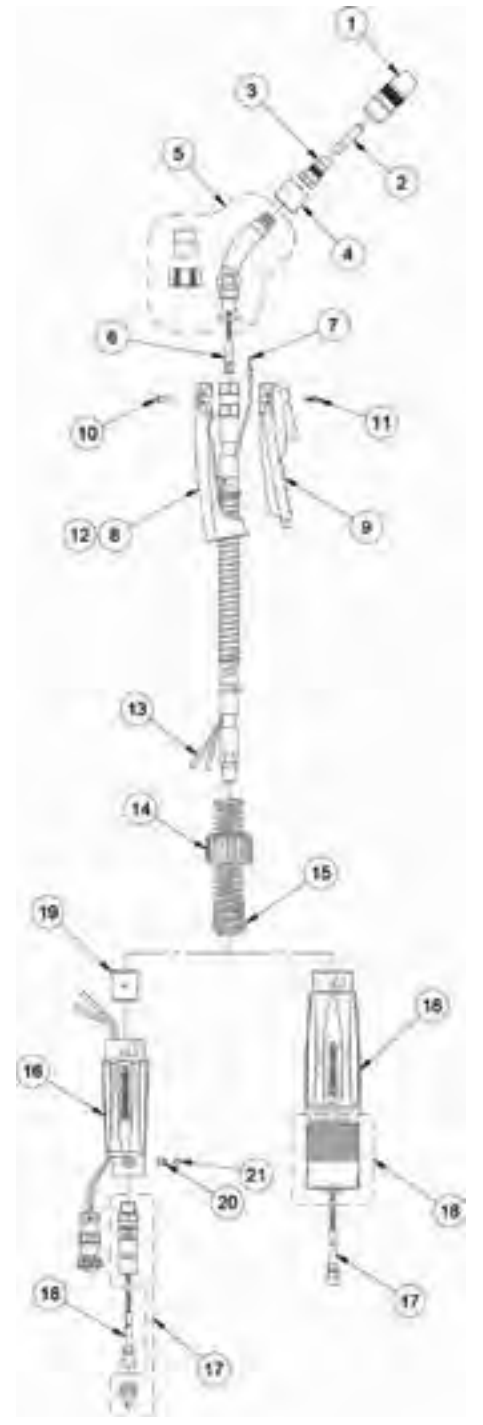
¹Standard on 300 and 400 amp guns
²Standard on 500 and 600 amp guns
³Standard on all guns
⁴Nozzle (SCR type) and contact tip not included.
*Items 1, 2 & 3 will work on Bernard as a set.
Note: For a complete listing of Roughneck consumables see page 21.
Contact Bernard at 1-855-MIGWELD (644-9353) for replacement Roughneck C-Series gun.



Bernard™ 150 Amp Q-Gun™ MIG Gun Service Parts/Consumables

Item #	Part #	Description
	Q1510AB88BM	150A Q-Gun, 10 ft
1	NS-1200B	Nozzle Assy
2	T-030	Contact Tip
3	DS-1	Gas Diffuser
4	4323R	Cap
5	QT2-45	Neck
6	QJL-2330	Jump Liner
7	2660001	Terminal, Quick Disconnect (2 Req'd)
8	1780062	Handle Half, Upper
9	2620054	Switch Assy, Handle Half, Lower
10	4207	Post Fastener (2 Req'd)
11	4209	Handle Screw (2 Req'd)
12	1880194	Handle Kit - Includes: (1) #8, (1) #9, (2) #10, (2) #11
13	4932	Butt Connector (2 Req'd)
14	2520007	Cap, Rigid Strain Relief
15	2520048	Spring, Strain Relief
16	2520047M	Strain Relief with Trigger Cable Adapter
17	2200101	Miller Power Pin Assembly
18	43015	Liner
19	1010027	Adapter Block (Not Req'd on Bernard or Euro Direct Plug)
20	2280056	Screw, Strain Relief (Not Req'd on Bernard Direct Plug)
21	1620003	Screw Cover, Strain Relief (1 Req'd)

For additional parts call Bernard at 1-855-MIGWELD (644-9353).



For other products not listed in catalog, please contact Bernard at 1-855-MIGWELD (644-9353) or visit Bernardwelds.com



Bernard™ 300 Amp Q-Gun™ MIG Gun

Service Parts/Consumables

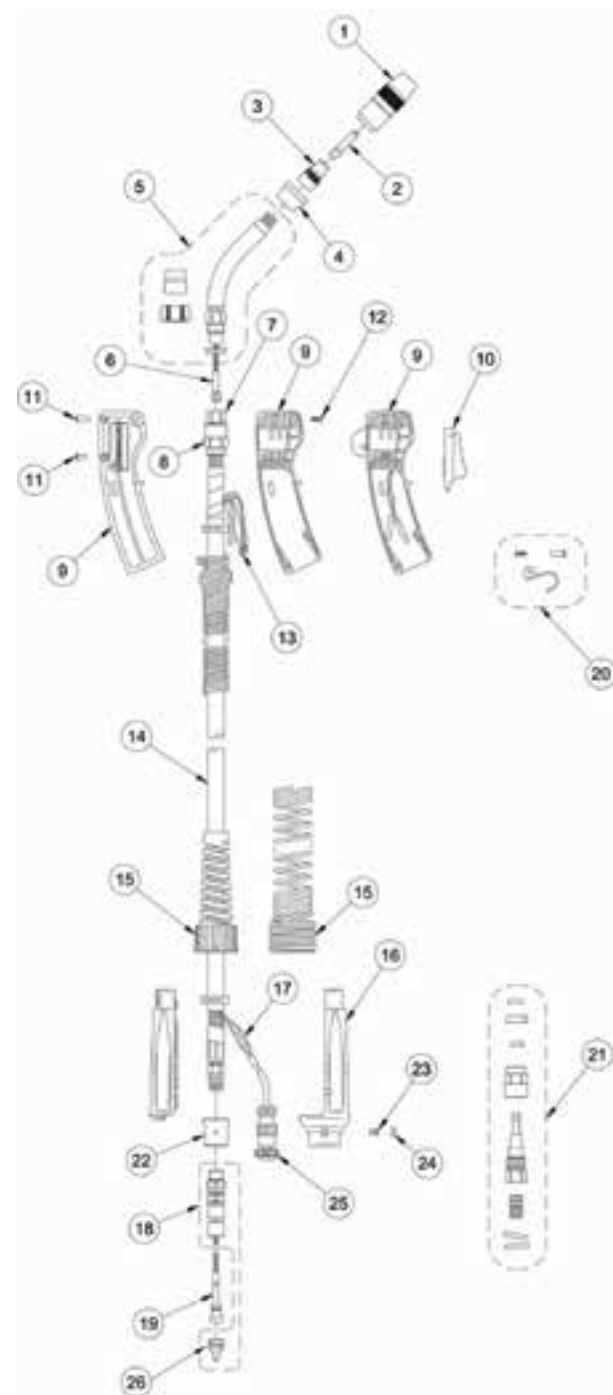
Item #	Part # Q3015AE8XM	Part # Q3015AE8HM	Description
1	N-5800C	NS-5818C	Centerfire Nozzle
2	T-045	T-052	Centerfire Contact Tip
3	D-1	DS-1	Centerfire Gas Diffuser
4	10012	4323R	Insulator Cap
5	QT3-45		Neck
6	QJL-3545	QJL-116	Jump Liner
7	4213B		Stay-Tite™ End Fitting
8	4305		Stay-Tite™ Cone Nut
NS	4991		Conduit Clamp (2 Req'd)
NS	4823		Jacket Clamp (2 Req'd)
9	1880155*		Handle Kit, Standard
10	5662		Trigger, Standard
11	4207		Post Fastener (1 Req'd)
	2030004		Post Fastener, Short (4 Req'd)
12	4209		Handle Screw (5 Req'd)
13	2660001		Terminal, Quick Disconnect (2 Req'd)
14	1060111		Replacement Cable with Fittings, 15' (4.57 m)
15	2520033		Strain Relief
16	2520066		Rigid Strain Relief Kit (Includes Top & Bottom Halves)
17	4932		Butt Connector
18	2200101		Miller Power Pin Assembly
19	44115	44215	Liner
20	1790002		Hang Up Hook Kit
21	1983Q*		Rear Stay-Tite™ Repair Kit
22	1010027		Adapter Block
23	2280056		Screw, Strain Relief
24	1620003		Screw Cover, Strain Relief
25	GN2021		Electrical Plug
26	4477		Power Pin Tip

*1880155 Handle Kit includes halves, screws and posts.
 *1983Q Rear Stay-Tite Repair Kit includes jacket clamp, conduit clamp, cone nut, end fitting, nipple, spacer and butt connectors.

300 Amp Q-Gun™ MIG Gun, Miller Connection

Part #	Intergrated Miller Product	Standard Configuration	Cable Length	Duty Cycle
Q3015AE8XM	22A and 24A Feeders, Millermatic 350/350P	.045" (1.2 mm), Flush Tip	15' (4.57 m)	100%
Q3015AE8HM	Suitecase 8RC, 8VS, X-TREME 8VS, 12RC, X-TREME 12VS MIG Packages	.052" (1.4 mm)	15' (4.57 m)	100%

Q3015AE8XM can be converted to run .035" (0.9 mm) wire by simply changing the contact tip.
 Q3015AE8HM can be converted to run .045" (1.2 mm) or 1/16" (1.6 mm) wire.



Bernard™ 400 Amp Q-Gun™ MIG Gun

Service Parts/Consumables

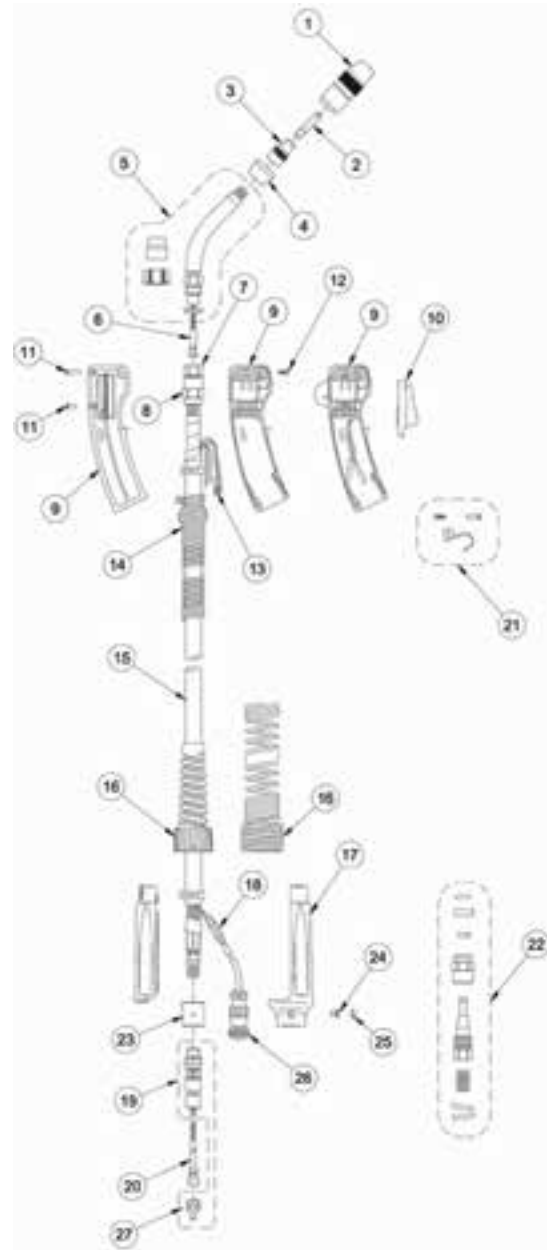
Item #	Part # Q4015AE8EM	Description
1	N-5818C	Centerfire Nozzle
2	T-045	Centerfire Contact Tip
3	D-1	Centerfire Gas Diffuser
4	10012	Insulator Cap
5	QT3-45	Neck
6	QJL-3545	Jump Liner
7	4213B	Stay-Tite™ End Fitting
8	1540003	Stay-Tite™ Cone Nut
NS	1520017	Conduit Clamp (2 Req'd)
NS	4939	Jacket Clamp (2 Req'd)
9	1880155	Handle Kit, Standard
10	5662	Trigger, Standard
11	4207	Post Fastener (1 Req'd)
12	4209	Handle Screw (5 Req'd)
13	2660001	Terminal, Quick Disconnect (2 Req'd)
14	2520042	Handle Spring
15	1060117	Replacement Cable with Fittings, 15' (4.57 m)
16	2520041	Strain Relief
17	2520066	Rigid Strain Relief Kit (Includes Top & Bottom Halves)
18	4932	Butt Connector
19	2200101	Miller Power Pin Assembly
20	44115	Liner
21	1790002	Hang Up Hook Kit
22	1984Q*	Rear Stay-Tite™ Repair Kit
23	1010027	Adapter Block
24	2280056	Screw, Strain Relief
25	1620003	Screw Cover, Strain Relief
26	GN2021	Electrical Plug
27	4477	Power Pin Tip

*1984Q Rear Stay-Tite Repair Kit includes jacket clamp, conduit clamp, cone nut, end fitting, nipple, spacer & butt connectors.

400 Amp Q-Gun™ MIG Gun, Miller Connection

Part #	Intergrated Miller Product	Standard Configuration	Cable Length	Duty Cycle
Q4015AE8EM	70 Series, R-115 Feeders, All Access feeders	.045" (1.2 mm)	15' (4.57 m)	100%

Gun can be converted to run .035" (0.9 mm) wire by simply changing the contact tip.



For other products not listed in catalog, please contact Bernard at 1-855-MIGWELD (644-9353) or visit Bernardwelds.com



For other products not listed in catalog, please contact Bernard at 1-855-MIGWELD (644-9353) or visit Bernardwelds.com



Bernard™ 500 Amp Q-Gun™ MIG Gun

Service Parts/Consumables

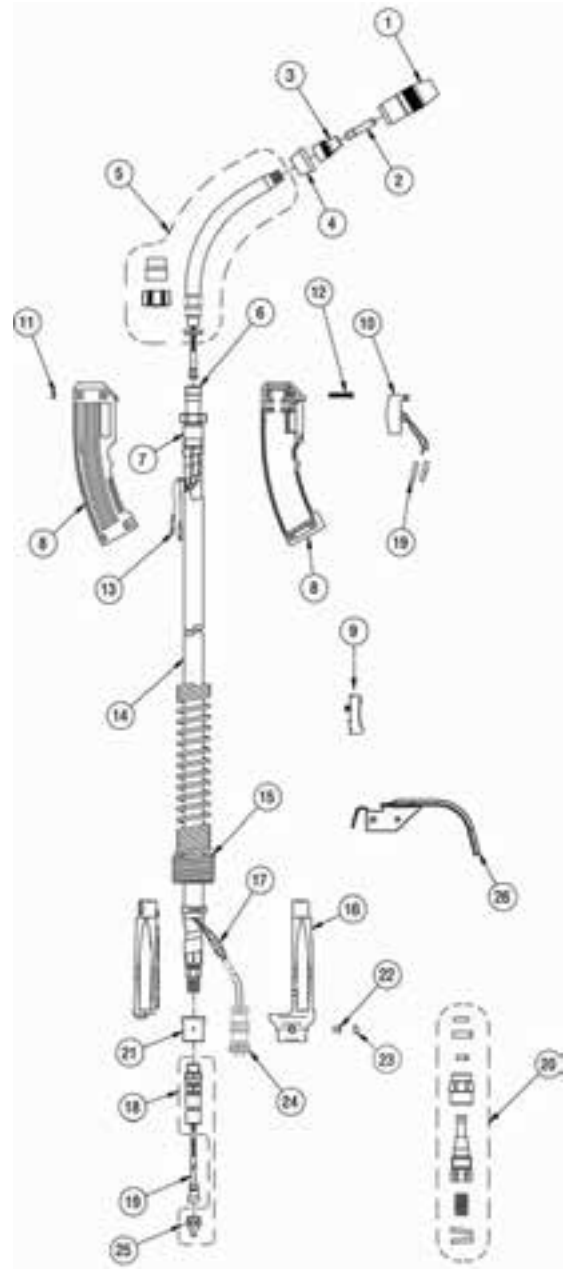
Item #	Part#	Description
1	N-5814C	Centerfire Nozzle
2	T-094	Centerfire Contact Tip
3	D-1	Centerfire Gas Diffuser
4	10012	Insulator Cap
5	QT5-60	Neck
6	1680050	Stay-Tite™ End Fitting
7	1540004	Stay-Tite™ Cone Nut
NS	4993	Conduit Clamp (2 Req'd)
NS	4944	Jacket Clamp (2 Req'd)
8	1880220*	Handle Kit, Standard
9	177488	Trigger, Standard
10	177272	Nut, Square (4 Req'd)
11	4209	Handle Screw (5 Req'd)
12	203296-005	Screw (4 Req'd)
13	177271	Trigger Pin (2 Req'd)
14	2520066	Rigid Strain Relief Kit (Includes Top & Bottom Halves)
15	2520041	Strain Relief
16	2520066	Rigid Strain Relief Kit (Includes Top & Bottom Halves)
17	4932	Butt Connector
18	2200101	Miller Power Pin Assembly
19	45415	Liner
20	1985*	Rear Stay-Tite™ Repair Kit
21	1010027	Adapter Block
22	2280056	Screw, Strain Relief
23	1620003	Screw Cover, Strain Relief
24	GN2021	Electrical Plug
25	4477	Power Pin Tip
26	KT177353 (N/A)	Heat Shield Kit

*1880220 Handle Kit includes halves, screws and nuts.
 *1985 Rear Stay-Tite Repair Kit includes jacket clamp, conduit clamp, Stay-Tite cone nut, Stay-Tite end fitting, nipple, spacer and butt connectors.

500 Amp Q-Gun™ MIG Gun, Miller Connection

Part #	Intergrated Miller Product	Standard Configuration	Cable Length	Duty Cycle
Q5015G18LM	Steel Runner™ 650	3/32" (2.4 mm)	15' (4.57 m)	100%

Gun can be converted to run .035" (0.9 mm) wire by simply changing the contact tip.



Liners for Bernard™ 300, 400 & 500 Amp Q-Gun™ & S-Gun™ MIG Guns

Service Parts/Consumables

Standard Liners			
Wire Size	Gun Amperage	10' (3.05 m)	15' (4.57 m)
.023 - .030 (.6 mm - .8 mm)	150A-600A	N/A	43015
.035 - .045 (.9 mm-1.2 mm)	150A-600A	43110	43115
	200A-600A	44110	44115
.045 - 1/16 (1.2 mm - 1.6 mm)	200A-600A	44210	44215
	200A-400A	N/A	1920356
5/64 (2.0 mm - 1.6 mm)	500A-600A	N/A	44315
3/32 (2.4 mm)	500A-600A	N/A	45415
7/64 (2.8 mm)	600A	N/A	45615
1/8 (3.2 mm)	600A	N/A	46715

Aluminum/Soft Wire Liners			
Wire Size	Gun Amperage	10' (3.05 m)	15' (4.57 m)
.035 (.9 mm)	150A 600A Nylon	N/A	43015X
	200A-600A Steel	N/A	1920343
3/64 (1.2 mm)	200A-600A Nylon	N/A	43115X
	200A-600A Steel	N/A	1920344
1/16 (1.6 mm)	200A-600A Nylon	N/A	44215X
	200A-600A Steel	N/A	1920345

Centerfire™ Consumable Series for 300, 400 & 500 Amp Q-Gun™ & S-Gun™ MIG Guns

Service Parts/Consumables

Small Centerfire™ Gas Diffusers and Nozzles

NS-5800C (5/8" I.D., Flush, Copper)
 NS-5818C (5/8" I.D., 1/8" Rec., Copper)
 NS-5800B (5/8" I.D., Flush, Brass)
 NS-5818B (5/8" I.D., 1/8" Rec., Brass)

NS-1218C (1/2" I.D., 1/8" Rec., Copper)
 NS-1200B (1/2" I.D., Flush, Brass)
 NS-1218B (1/2" I.D., 1/8" Rec., Brass)

NS-FLX Self-Shielded Conversion Kit (Includes tip holder and both insulators)

NS-3800B (3/8" I.D., Flush, Brass)
 NS-3818B (3/8" I.D., 1/8" Rec., Brass)
 NS-38XTB (3/8" I.D., 1/8" Extension, Brass)

Large Centerfire™ Gas Diffusers and Nozzles

N-3400C (3/4" I.D., Flush, Copper)
 N-3418C (3/4" I.D., 1/8" Rec., Copper)
 N-3414C (3/4" I.D., 1/4" Rec., Copper)
 N-3418B (3/4" I.D., 1/8" Rec., Brass)
 N-3414B (3/4" I.D., 1/4" Rec., Brass)

N-5800C (5/8" I.D., Flush, Copper)
 N-5818C (5/8" I.D., 1/8" Rec., Copper)
 N-5814C (5/8" I.D., 1/4" Rec., Copper)
 N-5818B (5/8" I.D., 1/8" Rec., Brass)
 N-5814B (5/8" I.D., 1/4" Rec., Brass)

NT-3800C (3/8" I.D., Flush, Copper)

T Series Tip

T-023	.023" (.6 mm)
T-030	.030" (.8 mm)
T-035	.035" (.9 mm)
T-039	.039" (1.0 mm)
T-045	.045" (1.2 mm)
T-052	.052" (1.4 mm)
T-062	.115" (1.6 mm)
T-072	.072" (1.8 mm)
T-078	.078" (2.0 mm)
T-094	.094" (2.4 mm)
T-108	.108" (2.8 mm)
T-126	.126" (3.2 mm)

TT Series Tip

TT-023	.023" (.6 mm)
TT-030	.030" (.8 mm)
TT-035	.035" (.9 mm)
TT-039	.039" (1.0 mm)
TT-045	.045" (1.2 mm)
TT-052	.052" (1.4 mm)
TT-062	.115" (1.6 mm)



For other products not listed in catalog, please contact Bernard at 1-855-MIGWELD (644-9353) or visit Bernardwelds.com



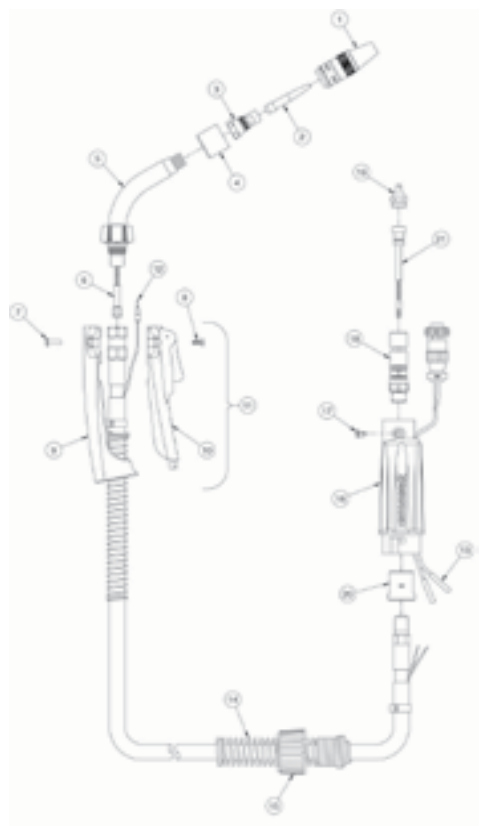
For other products not listed in catalog, please contact Bernard at 1-855-MIGWELD (644-9353) or visit Bernardwelds.com



Pipeworx

Q-Gun™ MIG Gun
Part# 195399 - 250 Amp 15ft Gun
Service Parts/Consumables

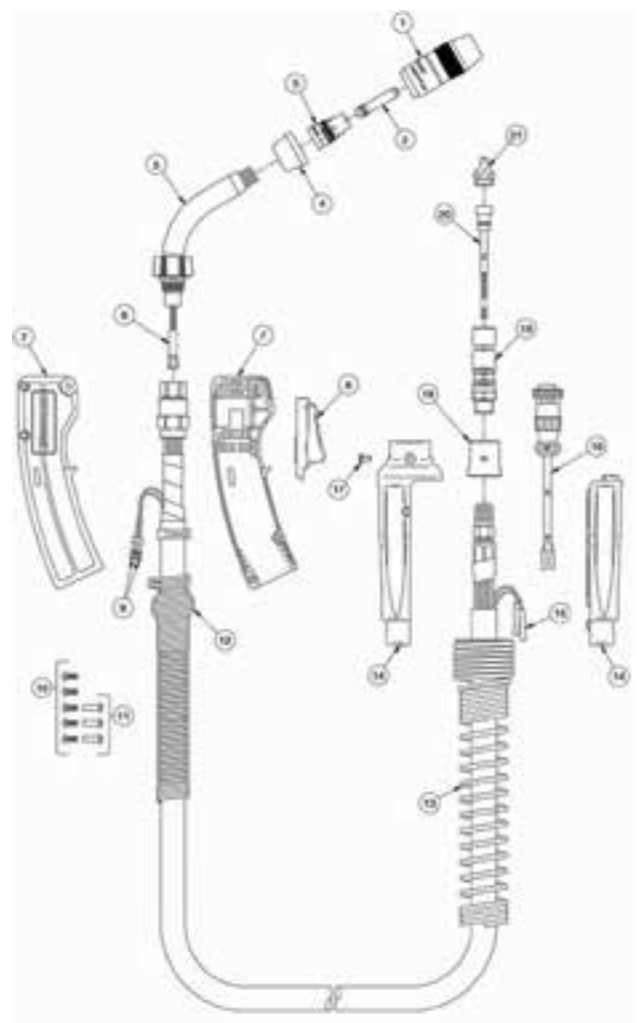
Item #	Part#	Description
1	NST-3800B	Nozzle
2	TT-035	Contact Tip
3	DS-1	Diffuser
4	4323R	Cap
5	QT2-60	Neck
6	QJL-3545	Jump Liner
7	4207	Post Fastener
8	4209	Screw
9	1780062	Handle Half, Upper
10	2620054	Switch Assy. & Lower Handle Half
11	1880194	Handle Kit (Items 7-10)
12	2660001	Terminal
13	4932	Butt Connector
14	2520048	Spring
15	2520007	Cap, Strain Relief
16	2520047M	Strain Relief Assy. (with plug)
17	2280056	Screw
18	22001101	Power Pin Assy.
19	4477	Power Pin Tip
20	1010027	Adapter Block
21	43115	Liner



Pipeworx

Q-Gun™ MIG Gun
Part# 300240 - 400 Amp 15ft Gun
Service Parts/Consumables

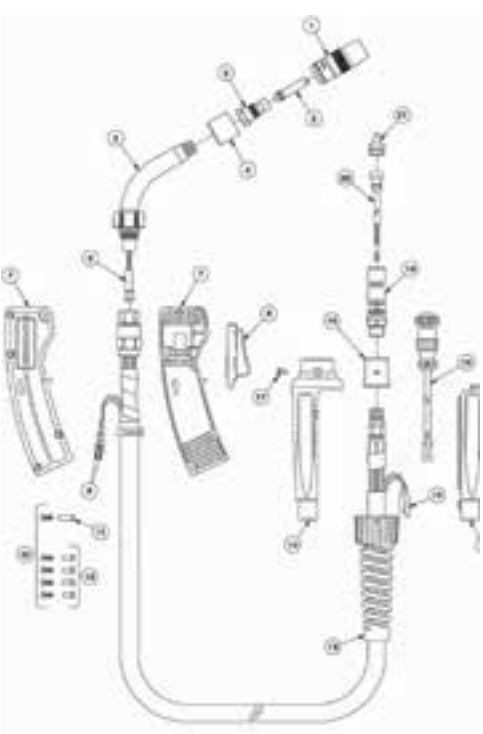
Item #	Part#	Description
1	NS-5818C	Nozzle
2	T-045	Contact Tip
3	D-1	Diffuser
4	10012	Cap
5	QT2-60	Neck
6	QJL-3545	Jump Liner
7	1880198	Handle Kit (Incl. Handle & Items 10, 11, 12)
8	5662	Trigger
9	2660001	Terminal
10	4209	Screw
11	4207	Post Fastener, Long
12	2520042	Handle Spring
13	2520041	Strain Relief
14	2520066	Strain Relief Set
15	4932	Butt Connector
16	GN2021	Electrical Connection
17	2280056	Screw
18	1010027	Adapter Block
19	2200101	Power Pin Assy.
20	43115	Liner
21	4477	Power Pin Tip



Pipeworx

Q-Gun™ MIG Gun
Part# 195400 - 300 Amp 15ft Gun
Service Parts/Consumables

Item #	Part#	Description
1	NS-5818C	Nozzle
2	T-045	Contact Tip
3	DS-1	Diffuser
4	4323R	Cap
5	QT2-60	Neck
6	QJL-3545	Jump Liner
7	1880155	Handle Kit (Incl. Handle & Items 10, 11, 12)
8	5662	Trigger
9	2660001	Terminal
10	4209	Screw
11	4207	Post Fastener, Long
12	2030004	Post Fastener, Short
13	2520033	Strain Relief
14	2520066	Strain Relief Set
15	4932	Butt Connector
16	GN2021	Electrical Connection
17	2280056	Screw
18	1010027	Adapter Block
19	2200101	Power Pin Assy.
20	43115	Liner
21	4477	Power Pin Tip



For other products not listed in catalog, please contact Bernard at 1-855-MIGWELD (644-9353) or visit Bernardwelds.com



For other products not listed in catalog, please contact Bernard at 1-855-MIGWELD (644-9353) or visit Bernardwelds.com



PipePro® Dura-Flux™ XC Service Parts/Consumables

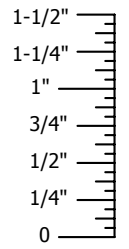
Item #	Part #	Description
1	7010062	Insulator, Tip
2	T1116	Contact Tip, Quik Tip, 1/16" (1.6 mm) (Installed On Gun)
	T1564	Contact Tip, Quik Tip, 5/64" (2.0 mm) (Included w/Gun)
3	1370240	"Q" Neck, Sleeved, 6" (15.2 cm) x 60'
4	QJL-116	Jump Liner, .045-1/16" (Installed On Gun)
	QJL-116	Jump Liner, 5/64" (Included w/Gun)
5	1760011	Heat Shield
6	2280047 (N/A) ¹	Screw, #8-32 x 1-1/2 (2 Req'd)
7	2030030 (N/A) ¹	Nut, #8-32 (2 Req'd)
8	4209	Handle Screw (4 Req'd)
9	4207	Post Fastener (4 Req'd)
10	5662	Switch Assy, Trigger
11	1880256	Handle Kit, D/S Trigger (Includes: Handle Halves w/ Toggle, (4) #9 & (4) #10)
12	2660001	Terminal, Quick Disconnect (2 Req'd)
13	2520056	Spring, Strain Relief
14	4932 (N/A) ¹	Butt Connector (2 Req'd)
15	1010027	Adapter Block (Not Req'd on Euro Direct Plug)
16	20006A	Electrical Plug-D/S (Not Req'd on Euro Direct Plug)
17	2520066	Rigid Strain Relief
18	2280056	Screw, Strain Relief
19	1620003 (N/A) ¹	Screw Cover, Strain Relief
20	1880251	Miller Power Pin Kit - Includes: (1) #26 & (1) #31
21	2200131	Power Pin, Miller
22	396	Set Screw, Liner
23	444710	Liner Assembly, .045-1/16", 10' (3.05 m) (Installed On Gun)
	444815	Liner Assembly, 5/64", 15' (4.57 m) (Included w/Gun)

¹Part is only available through Bernard 1-855-MIGWELD (644-9353).
For additional parts call Bernard at 1-855-MIGWELD (644-9353).

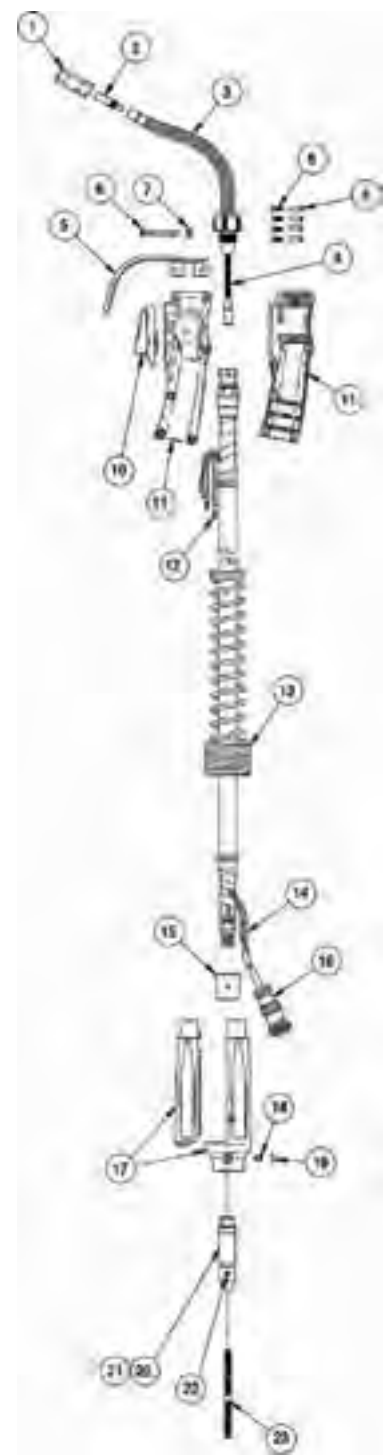
Liner Replacement Instructions and Services

Removing Existing Liner
Turn off power. Remove neck from gun assembly. Lay cable straight. Loosen liner retention set screw on the power pin. Grasp liner which protrudes from power pin and remove from cable assembly.

Install Replacement Liner
Insert liner into power pin with cable laying straight. Position the liner so that it extends approximately 1" (25.4 mm) beyond the gun handle. Tighten liner retention set screw to secure liner to cable assembly. Make sure cable is straight before trimming liner. Trim and deburr the front of the liner with 1/4" (6.4 mm) extending beyond the gun handle and reinstall neck. Trim and deburr the back end of the liner with 1/8" (3.2 mm) extending beyond the power pin.



Service
Inspect for excessive wear and debris on the inside diameter. Do not dip liner in solvents for cleaning. Liner may be periodically blown out with shop air. Replace with new liner when excessive wear or debris produces poor electrode feed.

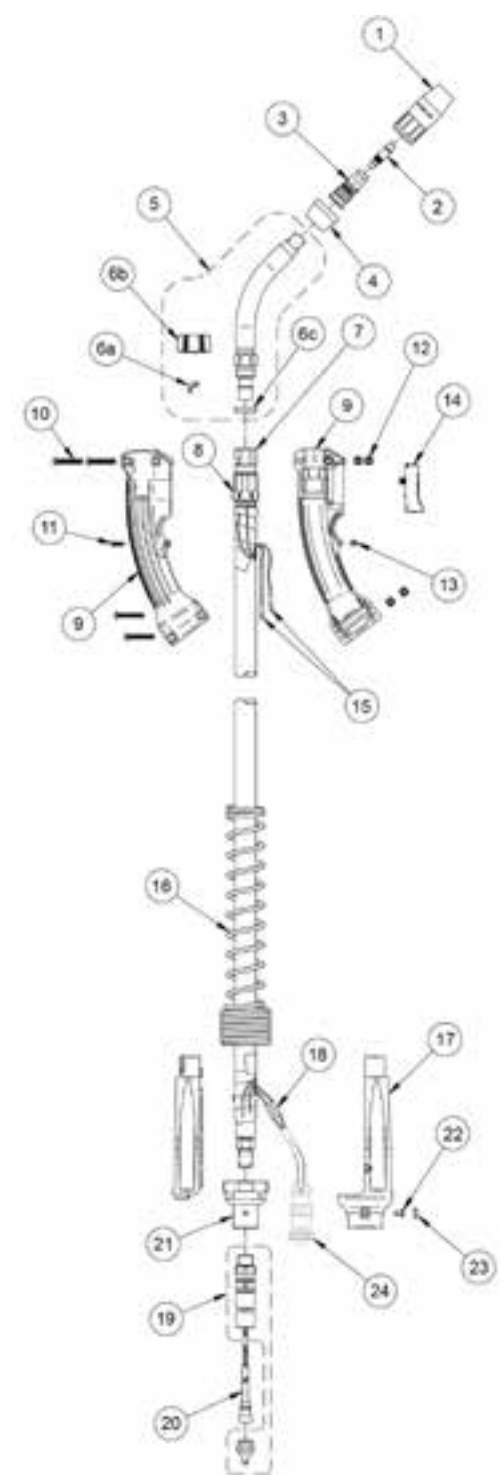


For other products not listed in catalog, please contact Bernard at 1-855-MIGWELD (644-9353) or visit Bernardwelds.com

Bernard™ S-Gun™ 250 Amp MIG Gun Service Parts/Consumables

Item #	Part #	Description
1	S2515TE5EM	Nozzle Assy.
2	N1C58Q (N/A) ¹	Contact Tip, Quik Tip, .045" (1.2 mm)
	T1045 (N/A) ¹	Contact Tip, Quik Tip, .052" (1.4 mm)
	T1052 (N/A) ¹	Contact Tip, Quik Tip, .052" (1.4 mm)
3	D118Q (N/A) ¹	Gas Diffuser
4	10012	Cap
5	QT3-45L (N/A) ¹	Neck, Rotatable/Locking, Medium
6A	1680074-2 (N/A) ¹	End Fitting Lock (Included with Neck)
6B	1840057	Hand Nut (Included with Neck)
6C	1840031	Insulator (Included with Neck)
7	1680074-1 (N/A) ¹	Stay-Tite™ End Fitting
8	1540007	Stay-Tite™ Cone Nut
NS	407709-013 (N/A) ¹	Jacket Clamp (2 Req'd)
9	1880219 (N/A) ¹	Handle Kit - Std. Trigger
10	203296-005	Handle Screw, Large (4 Req'd)
11	2280044 (N/A) ¹	Handle Screw, Small
12	177272 (N/A) ¹	Handle Nut (4 Req'd)
13	2030029 (N/A) ¹	Handle Nut, Small
14	177488 (N/A) ¹	Trigger, Standard
15	177271 (N/A) ¹	Trigger Pin (2 Req'd)
16	2520056	Spring Strain Relief
17	2520056 (N/A) ¹	Strain Relief
18	2520066 (N/A) ¹	Butt Connector
19	1199M (N/A) ¹	Miller Power Pin Assembly
20	44215	Liner
21	1010036 (N/A) ¹	Adapter Block
22	2280056	Screw, Strain Relief
23	1620003 (N/A) ¹	Screw Cover, Strain Relief
24	GN2021	Electrical Plug - Non D/S

¹Part is only available through Bernard 1-855-MIGWELD (644-9353).



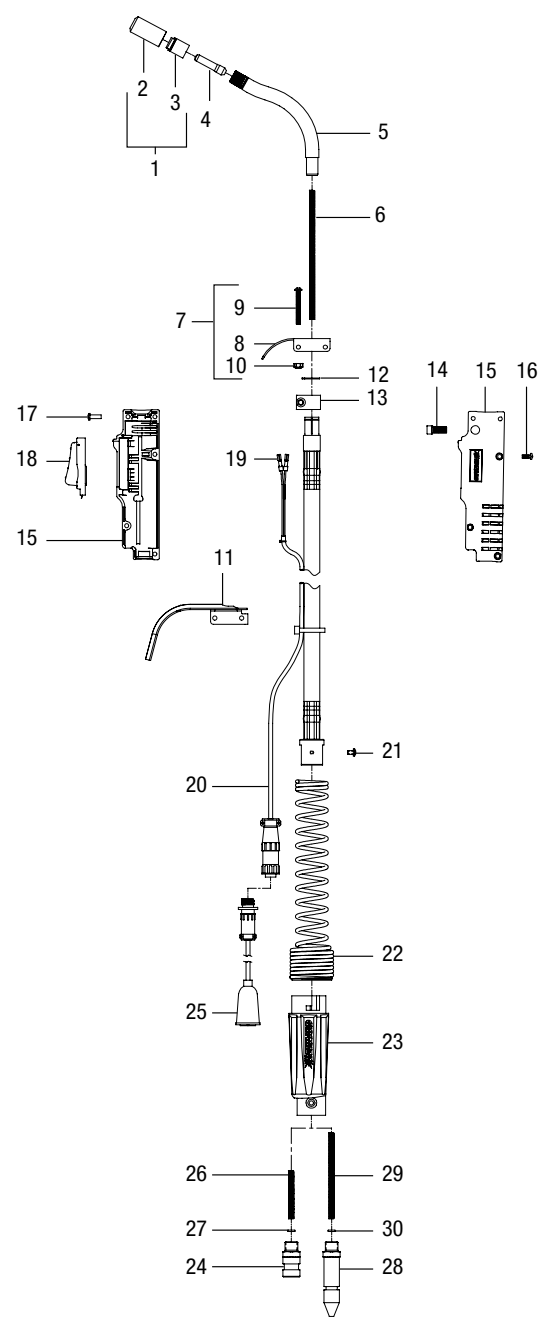
For other products not listed in catalog, please contact Bernard at 1-855-MIGWELD (644-9353) or visit Bernardwelds.com

Bernard™ Dura-Flux™ with Fixed Power Cable Liner

Service Parts/Consumables

Item #	Part #	Description	Quantity
	FLX3515AM	Gun Assembly	
1	1880229	Tip Holder Kit (includes)	1
2	7010024	Insulator, Tip	1
3	7010026	Tip Holder, Slip-On	1
4	T-062	Centerfire Contact Tip, 1/16" (1.6 mm)	1
	T-072	Centerfire Contact Tip, .072" (1.8 mm) (Included w/Gun)	1
	T-078	Centerfire Contact Tip, 5/64" (2.0 mm) (Included w/Gun)	1
	T-094	Centerfire Contact Tip, 3/32" (2.4 mm) (Included w/Gun)	1
5		Neck Replacement Kit (includes) ¹	1
	1880232	Sleeved, 6" (15.2 cm) x 30°	1
	1880222	Sleeved, 6" (15.2 cm) x 60° (Pictured)	1
	1880230 (N/A) ²	Sleeved, 8" (20.3 cm) x 90°	1
	1880223	Sleeved, 12" (30.5 cm) x 30°	1
	1880231	Sleeved, 12" (30.5 cm) x 60°	1
	1880236	Aluminum Armored, 6" (15.2 cm) x 30°	1
	1880233	Aluminum Armored, 6" (15.2 cm) x 60°	1
	1880235	Aluminum Armored, 8" (20.3 cm) x 90°	1
	1880234	Aluminum Armored, 12" (30.5 cm) x 30°	1
	1880237 (N/A) ²	Aluminum Armored, 12" (30.5 cm) x 60°	1
6	7010031	Neck Liner, 6" (15.2 cm)	1
	7010032	Neck Liner, 12" (30.5 cm)	1
7	1880224 (N/A) ²	Trigger Guard Kit (includes)	
8	7010034	Trigger Guard	1
9	2280047 (N/A) ²	Screw, #8-32 x 1-1/2 (2 Req'd)	2
10	2030030 (N/A) ²	Nut, #8-32 (2 Req'd)	2
11	1760002	Heat Shield (Optional)	1
12	2250017	Snap Ring	1
13	198820	Clamp	1
14	2280046	Screw, 1/4-20, Hex Socket	1
15	1880225	Handle Kit (includes)	1
		Handle Halves	
16	4209	Handle Screw	3
17	2030004 (N/A) ²	Post Fastener	3
18	5662	Switch Assy, Trigger	1
19	2660001	Terminal, Quick Disconnect	2
20	7010018	Cord Assembly, 10' (3.05 m)	1
	7010015	Cord Assembly, 15' (4.57 m)	1
21	2280056	Screw, Cap	1
22	2520056	Spring, Strain Relief	1
23	2520047	Rigid Strain Relief	1
24	1880227	Lincoln Power Pin Kit (includes)	1
		Power Pin	
25	SCL2N (N/A) ²	Trigger Cord Adapter (Lincoln Only)	1
26	7010036	Liner, Power Pin, Lincoln	1
27	2040017	O-Ring	1
28	1880226	Miller Power Pin Kit (includes)	1
		Power Pin	
29	7010035	Liner, Power Pin, Miller	1
30	2040017	O-Ring	1

¹Each kit contains 1 neck and 1 neck liner.
²Part is only available through Bernard 1-855-MIGWELD (644-9353).
 For additional parts call Bernard at 1-855-MIGWELD (644-9353).



Ironmate™ FC-1150
 450-Amp, Self-Shielded
 Flux Cored Welding Gun



Ironmate™ FC-1260
 350-Amp, Self-Shielded
 Flux Cored Welding Gun

Ironmate™ Flux Cored Guns

Model	Part #	Length	Weight	Rating and Duty Cycle	Wire Size
FC-1260	195 732	10 ft (3 m)	8.5 lb (3 kg)	350 A at	1/16–3/32 in (1.6–2.4 mm) ¹
	195 729	15 ft (4.6 m)	11 lb (5 kg)	60% Duty Cycle	
FC-1260 90°	237 410	10 ft (3 m)	8.5 lb (3 kg)	350 A at	1/16–3/32 in (1.6–2.4 mm) ¹
	213 439	15 ft (4.6 m)	11 lb (5 kg)	60% Duty Cycle	
FC-1260LM	194 912	10 ft (3 m)	8.5 lb (3 kg)	350 A at	1/16–3/32 in (1.6–2.4 mm) ¹
	194 911	15 ft (4.6 m)	11 lb (5 kg)	60% Duty Cycle	
FC-1150	194 864	10 ft (3 m)	9.5 lb (4.3 kg)	450 A at	3/32–1/8 in (2.4–3.2 mm)
	194 863	15 ft (4.6 m)	12 lb (5.4 kg)	60% Duty Cycle	

¹.035 and .045 in (0.9 and 1.2 mm) are available via optional Conversion Kit #199 178.

Consumables

Contact Tips (25 per package)	FC-1260	FC-1150
.035 in (0.9 mm)	#209 248 ²	—
.045 in (1.2 mm)	#198 784 ²	—
1/16 in (1.6 mm)	#198 785	—
.068–.072 in (1.7–1.8 mm)	#198 786	—
5/64 in (2.0 mm)	#198 788	—
3/32 in (2.4 mm)	#198 790	#201 256
7/64 in (2.8 mm)	—	#201 257
.120 in (3.0 mm)	—	#201 258
1/8 in (3.2 mm)	—	#201 259
Insulated Thread Protector (5 per package)	#198 800 ³	—
Nozzles		
Insulated Flush	#198 801	#201 261
Insulated 2 in (51 mm) Stickout	#198 802	—
Insulated 2-3/4 in (70 mm) Stickout	#198 803	#201 262 ³
Replacement Liners		
1/16–3/32 in (1.6–2.4 mm) for Cable	#195 731	—
1/16–3/32 in (1.6–2.4 mm) for Gooseneck (Short)	#198 791	—
1/16–3/32 in (1.6–2.4 mm) for Gooseneck (Medium)	#198 792	—
1/16–3/32 in (1.6–2.4 mm) for Gooseneck (Long)	#198 793	—
.045 in (1.2 mm) Conversion for Cable and Gooseneck	#199 178	—
3/32–1/8 in (2.4–3.2 mm) for Cable	—	#201 246
3/32–1/8 in (2.4–3.2 mm) for Gooseneck	—	#201 260

²Use .045 in Conversion Kit #199 178.
³Standard



For other products not listed in catalog, please contact Bernard at 1-855-MIGWELD (644-9353) or visit Bernardwelds.com

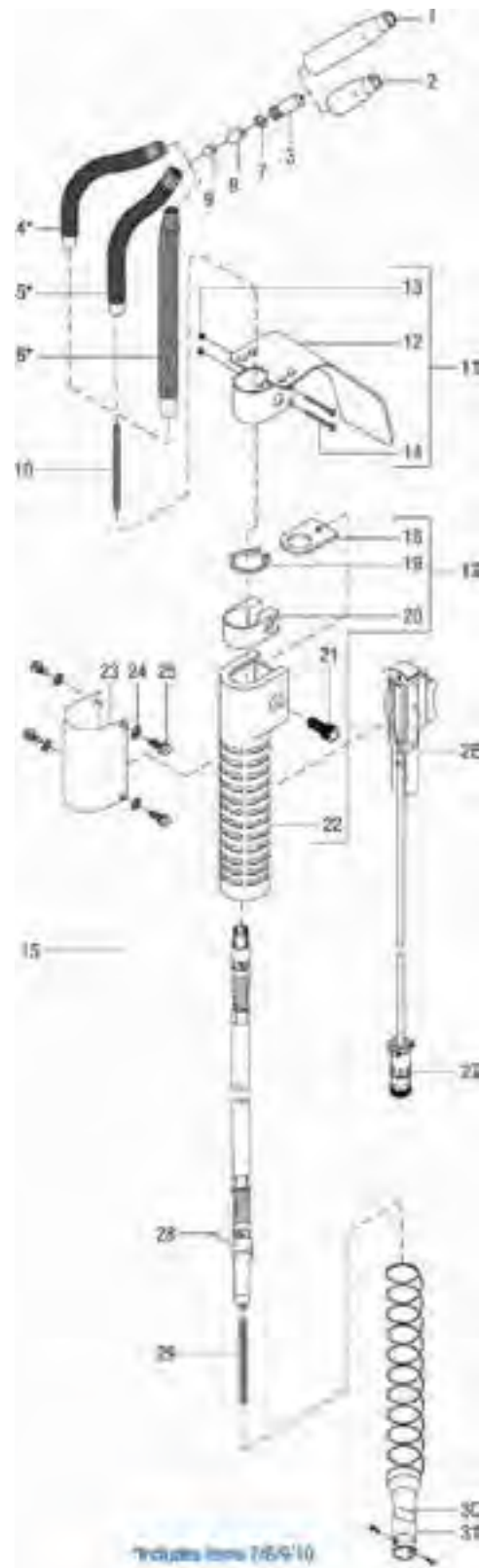


Ironmate™ FC-1150

Service Parts/Consumables

Item #	Part #	Description	Quantity
1	201 262	Nozzle, insulated 2-3/4 in stickout	1
2	201 261	Nozzle, insulated 2 in stickout	1
3	201 256	Tip, contact 3/32 in	1 (25 per pkg)
	201 257	Tip, contact 7/64 in	1 (25 per pkg)
	201 258	Tip, contact .120 in	1 (25 per pkg)
	201 259	Tip, contact 1/8 in	1 (25 per pkg)
4	201 250 ¹	Gooseneck, 82° bend (includes)	1
4	201 251 ¹	Gooseneck, 82° bend, aluminum jacketed (includes)	1
5	201 247	Gooseneck, 25° bend (includes)	1
5	201 248 ¹	Gooseneck, 45° bend, (includes)	1
5	201 249 ¹	Gooseneck, 45° bend, aluminum jacketed (includes)	1
6	201 252 ¹	Gooseneck, straight 5° bend, (includes)	1
7	201 253	Liner, locking screw 3/8 in – 16	1
8	201 254	Insert, steel	1
9	201 255	Insert, ceramic	1
10	201 260	Liner, gooseneck replacement (short, for 6 in goose)	1
11	201 245	Shield Kit, heat (consists of)	1
12	—	Shield, heat (not available separately)	1
13	198 681	Nut, 008-32 .34 hex .23h stl pld elastic stop nut	2
14	135 646	Screw, 008-32 x 1.50 rnd hd-phl stl pld	2
15	224 083	Housing Kit with Hardware — less switch	1
16	224 083	Housing assembly, trigger	1
17	194 714 (N/A)	Handle Kit, assembly (consists of)	1
18	198 821	Shield, spatter	1
19	081 664	Ring, rtng ext .625 shaft grv x .042 thk e style	1
20	198 820	Clamp	1
21	133 774	Screw, cap stl sch .250-20 x .625 pld	1
22	198 819	Handle	1
	000 369	Switch, limit 10 amp, 125/250 VAC	1
23	198 743	Clamp, switch housing	1
24	602 202	Washer, tooth .168 id x .340 od x .023 t stl pld	4
25	070 001	Screw, 008-32 x .25 hexwhd-pln stl pld	4
26	194 713	Switch Kit, assembly 15 ft (consists of)	1
26	195 735	Switch Kit, assembly 10 ft (consists of)	1
27	079 878	Housing Plug and Pins (service kit)	1
28	198 894 (N/A)	Screw, set #8-32 x .312 — liner locking	1
29	201 246	Kit, replacement standard liner 15 ft (includes)	1
30	201 276 (N/A)	Label, FC-1150 gun, 10 ft	1
30	201 277 (N/A)	Label, FC-1150 gun, 15 ft	1
31	195 733	Kit, insulator sleeve with spring and screws	1

¹Optional



¹Includes items 7/8/9/10

Ironmate FC-1150 Gun

Ironmate™ FC-1260 and FC-1260LM

Service Parts/Consumables

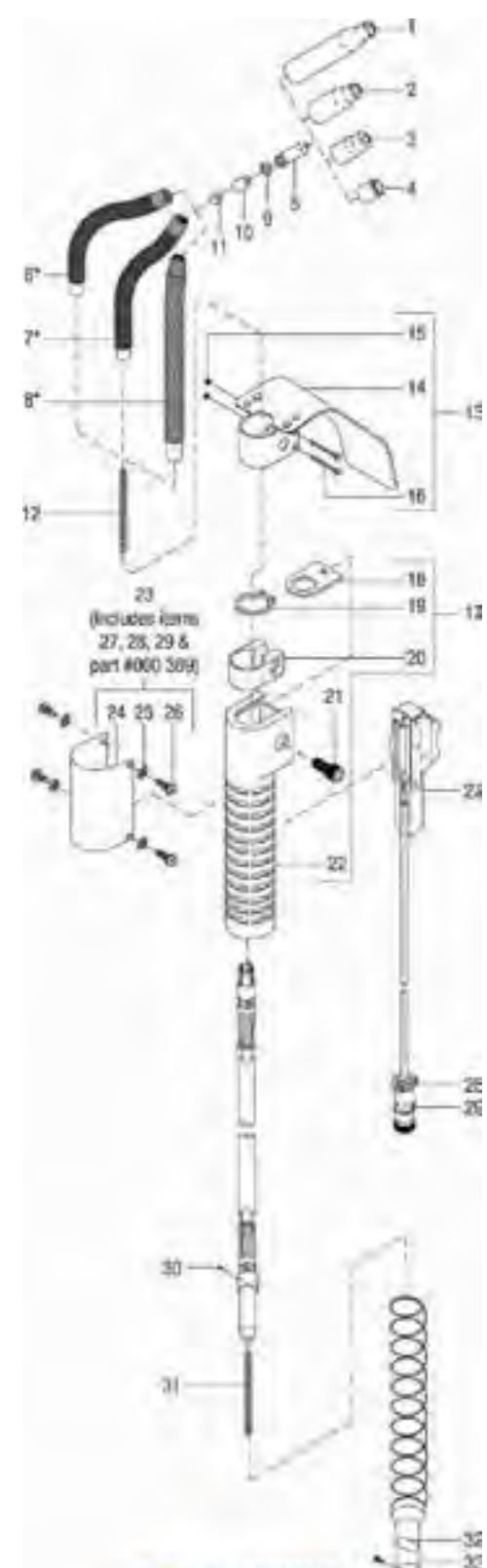
Item #	Part #	Description	Quantity
1	198 803	Nozzle, insulated 2-3/4 in stickout	1
2	198 802	Nozzle, insulated 2 in stickout	1
3	198 801	Nozzle, insulated	1
4	198 800 ¹	Protector, thread	1 (5 per pkg)
5	209 248 ²	Tip, contact .035 (0.9 mm)	1 (25 per pkg)
	198 784 ²	Tip, contact .045 (1.2 mm)	1 (25 per pkg)
	198 785	Tip, contact 1/16 (1.6 mm)	1 (25 per pkg)
	198 786	Tip, contact .068-.072 (1.7 – 1.8 mm)	1 (25 per pkg)
	198 788	Tip, contact 5/64 (2.0 mm)	1 (25 per pkg)
	198 790	Tip, contact 3/32 (2.4 mm)	1 (25 per pkg)
6	198 794 ¹	Gooseneck, 6 in, 50° bend (includes)	1
	199 332	Gooseneck, 6 in, 50° bend, aluminum jacketed (includes)	1
	198 795	Gooseneck, 12 in, 50° bend (includes)	1
	199 333	Gooseneck, 12 in, 50° bend, aluminum jacketed (includes)	1
	198 798	Gooseneck, 6 in, 90° bend (includes)	1
	199 334	Gooseneck, 6 in, 90° bend, aluminum jacketed (includes)	1
7	198 796	Gooseneck, 6 in, 30° bend (includes)	1
	199 335	Gooseneck, 6 in, 30° bend, aluminum jacketed (includes)	1
	198 797	Gooseneck, 12 in, 30° bend (includes)	1
	199 336	Gooseneck, 12 in, 30° bend, aluminum jacketed (includes)	1
8	198 799	Gooseneck, 8 in straight with 5° bend (includes)	1
9	198 752 ³	Liner, locking screw 5/16 in – 18	1
10	198 758 ³	Insert, steel	1
11	198 806 ³	Insert, ceramic	1
12	198 791	Liner, gooseneck replacement (short, for 6 in goose)	1
	198 792	Liner, gooseneck replacement (med, for 8 in goose)	1
	198 793	Liner, gooseneck replacement (long, for 12 in goose)	1
13	194 712	Shield Kit, heat (consists of)	1
14	—	Shield, heat (not available separately)	1
15	198 681	Nut, 008-32 .34 hex .23h stl pld elastic stop nut	2
16	135 646	Screw, 008-32 x 1.50 rnd hd-phl stl pld	2
17	194 714 (N/A)	Handle Kit, assembly (consists of)	1
18	198 821	Shield, spatter	1
19	081 664	Ring, rtng ext .625 shaft grv x .042 thk e style	1
20	198 820	Clamp	1
21	133 774	Screw, cap stl sch .250-20 x .625 pld	1
22	198 819	Handle	1
23	194 713	Switch Kit, assembly 15 ft (consists of)	1
	195 735	Switch Kit, assembly 10 ft (consists of)	1
24	198 743	Clamp, switch housing	1
25	602 202	Washer, tooth .168 id x .340 od x .023 t stl pld	4
26	070 001	Screw, 008-32 x .25 hexwhd-pln stl pld	4
27	224 083	Aluminum Housing Kit with Hardware — less switch	1
28	079 531	Conn, circ cpc clamp str rlf size 11 .453 od	1
29	079 878	Housing Plug and Pins (service kit)	1
	000 369	Switch, limit 10 amp, 125/250 VAC	1
30	198 894 (N/A)	Screw, set #8-32 x .312 — liner locking	1
31	195 731	Kit, replacement standard liner 15 ft (includes)	1
31	199 178	Kit, .045 conversion monocoil liner 15 ft (includes)	1
	166 575	Wrench, hex .078 across flat	1
32	198 759 (N/A)	Label, FC-1260 gun, 10 ft	1
	198 767 (N/A)	Label, FC-1260 gun, 15 ft	1
33	195 733	Kit, insulator sleeve with spring	1
	202 295	Insulator, phenolic (FC-1260LM only)	1
	202 294	Adapter, Miller feeder (FC-1260LM only)	1
	202 692	Adapter, Miller to Lincoln trigger leads (FC-1260LM only)	1

¹Standard

²Use .045 in Conversion Kit

³Items recessed in Gooseneck

Note: Each Gooseneck includes locking screw liner, inserts, and appropriate gooseneck liner.



¹Includes items 9/10/11/12

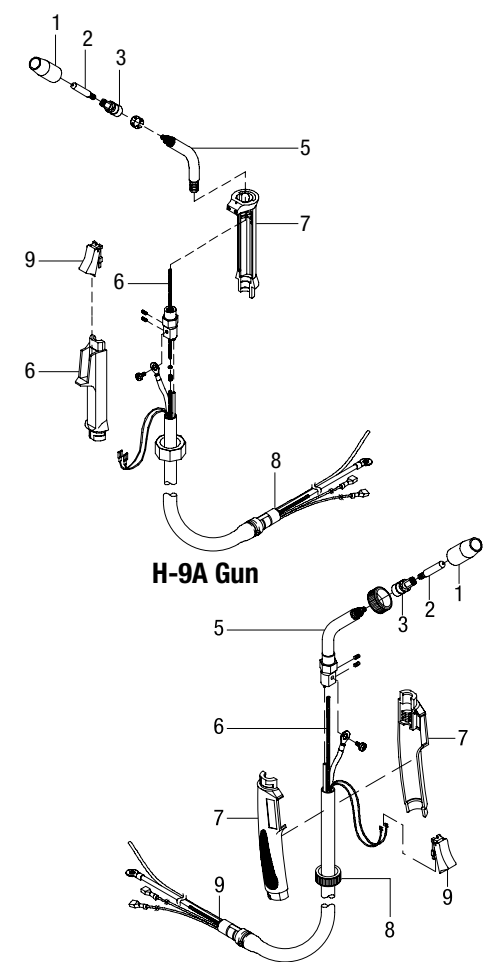
Hobart MIG Gun History

Machine	Spec # / Stock #	Original Gun	Recommended Replacement Gun
Handler®	6969-1	GAL-90	Contact Bernard 1-855-MIGWELD (644-9353)
	All Other 6969 Series	GAL-100	Contact Bernard 1-855-MIGWELD (644-9353)
Handler® 120	7144-1 and 71441A-1	GAL-100	Contact Bernard 1-855-MIGWELD (644-9353)
	All Other	Piecemaker® 14-A	Contact Bernard 1-855-MIGWELD (644-9353)
Handler® 125	All	H-9A, pg 36; H-9, pg 36	H-9 #195 157R, pg 36
Handler® 125EZ	All	H-9A, pg 36	H-9 #195 157R, pg 36
Handler® 130XL	All	GA-16CA	M-100 #248 282, pg 18 (Purchase # 193681, Power Pin)
Handler® 135/140	All	H-10, pg 37	H100S2-10 #245 924, pg 38
Handler® 150	All	Piecemaker® 14-A	Contact Bernard 1-855-MIGWELD (644-9353)
Handler® 175/180	All	H-10, pg 37	H100S2-10 #245 924, pg 38
Handler® 187	All	H-10, pg 37	H100S2-10 #245 924, pg 38
Handler® 190	All	H100S4-10, pg 38	H100S4-10 #245 926, pg 38
Handler® 210	All	H-14, pg 37	H100S4-10 #245 926, pg 38
Handler® 210MVP	All	H100S4-10, pg 38	H100S4-10 #245 926, pg 38
IronMan™ 210	All	M-10, pg 17	M-100/M-150, pg 18
IronMan™ 230	All	H200L4-15, pg 39	H200L4-15 #239 173, pg 39
IronMan™ 250/270	All	M-25, pg 19	M-25, pg 19
Trek 180	All	H100L4-10, pg 39	H100L4-10 #243 864, pg 39

H-9A/9B Service Parts/Consumables

Item #	Part # H-9A*	Part # H-9B	Description	Quantity
	195 157R	—	H-9A Gun 8 ft (2.4 m), 100 A, .030-.035 (0.8-0.9 mm)	
	—	195 157R	H-9B Gun 8 ft (2.4 m), 100 A, .030-.035 (0.8-0.9 mm)	
1	169 715 ^(B) 226 190	169 715 ^(B) 226 190	Nozzle, slip type .500 (12.7 mm) orf flush Nozzle, slip type flux cored	1 (2 per pkg) 1 (1 per pkg)
2	087 299 ^(B) 000 067 ^(B) 000 068 ^(B)	087 299 ^(B) 000 067 ^(B) 000 068 ^(B)	Tip, contact scr .023 (0.6 mm) wire x 1.125 Tip, contact scr .030 (0.8 mm) wire x 1.125 Tip, contact scr .035 (0.9 mm) wire x 1.125	1 (10 per pkg) 1 (10 per pkg) 1 (10 per pkg)
3	169 716	169 716	Adapter, contact tip	1 (2 per pkg)
4	170 470	—	Ring, retaining	1
5	210 969 (N/A)	226 079	Tube, head	1
6	210 970	210 970	Kit, liner, monocoil .023-.035 (0.6-0.9 mm) wire x 8 ft	1
7	211 450 (N/A)	226 080	Handle Assembly	1
8	—	226 010	Nut, liner retainer	2
9	—	225 410	Switch, trigger	1

¹ Optional
^(B) Available in bulk quantities — see page 20 for more information.
 *H9B replaces H9A

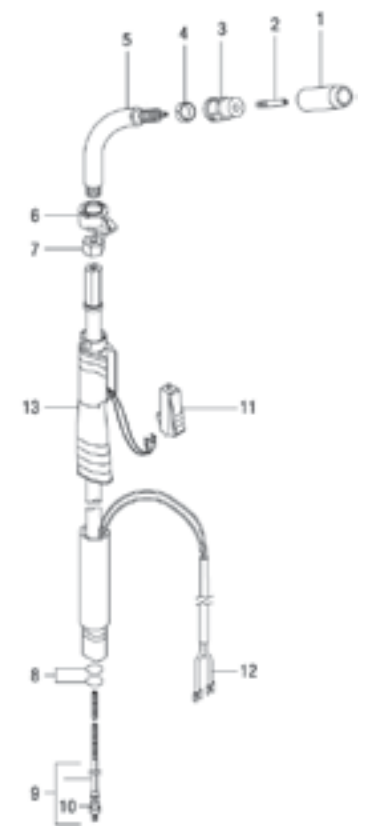


For other products not listed in this catalog, please call Hobart at 1-800-626-9420.

H-10 Service Parts/Consumables

Item #	Part #	Description	Quantity
	195 957	H-10 Gun 10 ft (3 m), 100 A, .030-.035 (0.8-0.9 mm)	
1	169 715 ^(B) 226 190	Nozzle, slip type .500 (12.7 mm) orf flush Nozzle, slip type flux cored	1 (2 per pkg) 1 (1 per pkg)
2	087 299 ^(B) 000 067 ^(B) 000 068 ^(B) 000 069 ^(B)	Tip, contact scr .023 (0.6 mm) wire x 1.125 Tip, contact scr .030 (0.8 mm) wire x 1.125 Tip, contact scr .035 (0.9 mm) wire x 1.125 Tip, contact scr .045 (1.2 mm) wire x 1.125	1 (10 per pkg) 1 (10 per pkg) 1 (10 per pkg) 1 (10 per pkg)
3	169 716	Adapter, contact tip	1 (2 per pkg)
4	170 470	Ring, retaining	1
5	169 718	Tube, head	1
6	169 738	Nut, locking handle	1
7	194 524	Nut, jam	1
8	197 123	O-Ring, .312 ID x .062 70 Duro BUNA-N	2
9	194 010 ¹	Kit, liner, monocoil .023-.025 (0.6 mm) wire x 15 ft (includes)	1
	194 011	Kit, liner, monocoil .030-.035 (0.8-0.9 mm) wire x 15 ft (includes)	1
	194 012 ¹	Kit, liner, monocoil .035-.045 (0.9-1.2 mm) wire x 15 ft (includes)	1
10	079 975	O-Ring, .187 ID x .103CS rbr	1
11	227 798	Switch, trigger	1
12	604 464	Terminals, friction	2
13	169 737	Handle	1
	209 494	Power Pin	1

¹ Optional
^(B) Available in bulk quantities — see page 20 for more information.



H-14 Service Parts/Consumables

Item #	Part #	Description	Quantity
	231 204	H-14 Gun 10 ft (3 m), 100 A, .030-.035 (0.8-0.9 mm)	
1	169 715 ^(B) 226 190	Nozzle, slip type .500 (12.7 mm) orf flush Nozzle, slip type flux cored	1 (2 per pkg) 1 (1 per pkg)
2	087 299 ^(B) 000 067 ^(B) 000 068 ^(B)	Tip, contact scr .023 (0.6 mm) wire x 1.125 Tip, contact scr .030 (0.8 mm) wire x 1.125 Tip, contact scr .035 (0.9 mm) wire x 1.125	1 (10 per pkg) 1 (10 per pkg) 1 (10 per pkg)
3	169 716	Adapter, contact tip	1 (2 per pkg)
4	170 470	Ring, retaining	1
5	169 718	Tube, head	1
6	169 738	Nut, locking handle	1
7	169 719	Nut, jam	1
8	079 975	O-ring, .187 ID x .103CS rbr	1
9	194 010 ¹	Kit, liner, monocoil .023-.025 (0.6 mm) wire x 15 ft	1
	194 011	Kit, liner, monocoil .030-.035 (0.8-0.9 mm) wire x 15 ft (includes)	1
	194 012 ¹	Kit, liner, monocoil .035-.045 (0.8-0.9 mm) wire x 15 ft	1
	194 014 ¹	Kit, liner, monocoil .023-.035 (0.6-0.9 mm) wire x 15 ft (includes)	1
10	079 975	O-ring, .312 ID x .062 70 Duro BUNA-N	1
11	227 798	Switch, trigger	1
12	227 800	Cord, trigger assembly	1
13	079 878	Housing Plug & Pins	1
	209 494	Power Pin	1

¹ Optional
^(B) Available in bulk quantities — see page 20 for more information.

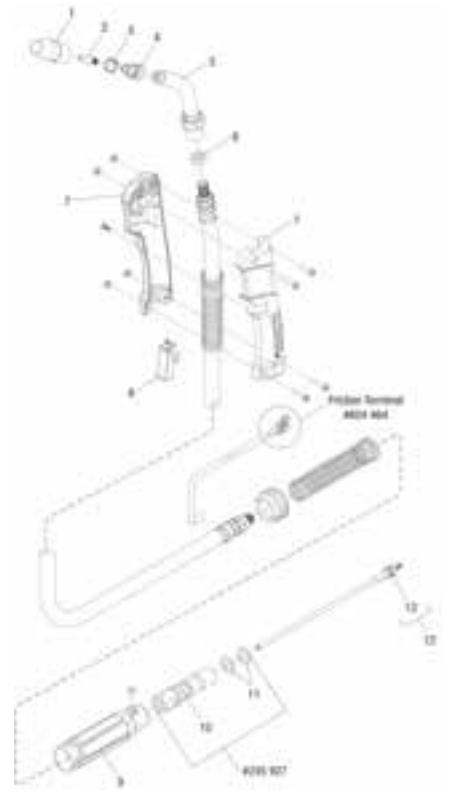




H100S2-10 Service Parts/Consumables

Item #	Part #	Description	Quantity
	245 924	H100S2-10 Gun .30-.035 10 ft	
1	169 715	Nozzle, slip type .500 orf flush	1
	226 190	Nozzle, flux cored slip type	1
2	087 299^{1(B)}	Tip, contact scr .023 (0.6 mm) wire x 1.125	1
	000 067^{1(B)}	Tip, contact scr .030 (0.8 mm) wire x 1.125	1
	000 068^{1(B)}	Tip, contact scr .035 (0.9 mm) wire x 1.125	1
	000 069^{1(B)}	Tip, contact scr .045 (1.2 mm) wire x 1.125	1
3	170 470	Ring, retaining	1
4	169 716	Adapter, contact tip	1
5	246 373	Tube, head	1
6	234 865	Nut, jam	1
7	242 832	Handle	1
8	225 410	Switch, trigger	1
9	246 380	Housing, power pin	1
10	245 927	Connector, feeder	1
11	197 123	O-Ring, .312 ID x .062 70 duro buna-n	2
12	194 010¹	Liner, monocoil .023 - .025 wire x 15 ft (consisting of)	1
	194 011¹	Liner, monocoil .030 - .035 wire x 15 ft (consisting of)	1
	194 012¹	Liner, monocoil .035 - .045 wire x 15 ft (consisting of)	1
13	079 975	O-Ring, .500 ID x .103CS rbr	1

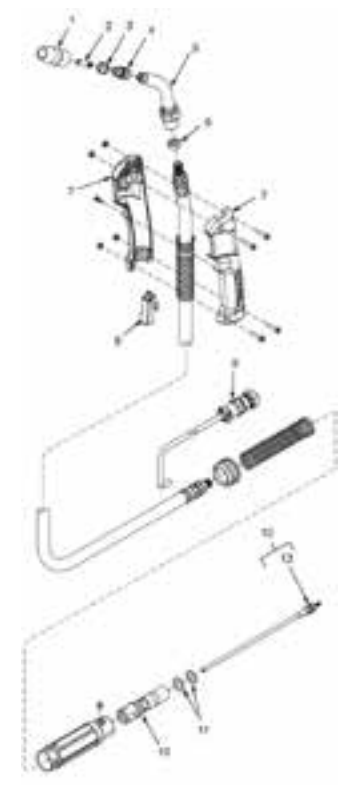
¹Optional
^(B)Available in bulk quantities — see page 20 for more information.



H100L4-10 Service Parts/Consumables

Item #	Part #	Description	Quantity
	243 864	H100L4-10 Gun 10 ft (3 m), 100 A, .030-.035 (0.8-0.9 mm)	1
1	169 715	Nozzle, slip type, .500 orf flush	1
	226 190¹	Nozzle, flux cored slip type	1
2	087 299¹	Tip, contact scr .023 wire x 1.125	1
	000 067¹	Tip, contact scr .030 wire x 1.125	1
	000 068¹	Tip, contact scr .035 wire x 1.125	1
	000 069¹	Tip, contact scr .045 wire x 1.125	1
3	170 470	Ring, retaining	1
4	169 716	Adapter, contact tip	1
5	242 831	Tube, head	1
6	243 865	Nut, jam	1
7	242 832	Handle	1
8	225 410	Switch, trigger	1
9	079 878	Housing plug & pins	1
10	242 833	Connector, feeder	1
11	079 974	O-ring, .500 ID x .103CS rbr	2
12	194 010¹	Liner, monocoil .023/.025 wire x 15 ft (consisting of)	1
	194 011¹	Liner, monocoil .030/.035 wire x 15 ft (consisting of)	1
	194 012¹	Liner, monocoil .035/.045 wire x 15 ft (consisting of)	1
13	079 975	O-ring, .187 ID x .103CS rbr	1

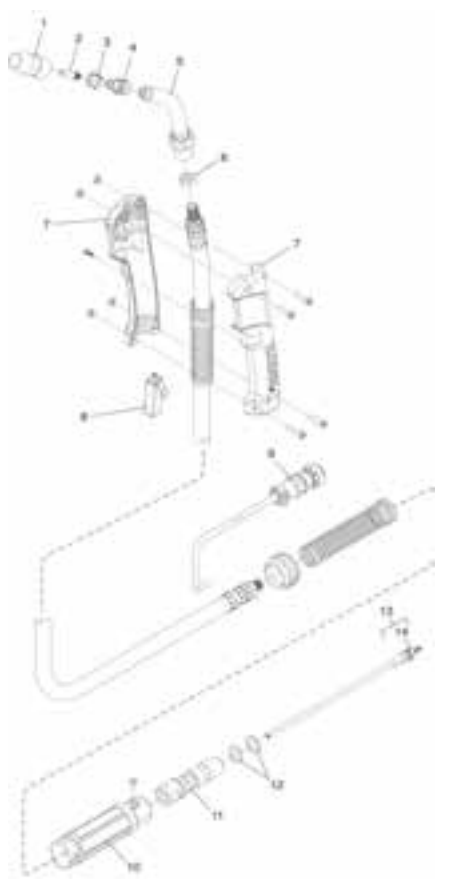
¹Optional



H100S4-10 Service Parts/Consumables

Item #	Part #	Description	Quantity
	245 926	H100S4-10	
1	169 715	Nozzle, slip type .500 (12.7 mm) orf flush	1 (2 per pkg)
	226 190	Nozzle, slip type flux cored	1 (1 per pkg)
2	087 299^(B)	Tip, contact scr .023 (0.6 mm) wire x 1.125	1 (10 per pkg)
	000 067^(B)	Tip, contact scr .030 (0.8 mm) wire x 1.125	1 (10 per pkg)
	000 068^(B)	Tip, contact scr .035 (0.9 mm) wire x 1.125	1 (10 per pkg)
	000 069^(B)	Tip, contact scr .045 (1.2 mm) wire x 1.125	1 (10 per pkg)
3	170 470	Ring, retaining	1
4	169 716	Adapter, contact tip	1 (2 per pkg)
5	246 373	Tube, head	1
6	243 865	Nut, jam	1
7	242 832	Handle	1
8	225 410	Switch, trigger	1
9	079 878	Housing plug and pins	1
10	246 380	Housing, power pin	1
11	245 927	Connector, feeder	1
12	197 123	O-ring, .312 ID x .062 duro buna-n	2
13	194 010¹	Kit, liner, monocoil .023 - .025 (0.6 mm) wire x 15 ft	1
	194 011	Kit, liner, monocoil .030 - .035 (0.8 - 0.9 mm) wire x 15 ft	1
	194 012¹	Kit, liner, monocoil .035 - .045 (0.6 - 0.9 mm) wire x 15 ft	1
14	079 975	O-ring, .187 ID x .103CS rbr	1

¹Optional
^(B)Available in bulk quantities — see page 20 for more information.
 *H9B replaces H9A



H200L4-15 Service Parts/Consumables

Item #	Part #	Description	Quantity
	239 173	H200L4-10 Gun 15 ft (4.6 m), 200 A, .030-.035 (0.8-0.9 mm)	1
1	200 258	Nozzle, slip type, .500 orf flush	1
	169 724¹	Nozzle, slip type, .500 orf .125 recess	1
	169 725¹	Nozzle, slip type, .625 orf .125 recess	1
	169 726¹	Nozzle, slip type, .625 orf flush	1
	169 727¹	Nozzle, slip type, .625 orf .125 stitch out	1
2	087 299¹	Tip, contact scr .023 wire x 1.125	1
	000 067¹	Tip, contact scr .030 wire x 1.125	1
	000 068¹	Tip, contact scr .035 wire x 1.125	1
	000 069¹	Tip, contact scr .045 wire x 1.125	1
3	169 728	Adapter, contact tip	1
4	169 729	Adapter, nozzle w/retaining ring	1
5	170 468	O-Ring	1
6	169 730	Washer, shock	1
7	242 585	Tube head assembly	1
8	242 635	Handle, front H-20 welding gun	1
9	225 410	Switch, trigger	1
10	242 597	Handle, rear H-20 welding gun	1
11	242 598	Collar, adapter feeder connector	1
12	242 604	Connector, feeder H-20 welding gun	1
13	079 974	O-ring, .500 ID x .103 cs rbr	1 (2 per pkg)
14	194 010	Liner, monocoil .023/.025 wire x 15 ft (consisting of)	1
	194 011	Liner, monocoil .030/.035 wire x 15 ft (consisting of)	1
	194 012	Liner, monocoil .035/.045 wire x 15 ft (consisting of)	1
15	079 975	O-ring, .312 ID x .062 70 Dura Buna-N	1
16	227 800	Cord, trigger assembly	1

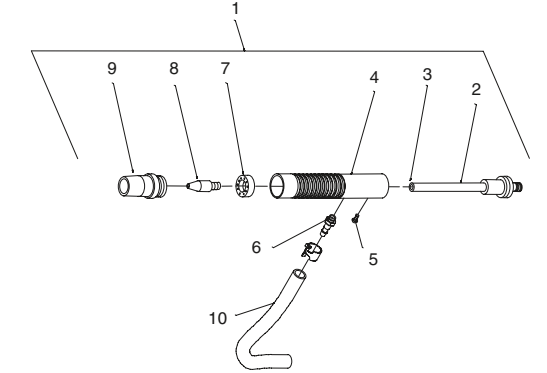
¹Optional





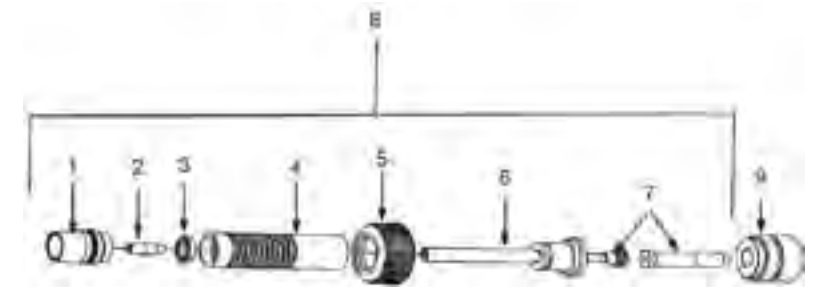
Millermatic Service Parts

Model	Serial # Effective	On/Off Switch #	Contact #	Gas Valve #	Wire Speed Pot/Rheostat #	Wire Speed Knob #	Fan Motor #	Fan Blade #	Drive Motor #	CR-1 Relay #	Range Switch #
Challenger™	KG171523	116 830	252 676	218 422	000 101	097 922	495 429	005 656	173 446	—	—
Challenger™ 172	KH511668	116 830	252 676	218 422	See Manual	097 922	495 429	005 656	186 212	006 393	250 658
MM 90/130	KB102926	111 997 (115 V) 116 830 (230 V)	252 676	218 421	000 101	097 922	111 931	005 656	173 446	006 393	—
MM 120/150	KB100704	116 830	252 676	218 422	072 623	097 922	495 429	005 656	090 087	072 817	—
MM 130 XP	KH418495	111 997	252 676	218 421	186 207	097 922	495 428	005 656	186 212	See Manual	250 658
MM 135	LB204281	196 575	—	218 421	See Manual	171 007	196 063	409953-001	202 708	—	202 663
MM 140/140 with Auto-Set™	LG320643	196 575	—	218 421	207 415	171 007	196 063	409953-001	202 708	—	202 663
MM 175	LB204053	196 574	—	218 422	See Manual	207 078	196 064	409953-001	202 708	—	202 663
MM 180	LG320643	196 574	—	218 422	207 415	207 078	196 064	409953-001	202 708	—	202 663
MM 185	KG171523	124 511	See Manual	222 837	035 897	171 007	123 468	005 656	See Manual	072 817	153 197
MM 200	HK240615	See Manual	See Manual	See Manual	030 943	171 007	081 373	081 372	—	See Manual	049 280
MM 210	LC218652	124 511	196 600	See Manual	See Manual	See Manual	188 706	148 809	202 888	—	192 373
MM 211	LJ330001N	196 575	—	232 516	207 415	207 078	See Manual	See Manual	202 708	—	202 663
MM 212	LH131786B	124 511	196 600	246 753	228 104	207 077	188 706	148 809	233 009	—	—
MM 212 w/Auto-Set™	LJ180754B	124 511	—	246 753	238 100	238 122	188 706	148 809	233 009	—	—
MM 250	KB054828	250 006	—	222 837	035 897	171 007	148 808	148 809	See Manual	006 393	035 897
MM 250MP	KB054828	250 006	—	222 837	—	—	148 808	148 809	See Manual	006 393	—
MM 250X w/o meters	KJ081597	250 006	—	222 837	035 897	171 007	188 706	148 809	227 117	006 393	035 897
MM 250X w/ meters	KK227730	250 006	—	222 837	See Manual	171 007	188 706	148 809	227 117	006 393	See Manual
MM 251	LB170597	250 006	—	See Manual	See Manual	See Manual	188 706	148 809	227 117	052 964	See Manual
MM 252	LG290851B	250 006	—	246 753	—	218 764	188 706	148 809	225 341	—	—
MM 300 w/o meters	KH457123	244 920	—	222 837	035 897	171 007	148 808	148 809	227 117	—	035 897
MM 300 w/meters	KK310628	244 920	—	222 837	035 897	171 007	148 808	148 809	227 117	—	035 897
MM 350/350P	LC447907	See Manual	248 620	See Manual	—	—	213 043	—	223 541	106 462	—
MM DVI™	LE204883	219 552	196 600	216 396	198 087	207 077	188 706	148 809	202 888	072 817	153 197
MM DVI-2™	LH021271B	219 552	196 600	246 753	198 087	207 077	188 706	148 809	230 496	—	192 373
MM Passport	LE444123	—	—	220 011	—	174 992	234 728	—	202 708	—	—
MM Passport Plus	LH380053N	—	—	220 011	—	174 992	234 728	—	202 708	—	—
MM Pulser	LA259996	250 006	196 600	218 494	035 897	171 007	188 706	148 809	227 117	—	192 373
MM Reach	LK220947N	—	—	244 300	—	238 873	—	—	223 541	—	—
Vintage	KF806591	250 006	See Manual	218 421	035 897	171 007	See Manual	See Manual	See Manual	080 388	153 197



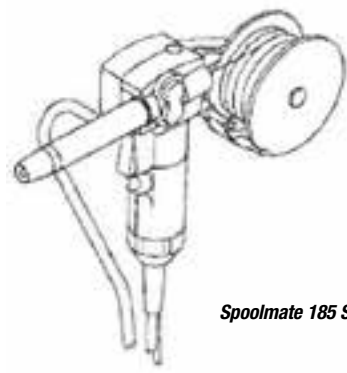
Spoolmate™ 100 Series

Item #	Part #	Description	Quantity
1	186 404	Gun Tube Assembly (Includes)	1
2	234 348	Head Tube Assembly	1
3	206 363	Liner Kit	1
4	194 633	Barrel	1
5	209 080	Screw, M4 x 0.7 x 6 mm	1
6	186 408	Gas Nipple	1
7	186 409	Gas Diffuser	1
8	186 419	Contact Tip .030	1
8	186 406	Contact Tip .035	1
8	199 730	Contact Tip .023	1
9	186 405	Nozzle	1
10	111 400	Hose, SAE .187 ID x .410 OD x 8.000	1



Spoolmate™ 200 Series

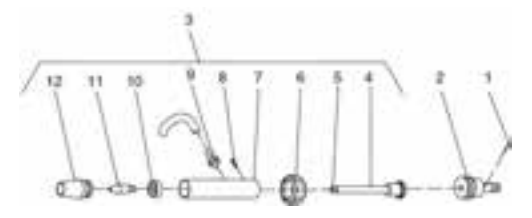
Item #	Part #	Description	Quantity
1	186 405	Nozzle, Scr Type .562 Orif x 1.437 Lg	1
2	186 406	Contact Tip, .035 M5 x .8 mm Thread	1
2	186 419	Contact Tip, .030 M5 x .8 mm Thread	1
2	199 730	Contact Tip, .023 M5 x .8 mm Thread	1
3	186 409	Gas Diffuser	1
4	243 294	Barrel	1
5	243 383	Locking Nut	1
6	244 880	Head Tube Assembly	1
7	247 351	Kit, Liner w/ Outlet Guide	1
8	243 385	Gun Tube Assembly	1
9	243 390	Contact Adapter	1



Spoolmate 185 Spool Gun

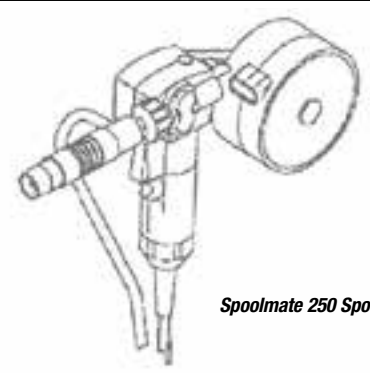


Spoolmate 3035 Spool Gun



Spoolmate™ 185 & 3035 Series

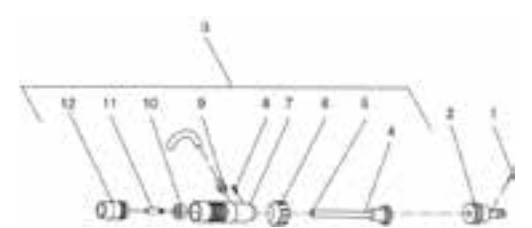
Item #	Part #	Description	Quantity
1	197 570	Anti-Rotation Pin	1
2	196 848	Contact Adapter	1
3	196 827	Gun Tube Assembly (Includes)	1
4	196 849	Head Tube Assembly	1
5	206 363	Liner Kit	1
6	196 847	Locking Nut	1
7	194 633	Barrel	1
8	209 080	Screw, M4 x 0.7 x 6 mm	1
9	186 408	Gas Nipple	1
10	186 409	Gas Diffuser	1
11	186 419	Contact Tip .030	1
11	186 406	Contact Tip .035	1
11	199 730	Contact Tip .023	1
12	186 405	Nozzle	1



Spoolmate 250 Spool Gun

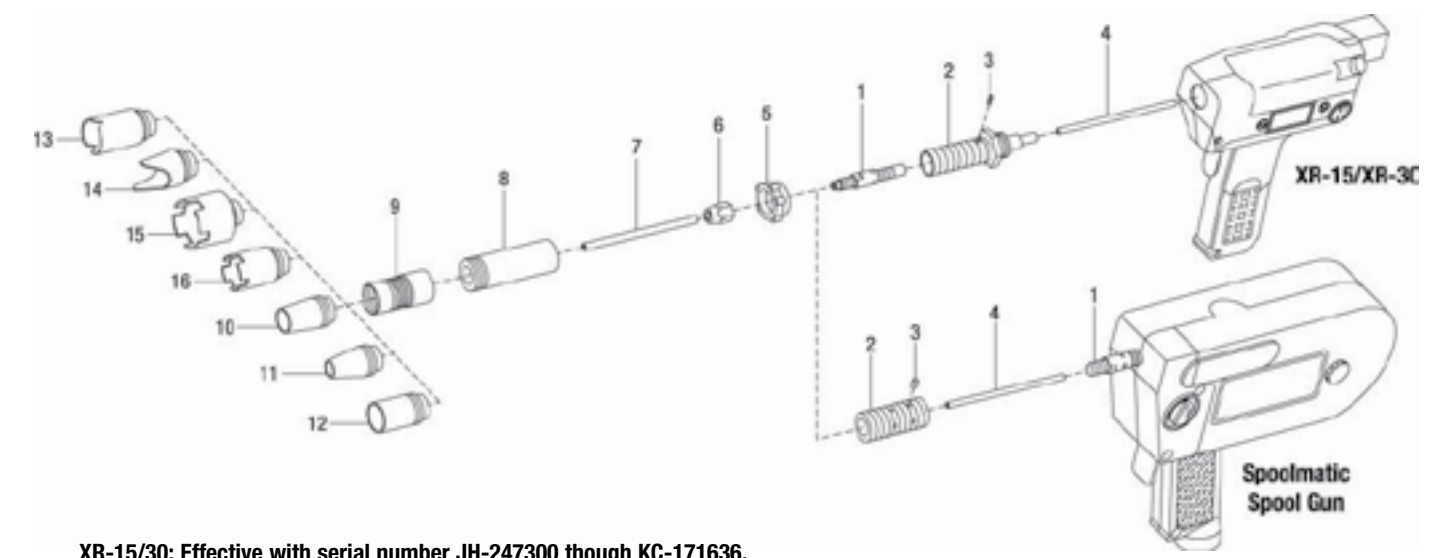


Spoolmate 3545 Spool Gun



Spoolmate™ 250 & 3545 Series

Item #	Part #	Description	Quantity
1	197 570	Anti-Rotation Pin	1
2	196 848	Contact Adapter	1
3	199 385	Gun Tube Assembly (consisting of)	1
4	199 394	Head Tube Assy	1
5	206 363	Liner Kit	1
6	196 847	Locking Nut	1
7	199 393	Barrel	1
8	209 080	Screw, M5 x 0.7 x 6 mm	1
9	199 391	Gas Nipple	1
10	199 390	Gas Diffuser	1
11	199 387	Contact Tip .030	1
11	199 388	Contact Tip .035	1
11	199 389	Contact Tip .047	1
12	050 622	Nozzle	1



XR-15/30: Effective with serial number JH-247300 though KC-171636.

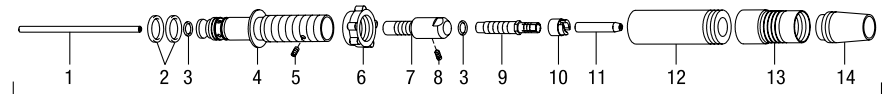
XR™-15/XR™-30 and Spoolmatic® 1,2,3 Service Parts/Consumables

Item #	Part # XR-15/30	Part # Spoolmatic 1,2,3	Description	Quantity
1	112 704	058 678	Adapter, contact tube	1
2	112 885 (N/A)	009 541	Adapter, barrel	1
3	602 172	—	Screw, set stl sch 10-32 x .187 cup point	1
	—	604 771	Screw, set stl sch 10-32 x .125 cup point	4
4	112 708	—	Liner, teflon .030 – .035 (0.8 – 0.9 mm) wire x 4.125	1
	112 707	—	Liner, teflon .047 – 1/16 (1.2 – 1.6 mm) wire x 4.125	1
	—	058 681	Liner, teflon .030 – .035 (0.8 – 0.9 mm) wire x 5.187	1
	—	058 682	Liner, teflon .047 – 1/16 (1.2 – 1.6 mm) wire x 5.187	1
5	058 685	058 685	Nut, jam nozzle extension	1
6	058 676	058 676	Nut, brs cprsn .438-20	1
7	050 638	050 638	Tube, cont sl .030 (0.8 mm) wire x 4.000	1 (5 per pkg)
	094 259	094 259	Tube, cont sl .035 (0.9 mm) wire x 4.000	1 (5 per pkg)
	094 260	094 260	Tube, cont sl .047 (1.2 mm) wire x 4.000	1 (5 per pkg)
	050 637	050 637	Tube, cont sl 1/16 (1.6 mm) wire x 4.000	1 (5 per pkg)
8	156 821	156 821	Extension, barrel 2.875 lg	1
9	144 862	144 862	Extension, nozzle	1
10	050 622	050 622	Nozzle, 5/8 orf (15.9 mm) x 1-5/8 lg	1 (2 per pkg)
11	050 115	050 115	Nozzle, 1/2 orf (12.7 mm) x 1-5/8 lg	1 (2 per pkg)
12	050 116	050 116	Nozzle, 13/16 (20.6 mm) orf x 1-5/8 lg	1 (2 per pkg)
13	009 925	009 925	Nozzle, spot outside corner .937 ID x 2.375	1
14	000 443	000 443	Nozzle, spot inside corner	1
15	004 466	004 466	Nozzle, spot flat, 1-3/8 orf (35 mm)	1
16	000 442	000 442	Nozzle, spot flat, 15/16 orf (24 mm)	1
	050 960	050 960	Wrench	1
	053 131	053 131	Drive Roll, V-knur l .030-1/16 (0.8-1.6 mm)	1
	194 405 ¹	—	Complete Conduit Assemblies with Liner and Fittings (replaces #112 715)	15 ft
	194 410 ¹	—	Complete Conduit Assemblies with Liner and Fittings (replaces #112 716)	30 ft
	191 065	—	Replacement Liner, gun feed cable .187 OD x .110 ID	32 ft
	191 066	—	Replacement Liner, gun feed cable .187 OD x .110 ID	50 ft
	197 440	—	Replacement Liner, bulk gun feed cable .187 OD x .110 ID	500 ft
	191 061	—	Replacement Tubing, gun liner carrier	15 ft
	191 062	—	Replacement Tubing, gun liner carrier	30 ft
	191 063	—	Replacement Tubing, gun liner carrier	50 ft
	156 486 (N/A)	—	Conversion Kit, converts XRs with 4" contact tubes to 1-7/16" tubes	1

¹Updates XRs from one-piece conduit (#112 715 or #112 716) to new style configuration that features replaceable feed cable liners and improved feedability.



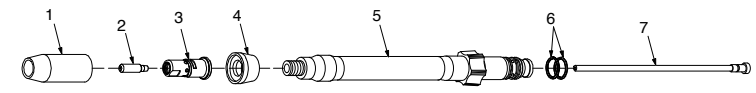
Spoolmatic serial numbers
KD376404 - LC259177
XR prior to serial number LC373469



#193 142 Barrel Assembly



- | | | | |
|--------------------------------|-------------------|-----------------------------------|-------------------------|
| 1. Head Tube Liner | (See chart below) | 11. Contact Tip | (See chart below) |
| 2. O-Ring .614 ID | #134 800 | 12. Barrel Extension (Air-cooled) | #156 821 |
| 3. O-Ring .176 ID | #164 485 | 13. Nozzle Extension (Air-cooled) | #144 862 |
| 4. Barrel Adapter (Air-cooled) | #164 423 | 14. Nozzle (Standard) | #050 622 ^(B) |
| 5. Set Screw | #602 172 | Wrench (Not shown) | #136 821 |
| 6. Jam Nut (Air-cooled) | #058 685 | | |
| 7. Head Tube (Air-cooled) | #164 422 | | |
| 8. Set Screw (Air-cooled) | #604 612 | | |
| 9. Contact Tip Adapter | #164 421 | | |
| 10. Collet Nut | #136 748 | | |
- ^(B)Available in bulk quantities — see page 20.
Note: To use new FasTip tips, use Gas Diffuser #209 875, Head Tube Liner #212 523, and Insulator Contact Tip Adapter #185 097.
Note: For optional nozzles see page 47.



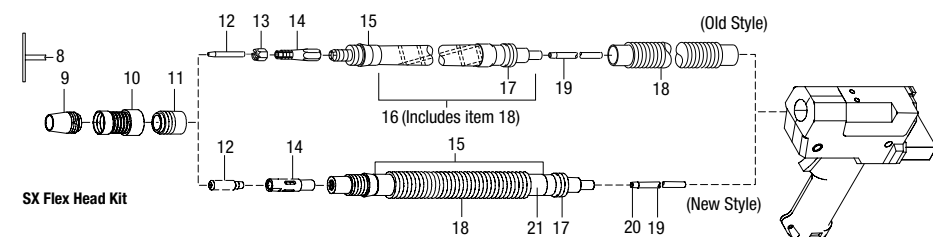
XR™-A/Spoolmatic® 30A Options

Item #	Part #	Description	Kit Quantity
	222 735	Kit, Flex Head 10 in for XRA	
1	199 613	Nozzle, Brass 5/8 in Orifice Tapered	1
2	See Page 50	Contact Tip	1
3	206 195	Diffuser, .281/.312 Od Fastip 1/8 Tip Recess	1
4	198 856	Insulator, Nozzle	1
5	222 839 (N/A)	Torch, Flex	1
6	134 800	O-Ring, .614 Id x .070 CS 70 Duro Buna-N	2
7	222 855	Kit, Liner (Includes)	1
	222 853	Liner, Nylon .030-.045 Wire x 11.625	1
	222 854	Liner, Nylon .047-.062 Wire x 11.625	1

XR™/XR-M, Spoolmatic® 15/30A Consumables

Air-cooled parts breakdown and gun shown. Consult owner's manual for water-cooled parts and consumables.

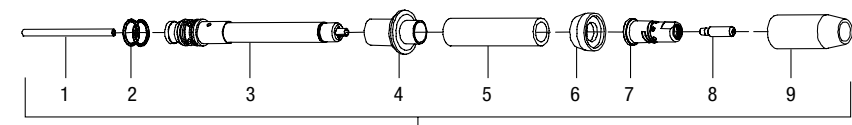
Wire Diameter	Standard Contact Tip I.D.	Optional (Smaller) Contact Tip I.D.	Gun Head Tube Liner
.030 in (0.8 mm)	.041 in (1.0 mm) #135 428	.036 in (1.0 mm) #135 427	#136 682
.035 in (0.9 mm)	.052 in (1.3 mm) #135 430	.041 in (1.0 mm) #147 314	#136 682
.047 in (1.2 mm)	.061 in (1.5 mm) #135 424	.052 in (1.0 mm) #135 429	#136 683
.062 in (1.6 mm)	.081 in (2.1 mm) #135 425	.073 in (1.0 mm) #135 426	#136 683



Item #	Part # (Old Style)	Part # (New Style)	Description	Kit Quantity
8	136 821	—	Wrench (standard length), nut tip contact	1
9	—	See page 47	Nozzle	1
10	144 862	144 862	Extension Nozzle	1
11	130 632	130 632	Insulator, ring	1
12	—	See page 47	Contact Tip	1
13	136 748	—	Nut, compression	1
14	136 431	—	Adapter, contact tube	1
	—	209 875	Diffuser, FasTip slotted	1
15	153 667	153 667	Clamp, Sst bundle dia 2.00 x .18 wide x 7.90 lg	1 (Old Style) / 2 (New Style)
16	140 665	212 679 (N/A)	Tube, head flexible (includes)	1
17	134 800	134 800	O-Ring, .614 ID x .070CS	2
18	131 171	131 171	Tubing, npm convoluted 7.100 lg x .740 ID cuffs	1
19	138 255	222 853	Liner, teflon .030-.035 (0.8-0.9 mm) wire x 11.625 lg, black	1
	132 682	222 854	Liner, teflon .047-.062 (1.2-1.6 mm) wire x 11.625 lg, yellow	1
	—	212 401	Liner, phos bronze .030-1/16 (0.8-1.6 mm) wire x 11.249	1
20	—	134 799	O-Ring, .176 ID x .070CS	1
21	—	212 680 (N/A)	Flex torch (inside tubing)	1

For guns between LC259177 and LE239243, call Miller parts for information.

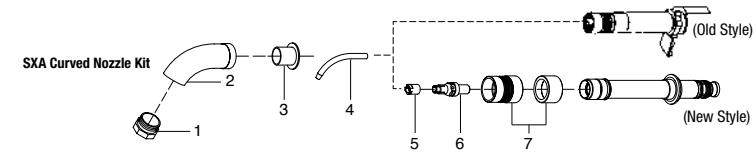
Spoolmatic effective with serial number
LE239243
XR effective with serial number LE033395



#231 523 Air-Cooled Assembly Kit (Illustrated above)
#231 524 Water-Cooled Assembly Kit (Not shown, consult owner's manual)



- | | | | |
|---------------------------------|----------|----------------------|-------------------------|
| 1. Head Tube Liner | #212 156 | 7. Diffuser | #227 749 ^(B) |
| 2. O-Ring .614 ID | #134 800 | 8. Contact Tip | (See chart below) |
| 3. Barrel Assembly (Air-cooled) | #221 087 | 9. Nozzle (Standard) | #199 613 |
| 4. Barrel Pistol Insulator | #219 795 | | |
| 5. Outer Insulating Jacket | #219 794 | | |
| 6. Nozzle Insulator | #232 284 | | |



New style Spoolmatic effective with serial number LE239243.
New style XR effective with serial number LE033395.

XR™/XR-M, Spoolmatic® 15/30A FasTip™

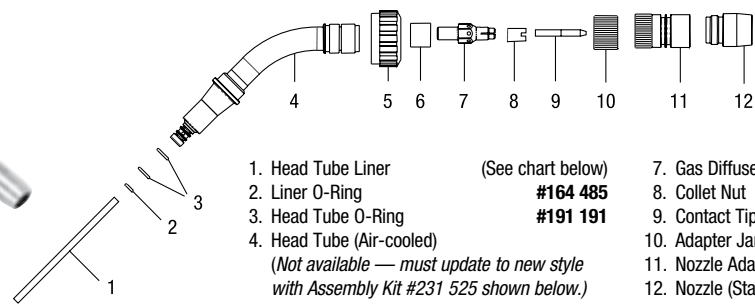
Air-cooled parts breakdown and gun shown. Consult owner's manual for water-cooled parts and consumables.

Wire Diameter	FasTip Contact Tip I.D.	XR-Pistol Drive Rolls	XR-Pistol All-Wire Dual Groove Drive Rolls	XR-Control Drive Rolls	Cable Liners
.035 in (0.9 mm) / .030 in (0.8 mm)	.041 in (1.0 mm) #206 186	#183 357	#136 135	#194 118	#191 065 15 ft (4.6 m) or
.040 in (1.0 mm) / .035 in (0.9 mm)	.047 in (1.2 mm) #206 187	#183 357	#136 135	#194 118	30 ft (9.1 m)
.045 in (1.2 mm) / —	.053 in (1.3 mm) #206 188	#183 357	#136 135	#196 301 (.040)	#191 066 50 ft (15.2 m)
.052 in (1.3 mm) / .047 in (1.2 mm)	.061 in (1.5 mm) #206 189	#183 358	#136 135	#194 119 (.047)	#197 440 500 ft (152 m)
.062 in (1.6 mm) / —	.071 in (1.8 mm) #206 190	#183 358	#136 135	#195 591	

Item #	Part # (Old Style)	Part # (New Style)	Description	Kit Quantity
	147 174	300 161	Kit, SXA Curved Nozzle 50 Degree, Machine Sales Item	
1	005 417	005 417	Nut, retaining ring	1
2	005 432	005 432	Nozzle, curve with collar	2
3	148 158	148 158	Insulator, nozzle	2
4	148 155	148 155	Tip, cont sl .030-.035 (0.8-0.9 mm) wire curved	2
	148 154 (N/A)	148 154	Tip, cont sl 3/64 (1.19 mm) wire curved	2
	148 156	148 156	Tip, cont sl 1/16 (1.6 mm) wire curved	2
5	—	136 748	Nut, compression	1
6	—	185 110	Adapter, quick-change contact tip	1
7	—	193 794	Kit, nozzle adapter	1
8	148 151	148 151	Wrench (short length), nut retaining tip contact	1
	—	222 462	Kit, 50 degree head tube (air-cooled), Machine Sales Item	1
	—	222 464	Kit, 50 degree head tube (water-cooled), Machine Sales Item	1



XR from serial number
KK082113 to LC373468



- | | | | |
|---------------------------|--|-----------------------|-------------------|
| 1. Head Tube Liner | (See chart below) | 7. Gas Diffuser | #185 110 |
| 2. Liner O-Ring | #164 485 | 8. Collet Nut | #136 748 |
| 3. Head Tube O-Ring | #191 191 | 9. Contact Tip | (See chart below) |
| 4. Head Tube (Air-cooled) | (Not available — must update to new style with Assembly Kit #231 525 shown below.) | 10. Adapter Jam Nut | #185 102 |
| 5. Lock Nut | #185 111 | 11. Nozzle Adapter | #185 100 |
| 6. Insulator | #185 097 | 12. Nozzle (Standard) | #185 100 |

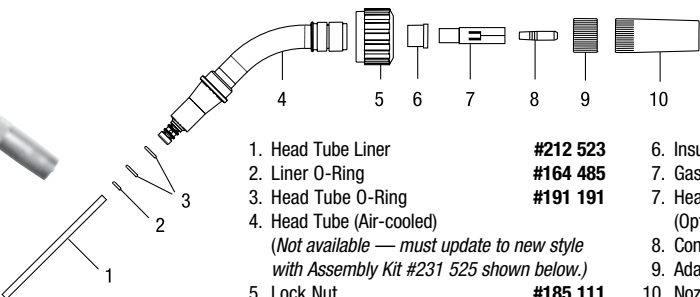
Note: For optional nozzles see page 47.

XR-Edge Consumables

Air-cooled parts breakdown and gun shown.
Consult owner's manual for water-cooled parts and consumables.

Wire Diameter	Standard Contact Tip I.D.	Optional (Smaller) Contact Tip I.D.	Gun Head Tube Liners	Aluminum Feed Cable Liners
.030 in (0.8 mm)	.041 in (1.0 mm) #135 428	.036 in (0.9 mm) #135 427	#193 793	#191 065 30 ft (9 m)
.035 in (0.9 mm)	.052 in (1.3 mm) #135 430	.041 in (1.0 mm) #147 314	#193 793	#191 066 50 ft (15.2 m)
.040 in (1.0 mm)	.052 in (1.3 mm) #135 430	—	#193 793	#197 440 500 ft (152 m)
.047 in (1.2 mm)	.061 in (1.5 mm) #135 424	.052 in (1.3 mm) #135 429	#193 792	

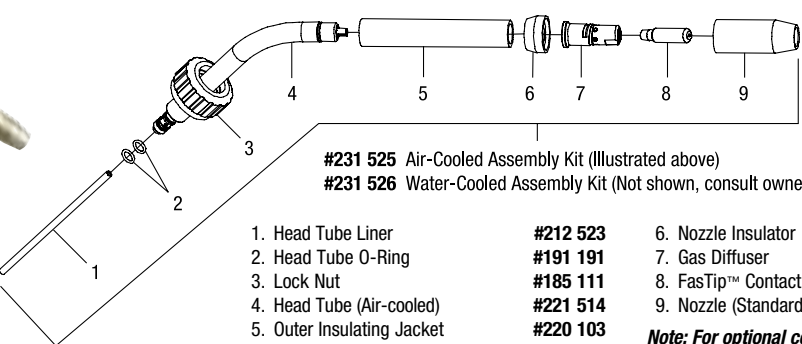
XR from serial number
LC373394 to LE033394



- | | | | |
|---------------------------|--|---------------------------------------|-------------------|
| 1. Head Tube Liner | #212 523 | 6. Insulator | #185 097 |
| 2. Liner O-Ring | #164 485 | 7. Gas Diffuser | #209 875 |
| 3. Head Tube O-Ring | #191 191 | 7. Heavy-Duty Gas Diffuser (Optional) | #202 283 |
| 4. Head Tube (Air-cooled) | (Not available — must update to new style with Assembly Kit #231 525 shown below.) | 8. Contact Tip | (See chart below) |
| 5. Lock Nut | #185 111 | 9. Adapter Jam Nut | #185 102 |
| | | 10. Nozzle (Standard) | #197 728 |

Note: For optional nozzles see page 47.

XR effective with serial number
LE033395



#231 525 Air-Cooled Assembly Kit (Illustrated above)
#231 526 Water-Cooled Assembly Kit (Not shown, consult owner's manual)

- | | | | |
|----------------------------|----------|------------------------|-------------------|
| 1. Head Tube Liner | #212 523 | 6. Nozzle Insulator | #232 284 |
| 2. Head Tube O-Ring | #191 191 | 7. Gas Diffuser | #227 749 |
| 3. Lock Nut | #185 111 | 8. FasTip™ Contact Tip | (See chart below) |
| 4. Head Tube (Air-cooled) | #221 514 | 9. Nozzle (Standard) | #199 613 |
| 5. Outer Insulating Jacket | #220 103 | | |

Note: For optional consumables see page 47.

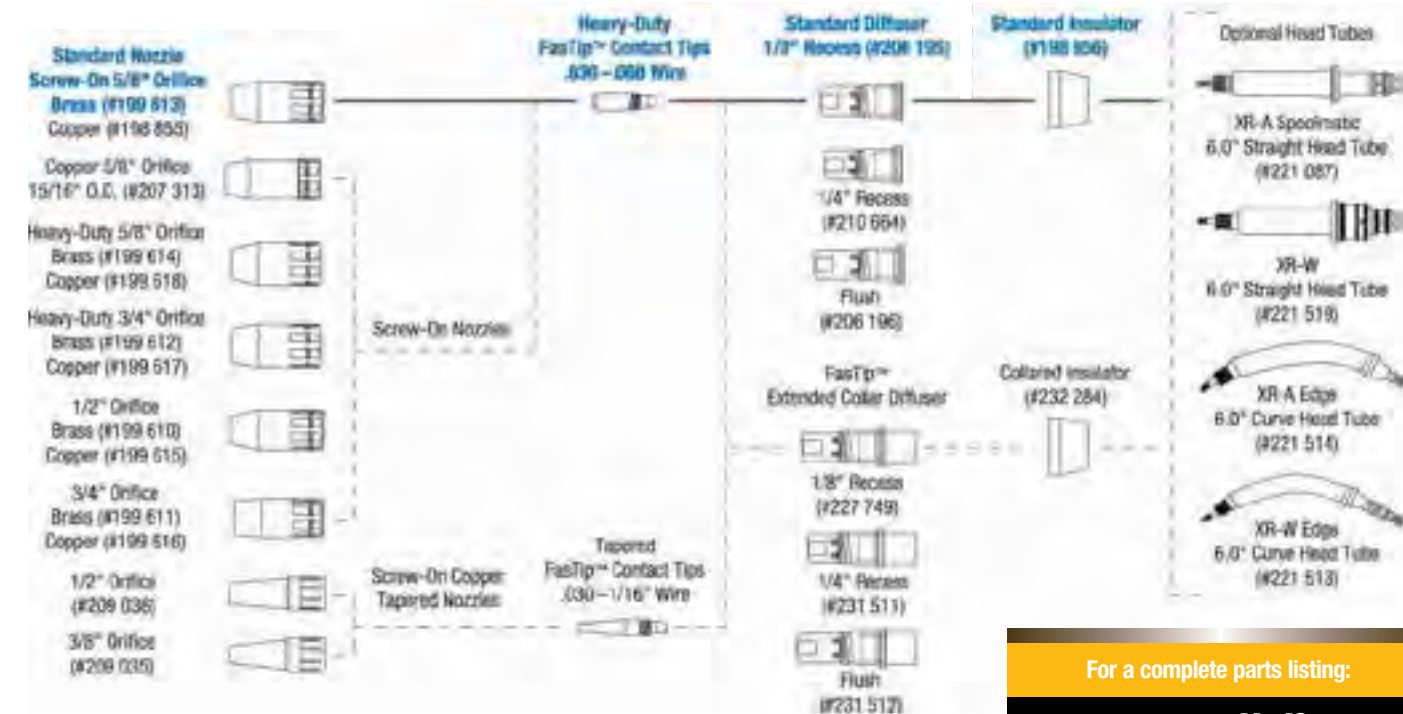
XR-Edge FasTip Consumables

Air-cooled parts breakdown and gun shown.
Consult owner's manual for water-cooled parts and consumables.

Wire Diameter Steel / Aluminum	FasTip Contact Tip I.D.	XR-Edge Drive Rolls	Optional Isolated XR-Edge Drive Rolls	XR-Control Drive Rolls	Cable Liners
.035 in (0.9 mm) / .030 in (0.8 mm)	.041 in (1.0 mm) #206 186	#194 114	#198 434 (N/A)	#194 118	#191 065 15 ft (4.6 m) or 30 ft (9.1 m)
.040 in (1.0 mm) / .035 in (0.9 mm)	.047 in (1.2 mm) #206 187	#194 115	#198 435	#194 118	#191 066 50 ft (15.2 m)
.045 in (1.2 mm) / —	.053 in (1.3 mm) #206 188	#196 302	#198 436 (N/A)	#196 301 (.040)	#197 440 500 ft (152 m)
.052 in (1.3 mm) / .047 in (1.2 mm)	.061 in (1.5 mm) #206 189	#194 116	#198 437	#194 119 (.047)	
.062 in (1.6 mm) / —	.071 in (1.8 mm) #206 190	#194 117	#198 438 (N/A)	#195 591	

New Style XR™-Edge and XR™/Spoolmatic® FasTip™ Consumables

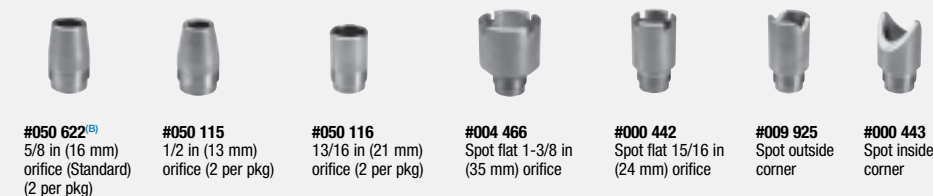
Note: Standard gun components are in blue type.



For a complete parts listing:

see pages 44–46

XR™/Spoolmatic® 30A Nozzles (Serial Numbers KD376404-LC259177)



XR™-Edge Nozzles (Serial Numbers KK082113 - LE033394)

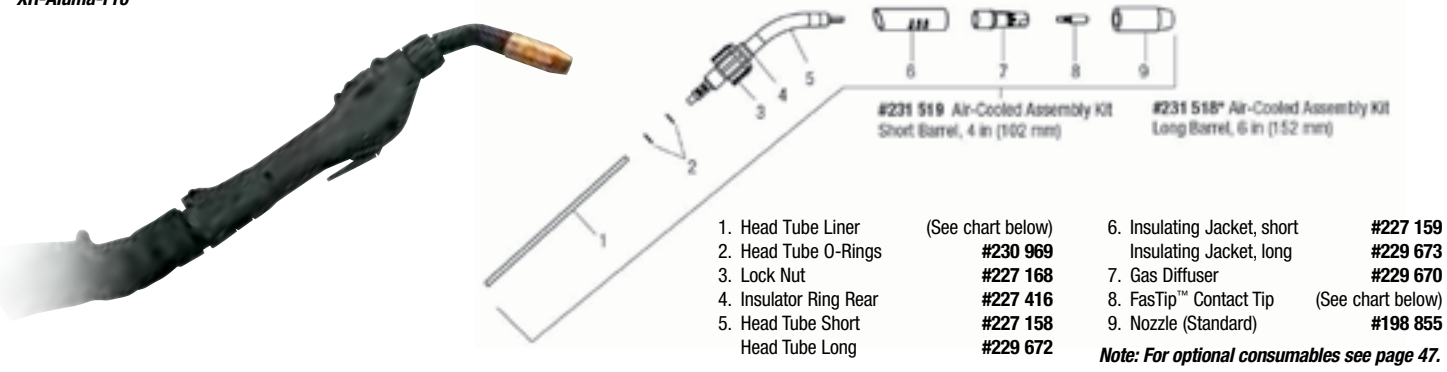


¹Can use with water-cooled guns, Nozzle Adapter Kit #193 794 required.

Contact Tips		Description
(10 p/pkg)	(25 p/pkg)	
Heavy-Duty FasTip™		
#223 016	#206 186	.030/.035 in (0.8/0.9 mm) aluminum wire
#223 017	#206 187	.035/.040 in (0.9/1.0 mm) aluminum wire
#223 018	#206 188	.040/.045 in (1.0/1.2 mm) aluminum wire
#223 019	#206 189	.052 in (1.3 mm) or 3/64 in (1.2 mm) aluminum wire
#223 200	#206 190	1/16 in (1.6 mm)
—	#206 191	.068 in (1.7 mm) or 1/16 in (1.6 mm) aluminum wire
Tapered FasTip™		
—	#209 026	.030/.035 in (0.8/0.9 mm) aluminum wire
—	#209 027	.035/.045 in (0.9/1.2 mm) aluminum wire
—	#209 028	3/64 in (1.2 mm)
—	#209 029	.052 in (1.3 mm)
—	#209 030	1/16 in (1.6 mm)



XR-Aluma-Pro



- | | | | |
|------------------------|-------------------|-----------------------------|-------------------|
| 1. Head Tube Liner | (See chart below) | 6. Insulating Jacket, short | #227 159 |
| 2. Head Tube O-Rings | #230 969 | Insulating Jacket, long | #229 673 |
| 3. Lock Nut | #227 168 | 7. Gas Diffuser | #229 670 |
| 4. Insulator Ring Rear | #227 416 | 8. FasTip™ Contact Tip | (See chart below) |
| 5. Head Tube Short | #227 158 | 9. Nozzle (Standard) | #198 855 |
| Head Tube Long | #229 672 | | |
- Note: For optional consumables see page 47.*

XR-Aluma-Pro Lite



XR-Aluma-Pro Lite Consumables

Air-cooled parts breakdown and gun shown. Consult owner's manual for water-cooled parts and consumables.

Item #	Part #	Description	Quantity
	254 477	Head Tube Assy, Aluma-Pro Lite (Including)	1
1	QT2-45	Tube, Body 45 Degree x 2.69 Lg	1
	184 005 7	Clip-on Q-Nut Cover	1
	184 003 1	Body Tube Insulating Sleeve	2
2	4323R	Insulator, Nozzle (Small)	1
	DS-1	Diffuser, C-Fire (Small Nozzle)	1
4	NS-1218C	Nozzle, C-Fire Small Copper 1/2 in. Recess 1/8 in.	1
5	T-047AL	Centerfire Contact Tip, Aluminum 3/64 in.	1
5	T-035AL	Centerfire Contact Tip, Aluminum .035	1
	M1362	Kit, Liner/Tip XR Aluma-Pro Lite (Including)	1
5	T-047AL	Centerfire Contact Tip, Aluminum 3/64 in.	1
5	T-035AL	Centerfire Contact Tip, Aluminum .035	2
6	258 541	Kit, Jump Liner Assy .030-.035 (5 pk)	1
6	258 542	Kit, Jump Liner Assy .047-.062 (5 pk)	1
6	258 726	Kit, Jump Liner Assy .030-.035 14 in. Long (5 pk)	1
6	258 727	Kit, Jump Liner Assy .047-.062 14 in. Long (5 pk)	1

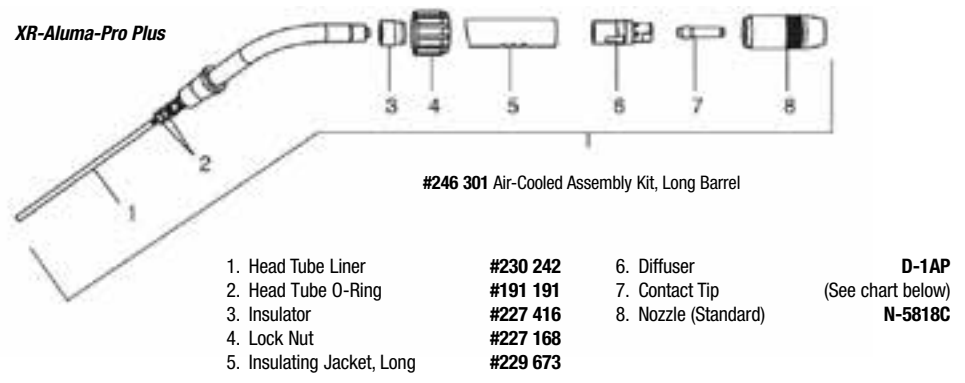
XR-Aluma-Pro Consumables

Air-cooled parts breakdown and gun shown. Consult owner's manual for water-cooled parts and consumables.

Wire Diameter Steel / Aluminum	FasTip Contact Tip I.D.	Drive Rolls	Idler Rolls	Inlet Guides	Air-Cooled Head Tube Liner Short Barrel, 4 in (102 mm)	Air/Water Cooled Head Tube Liner Long Barrel, 6 in (152 mm)	Cable Liners
.035 in (0.9 mm) / .030 in (0.8 mm)	.041 in (1.0 mm) #206 186	#227 434	#227 439	#227 408	#227 161	#229 674	#229 887 15 ft (4.6 m)
.040 in (1.0 mm) / .035 in (0.9 mm)	.047 in (1.2 mm) #206 187	#227 434	#227 439	#227 408	#227 161	#229 674	#229 891 25 ft (7.6 m)
.045 in (1.2 mm) / -	.053 in (1.3 mm) #206 188	#227 434	#227 439	#227 408	#230 239	#229 431	#232 321 35 ft (10.6 m)
.052 in (1.3 mm) / .047 in (1.2 mm)	.061 in (1.5 mm) #206 189	#227 434	#227 439	#227 408	#230 239	#229 431	#233 999 Long*
.062 in (1.6 mm) / -	.071 in (1.8 mm) #206 190	#227 434	#230 710	#230 711	#230 239	#229 431	#233 998 Short*

*Optional phos bronze liners.

XR-Aluma-Pro Plus



- | | | | |
|----------------------------|----------|----------------------|-------------------|
| 1. Head Tube Liner | #230 242 | 6. Diffuser | D-1AP |
| 2. Head Tube O-Ring | #191 191 | 7. Contact Tip | (See chart below) |
| 3. Insulator | #227 416 | 8. Nozzle (Standard) | N-5818C |
| 4. Lock Nut | #227 168 | | |
| 5. Insulating Jacket, Long | #229 673 | | |

XR-Aluma-Pro Plus Consumables

Air-cooled parts breakdown and gun shown. Consult owner's manual for water-cooled parts and consumables.

Wire Diameter Steel / Aluminum	Contact Tips (10 pack) Steel / Aluminum	Drive Rolls	Idler Rolls	Air/Water Cooled Head Tube Liner Long Barrel, 6 in (152 mm)	Cable Liners
.035 in (0.9 mm) / .030 in (0.8 mm)	T-035 / -	#227 434	#230 708	#230 235	#229 887 15 ft (4.6 m)
.040 in (1.0 mm) / .035 in (0.9 mm)	- / T-035AL	#227 434	#230 708	#230 235	#229 891 25 ft (7.6 m)
.045 in (1.2 mm) / -	T-045 / T-047AL	#227 434	#230 708	#230 432	#232 321 35 ft (10.6 m)
.052 in (1.3 mm) / .047 in (1.2 mm)	- / -	#227 434	#230 708	#230 432	#233 999 Long*
.062 in (1.6 mm) / -	T-062 / T-062AL	#227 434	#230 708	#230 432	#233 998 Short*

Air-cooled parts breakdown and gun shown. Consult owner's manual for water-cooled parts and consumables.

*Optional phos bronze liners.

Optional Head Tube Assemblies (for XR-Aluma-Pro guns)



45 Degree/4 Inch (Air-Cooled) #255 037



45 Degree/4 Inch (Water-Cooled) #255 338



45 Degree/6 Inch (Air-Cooled) #255 040



45 Degree/6 Inch Heavy-Duty (Water-Cooled) #258 293



45 Degree/6 Inch (Water-Cooled) #231 517



45 Degree/10 Inch Tight ACS (Air-Cooled) #258 295

For parts and support on the XR Python please contact MK Products at 949-863-1234



Optional Head Tube Assemblies (for XR-Aluma-Pro guns) continued...



60 Degree/4 Inch (Air-Cooled) #231 519



60 Degree/4 Inch (Water-Cooled) #255 038



60 Degree/6 Inch (Air-Cooled) #231 518



60 Degree/6 Inch (Water-Cooled) #255 041



60 Degree/6 Inch Heavy-Duty (Water-Cooled) #258 294



180 Degree/4 Inch (Air-Cooled) #255 716



180 Degree/4 Inch (Water-Cooled) #255 717



180 Degree/6 Inch (Air-Cooled) #258 476



180 Degree/6 Inch (Water-Cooled) #258 477



180 Degree/8 Inch (Air-Cooled) #255 042



180 Degree/8 Inch (Water-Cooled) #255 043



45 Degree/6 Inch with Centerfire™ (Water-Cooled) #246 205



60 Degree/6 Inch with Centerfire™ (Air-Cooled) #246 301

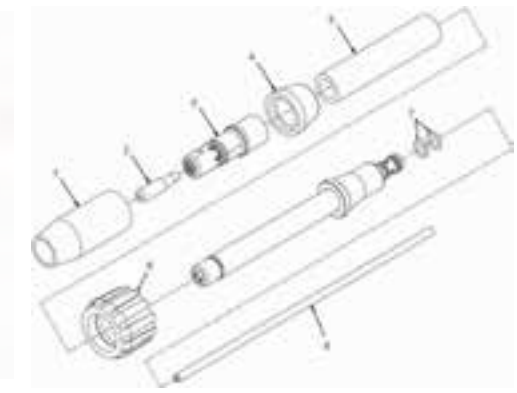


180 Degree/4 Inch with Centerfire™ (Air-Cooled) #258 474



180 Degree/4 Inch with Centerfire™ (Water-Cooled) #258 475

XR-Pistol Pro

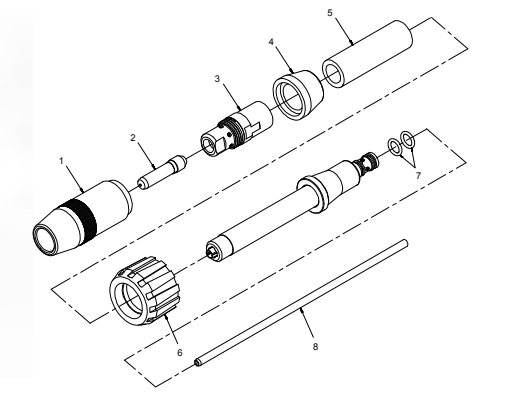


XR™-Pistol Pro Consumables

Air-cooled parts breakdown and gun shown. Consult owner's manual for water-cooled parts and consumables.

Item #	Part #	Description	Quantity
	255 716	Kit, Head Tube Assy (Air) AP/PP 180 Degree 4 in.	1
1	198 855	Nozzle, Copper 5/8 in.	1
2	206 189	Tip, Fastip .312 Od .052 And 3/64 Al Wires	1
3	229 670	Diffuser, .281/.312 Od Collar Fastip 1/8 Rec Aluma	1
4	232 284	Insulator, Nozzle Collared	1
5	M1366	Jacket Outer Insulating A/C Pistol Pro	1
6	227 168	Nut, Head Tube Rotation	1
7	191 191	O-Ring, .312 Id x .070 Cs 70 Duro Buna-n	2
8	M1273	Liner, Teflon .047-.062 Wire Pistol Pro	1
	230 969	Kit, Replacement O-Rings Head Tube Air	1

XR-Pistol Pro Plus



XR™-Pistol Pro Plus Consumables

Air-cooled parts breakdown and gun shown. Consult owner's manual for water-cooled parts and consumables.

Item #	Part #	Description	Quantity
	258 474	Kit, Head Tube Assy (Air) AP/PP 180 Degree 4 in. Lg Cntrfr	1
1	N-5818C	Nozzle, C-Fire Large Copper 5/8 in. Recess 1/8 in.	1
2	T-047AL	Contact Tip, Centerfire .047 Aluminum	1
3	D-1AP	Diffuser, Centerfire-D-1AP	1
4	232 284	Insulator, Nozzle Collared Diffuser (For 180 Degree/ Straight Only)	1
5	M1190	Insulator, Outer 180 Degree/ Straight (Air)	1
6	227 168	Nut, Head Tube Rotation	1
	230 969	Kit, Replacement)-Rings Head Tube Air (Includes)	1
7	191 191	O-Ring, .312 Id x .070 Cs 70 Duro Buna-n	2
8	M1442	Liner, Teflon .047-.062 Wire Soft Pro/Plus	1



2 Roll Kit

Base selection of drive rolls upon the following recommended usages:

1. V-Grooved rolls for hard wire.
2. U-Grooved rolls for soft and soft shelled cored wires.
3. U-Cogged rolls for extremely soft shelled wires.
4. V-Knurled rolls for hard shelled cored wires.
5. Drive roll types may be mixed to suit particular requirement (example: V-Knurled roll in combination with U-Grooved).

For a listing of special optional drive rolls: **see page 56**



4 Roll Kit

Drive Rolls

Millermatic® 200/210/212/250/251/252/DVI's/Pulser/Vintage (2 Drive Roll)
22/32/52 Series, SuitCase™ 8/12RC & 8/12VS, Reach Feeders (2 Drive Roll)

Wire Diameter			Drive Rolls			Wire Guide	
Fraction	Decimal	Metric	Type	Kit #	Individual Drive Roll Part #	Inlet Wire Guide #	
.023-.025 in	.023-.025 in	0.6 mm	V-Grooved	087 131	087 130	056 192	
.030 in	.030 in	0.8 mm	V-Grooved	079 594	053 695	056 192	
.030 and .035 in	.030 and .035 in	0.8 and 0.9 mm	V-Grooved	204 579 ¹	203 526 ¹	056 192	
.035 and .045 in	.035 and .045 in	0.9 and 1.22 mm	V-Grooved	190 300 ¹	189 285 ¹	056 193	
.035 in	.035 in	0.9 mm	V-Grooved	079 595	053 700	056 192	
.045 in	.045 in	1.2 mm	V-Grooved	079 596	053 697	056 193	
.052 in	.052 in	1.3 mm	V-Grooved	079 597	053 698	056 193	
1/16 in	.062 in	1.6 mm	V-Grooved	079 598	053 699	056 195	
.035 in	.035 in	0.9 mm	U-Grooved	044 749	072 000	221 912	
3/64 in	.047 in	1.2 mm	U-Grooved	079 599	053 701	221 912	
.052 in	.052 in	1.3 mm	U-Grooved	—	053 702	221 912	
1/16 in	.062 in	1.6 mm	U-Grooved	079 601	053 706	056 195	
5/64 in	.079 in	2.0 mm	U-Grooved	—	053 704	056 195	
3/32 in	.094 in	2.4 mm	U-Grooved	—	053 703	056 196	
7/64 in	.110 in	2.8 mm	U-Grooved	—	053 705	056 196	
1/8 in	.126 in	3.2 mm	U-Grooved	—	053 707	056 197	
.035 in	.035 in	0.9 mm	V-Knurled	079 606	132 958	056 192	
.045 in	.045 in	1.2 mm	V-Knurled	079 607	132 957	056 193	
.045 and 1/16 in	.045 and 1/16 in	1.22 and 1.6 mm	VK-Grooved	238 687 ¹	238 688 ¹	221 030	
.052 in	.052 in	1.3 mm	V-Knurled	079 608	132 956	056 193	
1/16 in	.062 in	1.6 mm	V-Knurled	079 609	132 955	056 195	
.068-.072 in	.068-.072 in	1.8 mm	V-Knurled	089 984	132 959	056 195	
5/64 in	.079 in	2.0 mm	V-Knurled	079 610	132 960	056 195	
3/32 in	.094 in	2.4 mm	V-Knurled	079 611	132 961	056 196	
7/64 in	.110 in	2.8 mm	V-Knurled	—	132 962	056 196	
1/8 in	.126 in	3.2 mm	V-Knurled	—	132 963	056 197	
.045 in	.045 in	1.2 mm	U-Cogged	083 318	083 489	056 193	
.052 in	.052 in	1.3 mm	U-Cogged	—	083 490	056 193	
1/16 in	.062 in	1.6 mm	U-Cogged	079 614	053 708	056 195	
5/64 in	.079 in	2.0 mm	U-Cogged	—	053 710	056 195	
3/32 in	.094 in	2.4 mm	U-Cogged	—	053 709	056 196	
7/64 in	.110 in	2.8 mm	U-Cogged	—	053 711	056 196	
1/8 in	.126 in	3.2 mm	U-Cogged	—	053 712	056 197	

¹Dual-size reversible drive roll

22/24 Series & SuitCase Feeders Nylon Wire Guides (For Feeding Aluminum Wire)

Wire Diameter	Inlet Guide #
.047 in (1.2 mm)	151 203
1/16 in (1.6 mm)	151 205
3/32 in (2.4 mm)	194 264

Note: Each drive roll kit contains 2 Drive Rolls and an Inlet Guide.

Note: U-Groove drive rolls are recommended when feeding aluminum wire.

Drive Rolls

Millermatic® 300/350/350P with Meters (4 Drive Roll)
54 Series, 24A & R-115 Feeders (4 Drive Roll)

Wire Diameter			Drive Rolls			Wire Guide	
Fraction	Decimal	Metric	Type	Kit #	Individual Drive Roll Part #	Inlet #	Intermediate #
.023-.025 in	.023-.025 in	0.6 mm	V-Grooved	087 132	087 130	056 192	056 206
.030 in	.030 in	0.8 mm	V-Grooved	046 780	053 695	056 192	056 206
.035 in	.035 in	0.9 mm	V-Grooved	046 781	053 700	056 192	056 206
.035 and 3/64 in	.035/.045 in	0.9/1.2 mm	V-Grooved	227 061 ¹	189 285 ¹	056 193	056 207
3/64 in	.045 in	1.2 mm	V-Grooved	046 782	053 697	056 193	056 207
.052 in	.052 in	1.3 mm	V-Grooved	046 783	053 698	056 193	056 207
1/16 in	.062 in	1.6 mm	V-Grooved	046 784	053 699	056 195	056 209
.035 in	.035 in	0.9 mm	U-Grooved	044 750	072 000	221 912	058 853
3/64 in	.047 in	1.2 mm	U-Grooved	046 785	053 701	221 912	058 853
.035 and 3/64 in	.035 and .045 in	1.9 and 1.2 mm	U-Grooved	—	232 826	221 912	233 843
.052 in	.052 in	1.3 mm	U-Grooved	—	053 702	221 912	058 837
1/16 in	.062 in	1.6 mm	U-Grooved	046 787	053 706	058 836	058 837
5/64 in	.079 in	2.0 mm	U-Grooved	—	053 704	056 195	056 209
3/32 in	.094 in	2.4 mm	U-Grooved	—	053 703	056 196	056 210
7/64 in	.110 in	2.8 mm	U-Grooved	—	053 705	056 196	056 210
1/8 in	.126 in	3.2 mm	U-Grooved	—	053 707	056 197	056 211
.035 in	.035 in	0.9 mm	V-Knurled	046 792	132 958	056 192	056 206
3/64 in	.045 in	1.2 mm	V-Knurled	046 793	132 957	056 193	056 207
.052 in	.052 in	1.3 mm	V-Knurled	046 794	132 956	056 193	056 207
1/16 in	.062 in	1.6 mm	V-Knurled	046 795	132 955	056 195	056 209
5/64 in	.079 in	2.0 mm	V-Knurled	046 796	132 960	056 195	056 209
3/32 in	.094 in	2.4 mm	V-Knurled	046 797	132 961	056 196	056 210
7/64 in	.110 in	2.8 mm	V-Knurled	—	132 962	056 196	056 210
1/8 in	.126 in	3.2 mm	V-Knurled	—	132 963	056 197	056 211
3/64 in	.045 in	1.2 mm	U-Cogged	—	083 489	056 193	056 207
.052 in	.052 in	1.3 mm	U-Cogged	—	083 490	056 193	056 207
1/16 in	.062 in	1.6 mm	U-Cogged	—	053 708	056 195	056 209
5/64 in	.079 in	2.0 mm	U-Cogged	—	053 710	056 195	056 209
3/32 in	.094 in	2.4 mm	U-Cogged	—	053 709	056 196	056 210
7/64 in	.110 in	2.8 mm	U-Cogged	—	053 711	056 196	056 210
1/8 in	.126 in	3.2 mm	U-Cogged	—	053 712	056 197	056 211

¹Dual-size reversible V-groove drive roll (one .035 and one .045 in groove)

Wire Diameter	Inlet Guide #	Intermediate Guide #
.035-.047 in (0.9-1.2 mm)	058 854	058 853
1/16 in (1.6 mm)	058 836	058 837
.023-.052 in (0.6-1.3 mm)	221 912	233 843

Note: Each drive roll kit contains 4 Drive Rolls, an Inlet Guide, and an Intermediate Guide.

Note: U-Groove drive rolls are recommended when feeding aluminum wire.



Base selection of drive rolls upon the following recommended usages:

1. V-Grooved rolls for hard wire.
2. U-Grooved rolls for soft and soft shelled cored wires.
3. U-Cogged rolls for extremely soft shelled wires.
4. V-Knurled rolls for hard shelled cored wires.
5. Drive roll types may be mixed to suit particular requirement (example: V-Knurled roll in combination with U-Grooved).

For a listing of special optional drive rolls: **see page 56**

Drive Rolls 62 series feeders, Pipe Pro 12 RC (2 roll kits), 64, 74 series feeder, Pipe Pro Single, Pipe Pro Single DX, Pipe Pro Dual DX, Pipe Worx 400 and all Axxess Feeders (4 roll kit)

Wire Diameter			Drive Rolls				Wire Guide		
Fraction	Decimal	Metric	Type	2 Roll Kit #	4 Roll Kit #	Individual Part #	Inlet #	Intermediate #	Antiwear #
.023-.025 in	.023-.025 in	0.6 mm	V-Grooved	151 030	151 024	087 130	150 993	149 518	045 233
.030 in	.030 in	0.8 mm	V-Grooved	—	151 025	053 695	150 993	149 518	045 233
.035 in	.035 in	0.9 mm	V-Grooved	151 032	151 026	053 700	150 993	149 518	045 233
.035 and 3/64 in	.035/.045 in	0.9/1.2 mm	V-Grooved	190 300 ¹	209 533 ¹	189 285 ¹	150 994	149 519	045 233
.040 in	.040 in	1.0 mm	V-Grooved	—	161 190	053 696	150 993	149 518	045 233
3/64 in	.045 in	1.2 mm	V-Grooved	151 033	151 027	053 697	150 994	149 519	045 233
.052 in	.052 in	1.3 mm	V-Grooved	151 034	151 028	053 698	150 994	149 519	045 233
1/16 in	.062 in	1.6 mm	V-Grooved	—	151 029	053 699	150 995	149 520	045 233
.035 in	.035 in	0.9 mm	U-Grooved	151 044	151 036	072 000	150 993	149 518	045 233
.035 and 3/64 in	.035/.045 in	1.9/1.2 mm	U-Grooved	—	244 293	232 826	221 912	242 417 (.035) 205 936 (3/64)	
3/64 in	.045 in	1.2 mm	U-Grooved	151 045	151 037	053 701	150 994	149 519	045 233
.047 in	.047 in	1.2 mm	U-Grooved	—	243 234	053 701	221 912	205 936	
.052 in	.052 in	1.3 mm	U-Grooved	—	—	053 702	150 994	149 519	045 233
1/16 in	.062 in	1.6 mm	U-Grooved	151 047	151 039	053 706	150 995	149 520	045 233
5/64 in	.079 in	2.0 mm	U-Grooved	—	—	053 704	150 995	149 520	045 233
3/32 in	.094 in	2.4 mm	U-Grooved	—	151 041	053 703	150 996	149 521	045 233
7/64 in	.110 in	2.8 mm	U-Grooved	—	—	053 705	150 996	149 521	045 233
1/8 in	.126 in	3.2 mm	U-Grooved	—	—	053 707	150 997	149 522	045 233
.035 in	.035 in	0.9 mm	V-Knurled	151 061	151 052	132 958	150 993	149 518	045 233
3/64 in	.045 in	1.2 mm	V-Knurled	151 062	151 053	132 957	150 994	149 519	045 233
.052 in	.052 in	1.3 mm	V-Knurled	—	151 054	132 956	150 994	149 519	045 233
1/16 in	.062 in	1.6 mm	V-Knurled	151 064	151 055	132 955	150 995	149 520	045 233
.068-.072 in	.068-.072 in	1.8 mm	V-Knurled	151 065	151 056	132 959	150 995	149 520	045 233
5/64 in	.079 in	2.0 mm	V-Knurled	151 066	151 057	132 960	150 995	149 520	045 233
3/32 in	.094 in	2.4 mm	V-Knurled	151 067	151 058	132 961	150 996	149 521	045 233
7/64 in	.110 in	2.8 mm	V-Knurled	—	151 059	132 962	150 996	149 521	045 233
1/8 in	.126 in	3.2 mm	V-Knurled	—	151 060	132 963	150 997	149 522	045 233
3/64 in	.045 in	1.2 mm	U-Cogged	—	151 070	083 489	150 994	149 519	045 233
.052 in	.052 in	1.3 mm	U-Cogged	—	—	083 490	150 994	149 519	045 233
1/16 in	.062 in	1.6 mm	U-Cogged	—	151 072	053 708	150 995	149 520	045 233
5/64 in	.079 in	2.0 mm	U-Cogged	—	151 073	053 710	150 995	149 520	045 233
3/32 in	.094 in	2.4 mm	U-Cogged	—	—	053 709	150 996	149 521	045 233
7/64 in	.110 in	2.8 mm	U-Cogged	—	—	053 711	150 996	149 521	045 233
1/8 in	.126 in	3.2 mm	U-Cogged	—	—	053 712	150 997	149 522	045 233

¹Dual-size reversible V-groove drive roll (one .035 and one .045 in groove)

60 & 70 Series Nylon Wire Guides (For Feeding Aluminum Wire)

Wire Diameter	Inlet Guide #	Intermediate Guide #
.047 in (1.2 mm)	151 203	151 204
1/16 in (1.6 mm)	151 205	151 206
3/32 in (2.4 mm)	151 207	151 208

Note: Each drive roll kit contains 2 or 4 Drive Rolls, an Inlet Guide, an Intermediate Guide, and #045 233 Antiwear Guide with #604 612 Setscrew 8-32 x .125.

Note: U-Groove drive rolls are recommended when feeding aluminum wire.

Miller Drive Rolls

Machine	V-Groove .023/.024 (0.6 mm)	V-Groove .030 (0.8 mm)	V-Groove .035 (0.9 mm)	V-Groove .045 (1.2 mm)	V-Knurled .030 (0.8 mm)	V-Knurled .035 (0.9 mm)	V-Knurled .045 (1.2 mm)	V-Knurled .062 (1.6 mm)	Inlet Wire Guide
SideKick™/SideKick™ XL	090 423	090 423	090 423	—	165 603	165 603	127 229	—	058 549 ⁵
Cricket®/Cricket® XL	119 028	119 028	—	—	119 028	119 028	119 028	—	058 549
Millermatic® 35	058 553 & 057 590	057 590 (2)	057 590 (2)	—	—	—	—	—	058 549 ⁶
Millermatic® 90/130/Challenger™	119 028	119 028	—	—	119 028	119 028	119 028	—	058 549
Millermatic® 130 XP/150/185/Challenger™ 172	090 423	090 423	090 423	—	165 603	165 603	127 229	—	058 549
Millermatic® 135/175/180s/140s/211/Passport™/Passport™ Plus	202 925	202 925	202 925	—	202 926	202 926	202 926	—	058 549
Millermatic® 1 200/210/212s /250/250X/251/252/300 without Meters/DVI®/Pulsar/Vintage/Reach	087 131 (kit)	079 594 (kit)	079 595 (kit)	079 596 (kit)	—	079 606	079 607	—	Page 52
Millermatic® 300 with Meters/350P	087 132	046 780	046 781	046 782	—	046 792	046 793	—	Page 53
Multimatic® 200	220 179	220 179	220 179	—	202 926	202 926	202 926	202 926	Page 53
Spoolmate™ 100/185/3035	—	—	—	—	186 414 186 413	186 414 186 413	—	—	186 410
Spoolmate™ 250/3545	—	—	—	—	186 414 186 413	186 414 186 413	199 397 199 396	—	186 410
Spoolmatic® 15A/30A	—	—	—	—	136 135 ³ 183 357 ⁴	136 135 ³ 183 357 ⁴	136 135 ³ 183 358 ⁴	136 135 ³ 183 358 ⁴	132 521
Spoolmatic® 1, 2, 3	—	—	—	—	053 131	053 131	053 131	053 131	058 549
XR™-15/XR™-30 ²	—	—	—	—	053 131	053 131	053 131	053 131	On Conduit
XR™-A/XR™-W Pistol	—	—	—	—	136 135 ³ 183 357 ⁴	136 135 ³ 183 357 ⁴	136 135 ³ 183 358 ⁴	136 135 ³ 183 358 ⁴	On Conduit
XR™-Edge	—	—	—	—	194 114 —	194 115 198 435	194 116 198 437	194 117 —	On Conduit
XR™-Auma-Pro™ XR Aluma-Pro Lite XR Aluma-Pro Plus	—	—	—	—	227 434	227 434	227 434	—	227 408 ⁷ 230 711 ⁸

¹Dual V-Groove .030 & .035 (0.8 & 0.9 mm) drive roll kit also available #204 579
²Prior to serial number KC171637
³Dual-groove drive roll, large and small covering all wire sizes
⁴Dual-groove drive roll covering two sizes

⁵Prior to serial number JJ497360 - #056 081
⁶Prior to serial number JJ389988 - #056 081
⁷#227 408 compatible with .030, .035 & .045 in wire
⁸#230 711 compatible with 1/16 in wire

Hobart Drive Rolls

Machine	Hard Wire (Steel)			Soft Wire (Aluminum)	HT Wire (Hard Tubular)			Inlet Wire Guide
	V-Groove .024 (0.6 mm)	V-Groove .030-.035 (0.8-0.9 mm)	V-Groove .045 (1.2 mm)	Urethane .035 (0.9 mm)	V-Knurled .030-.035 & .045 (0.8-0.9 & 1.2 mm)	Rev. Knurled .030 & .035 (0.8 & 0.9 mm)	Rev. Knurled .039-.045 (0.8-1.2 mm)	
Handler® 120/130XL/135/140/150/170/175/180/187/190/210	202 925 or 407230-004	202 925 246 565 [*]	407230-004	—	202 926	193 330	193 331	197 309 ⁹
IronMan™ 210/250	—	202 925	407230-004	—	202 926	193 330	193 331	197 309 ⁹
IronMan™ 275 IronMan™ 230	Standard drive roll is part number 235286 v-grooved wire size is .030 - .035 other sizes available on page 48 under 52 series feeders.							
Handler® 125, 125EZ	#212 379 — 2-sided combination roll (.024 V-groove) (.030/.035 VK-groove)							212 368 242 524 (wire size .023-.045)

Note: For all Beta-MIG drive rolls, contact Miller Service Parts
⁹Available for Handler 120 and IronMan 210
^{*}Part number available on ALL Handler models with serial number MDXXXXXX and after



Conversion Kits

Part #	Description	Part #	Description
155 454	2 Roll Conversion Kit	155 455	4 Roll Conversion Kit

Quick-Change Drive Roll Carrier Kits... Save Time... Save Money!

Changing drive rolls on the older series Miller wire feeders is a snap with the quick-change drive roll carrier kits listed below. Once converted, the old routine of removing the drive rolls screw-by-screw (3-per drive roll) is history! Now, all that's required to change a drive roll is a turn of the wrist and off comes the old drive roll and on with the new! Customers will save time, money and frustration. Also, installations with both the old series feeders and our 60 and 70 Series feeders will appreciate being able to update their older equipment and standardize procedures. Kits are available for feeders manufactured prior to serial number KF876252 outlined below.

For 2 Drive Roll Feeders

- S-22A, S-22P8, S-22P12
- S-32S, S-32SL
- S-32P8, S-32P12
- S-32SC8, S-32SC12
- S-52A, S-52D, S-52E, S-52M
- D-52A, D-52D, D-52M
(Two kits required on these models)
- 50 Series style Swingarc™
- Porta-MIG
- Millermatic® 200
- Millermatic® 250 and 250MP
(Prior to serial number KF785867)

For 4 Drive Roll Feeders

- S-54A, S-54D, S-54E, S-54M
- D-54A, D-54D, D-54M
(Two kits required for Dual Feeders)

For Automatic Wire Drive Assemblies

- A1-2, A1D-2
- A2-2L, A2-2H
- A1-4, A1D-4
- A2-4L, A2-4H



2 Roll Conversion Kit #155 454



4 Roll Conversion Kit #155 455

Special Optional Drive Rolls

For 22/32/52/54/60/70 Series Feeders

Part #	Description
#203 526	Dual V-Groove (one .030 and one .035 in groove)
#189 285	Dual V-Groove (one .035 and one .045 in groove)
#190 300	Dual V-Groove (2 drive rolls each with one .035 and one .045 in groove plus inlet guide)
#209 533	Dual V-Groove 4 Roll Kit (4 drive rolls each with one .035 and one .045 in groove plus guides and setscrew)
#198 078	No-Groove, Universal Quick-Change (Steel)
#088 402	No-Groove, Non-Quick-Change (Hard Urethane — Green)
#0537160010890	No-Groove (Soft Urethane — Blue)

Spectrum® Plasma Torch History

Model	Machine Stock #	Original Torch	Recommended Replacement
Spectrum® 125C	907149, 907169	ICE-12C, pg 62	ICE-12C, 20 ft (6.1 m) Hand-Held #195172, pg 62
Spectrum® 300	903479, 903787	ICE-25C, pg 62	ICE-25CX, 20 ft (6.1 m) Hand-Held #195007, pg 62
Spectrum® 375	903891, 903871 CE	ICE-27C, pg 62	XT-30C, 20 ft (6.1 m) Hand-Held #255685, pg 59
	907 532	XT-30C, pg 59	XT-30C, 20 ft (6.1 m) Hand-Held #255685, pg 59
Spectrum® 375 X-TREME™	907339, 907303	ICE-27T, pg 62	XT-30, 12 ft (3.7 m) Hand-Held #249949, pg 59
	907529	XT-30, pg 59	XT-30, 12 ft (3.7 m) Hand-Held #249949, pg 59
Spectrum® 500	903143, 903144, 903145, 903146, 903187, 903201	APT-5000	ICE-50, 30 ft (9 m) Hand-held #169199 ¹ , pg 62 ICE-50, 50 ft (15.2 m) Hand-Held #169244 ¹ , pg 66
Spectrum® 625	907058, 907058011	ICE-40C, pg 63	ICE-40C, 25 ft (7.6 m) Hand-Held #195110, pg 63 ICE-40C, 50 ft (15.2 m) Hand-Held #195111, pg 63
Spectrum® 625 X-TREME	907404, 907404011 90740401012 907531, 907531001	ICE-40T, pg 63 XT-40, pg 60	XT-40, 12 ft (3.7 m) Hand-Held #249951, pg 60 XT-40, 20 ft (6.1 m) Hand-Held #249952, pg 60 XT-40, 12 ft (3.7 m) Hand-Held #249951, pg 60 XT-40, 20 ft (6.1 m) Hand-Held #249952, pg 60
Spectrum® 625 X-TREME	907579, 907579001 907579002, 907579003	XT-40 w/Connect	XT-40, 12 ft (3.7 m) Hand-Held W/ Disconnect #260633, pg 60 XT-40, 20 ft (6.1 m) Hand-HeldW/ Disconnect #260635, pg 60 XT-40M Machine Long Body 25 ft (7.6 m) # 259365, pg 60 XT-40M Machine Torch Short Body 25 ft (7.6 m) # 257462, pg 60
Spectrum® 650	903788, 903790	ICE-50C, pg 64	ICE-50C, 25 ft (7.6 m) Hand-Held #176824, pg 64 ICE-50C, 50 ft (15.2 m) Hand-Held #176826, pg 64 ICE-50CM, 50 ft (15.2 m) Machine-Held #176828, pg 65 Note: ICE-55C Not Recommended
Spectrum® 700	903444, 903445 903446, 903447	ICE-50, pg 64	ICE-50, 30 ft (9 m) Hand-Held #169199, pg 64 ICE-50, 50 ft (15.2 m) Hand-Held #169244, pg (N/A) ICE-70 with 50 Amp Tip, 30 ft (9 m) Hand-Held #169203, pg 66 ICE-70 with 50 Amp Tip, 50 ft (15.2 m) Hand-Held #169245, pg 66
Spectrum® 701	903791, 903780, 903792	ICE-50C, pg 64	ICE-50C, 25 ft (7.6 m) Hand-Held #176824, pg 64 ICE-50C, 50 ft (15.2 m) Hand-Held #176826, pg 64 ICE-50CM, 50 ft (15.2 m) Machine-Held #176828, pg 65 Note: ICE-55C Not Recommended.
Spectrum® 750	903193, 903194, 903195	APT-7000	ICE-70, 30 ft (9 m) Hand-Held #169203 ² , pg 68 ICE-70, 50 ft (15.2 m) Hand-Held #169245 ² , pg 68 ICE-100 with 70 Amp Tip, 30 ft (9 m) Hand-Held #169207 ² , pg 68
Spectrum® 875	907390011 907390012	ICE-60T, pg 67	ICE-60T, 20 ft (7.6 m) Hand-Held #234132, pg 67 ICE-60T, 50 ft (15.2 m) Hand-Held #234134, pg 67 XT-60, 20 ft Hand-Held Torch #249953, pg 61 XT-60, 50 ft Hand-Held Torch # 249954, pg 61 XT-60M, 25 ft Machine Torch # 249955, pg 61 XT-60M, 50 ft Machine Torch #249956, pg 61
Spectrum® 875	907583 907583001 907583002 907583003	XT-60 pg 61	XT60 20 ft (7.6 m) Hand-Held #249953, pg 61 XT60 50 ft (15.2 m) Hand-Held #249954, pg 61 XT60M 25 ft (7.6 m) Machine Torch Long Body #249955, pg 61 XT60M 50 ft (15.2 m) Machine Torch Long Body #249956, pg 61
Spectrum® 875 Auto-Line	907396 907396001		ICE-60TM, 25 ft (7.6 m) Machine-Held #234136, pg 67 ICE-60TM, 50 ft (15.2 m) Machine-Held #234138, pg 67 ICE-60TM, 25 ft (7.6 m) Machine-Held Torch with Pendant #300759, pg 67 Kit, ICE-60TM, Machine Torch 50 ft #300760
Spectrum® 875 Auto-Line	907584 907584001 907584002 907584003 907584004 907584005		XT60M 25 ft (7.6 m) Machine Torch Short Body #257464, pg 61 XT60M 50 ft (15.2 m) Machine Torch Short Body #263952, pg 61

More Torch models continued on next page

¹Requires Retrofit Kit #172 155 ²Requires Retrofit Kit #172 156 (N/A) ³Requires Remote Pendant Control #180 605

⁴Requires Remote Pendant Control #195 513 ⁵Requires Retrofit Kit #172 157

Please order replacement torches through Miller Service Parts. Telephone: 1-866-931-9730 Fax: 1-800-637-2315



Spectrum® Plasma Torch History Continued

Spectrum® 1000	903 448, 903 449	ICE-70, pg 66	ICE-70, 30 ft (9 m) Hand-Held #169203, pg 66 ICE-70, 50 ft (15.2 m) Hand-Held #169245, pg 66 ICE-100 with 70 Amp Tip, 30 ft (9 m) Hand-Held #169207, pg 66 ICE-100 with 70 Amp Tip, 50 ft (15.2 m) Hand-Held #169246, pg 66
	907 162	ICE-80T, pg 70	ICE-80T, 25 ft (7.6 m) Hand-Held #195223, pg 70 ICE-80T, 50 ft (15.2 m) Hand-Held #195225, pg 70 ICE-80TM, 25 ft (7.6 m) Machine-Held #195221, pg 71, No Pendant ⁴ ICE-80TM, 50 ft (15.2 m) Machine-Held #223535, pg 71, No Pendant ⁴
Spectrum® 1250	903 450, 903 451, 903 452	ICE-100, pg 66	ICE-100, 30 ft (9 m) Hand-Held #169207, pg 66 ICE-100, 50 ft (15.2 m) Hand-Held #169246, pg 66 ICE-100M, 50 ft (15.2 m) Machine-Held #169247, (N/A)
Spectrum® 1251	907 305	ICE-100T, pg 72	ICE-100T, 25 ft (7.6 m) Hand-Held #225702, pg 72 ICE-100T, 50 ft (15.2 m) Hand-Held #225704, pg 72 ICE-100TM, 25 ft (7.6 m) Machine-Held #225706 ⁴ , pg 72 ICE-100TM w/Pendant, 25 ft (7.6 m) Machine-Held #226057 ⁴ , pg 72 ICE-100TM, 50 ft (15.2 m) Machine-Held #225708 ⁴ , pg 72 ICE-100TM, 50 ft (15.2 m) Machine-Held #226058 ⁴ , pg 72
Spectrum® 1500	903 147, 903 148, 903 186, 903 149	APT-8000	ICE-70, 30 ft (9 m) Hand-Held #169203 ⁵ , pg 66 ICE-70, 50 ft (15.2 m) Hand-Held #169245 ⁵ , pg 66 ICE-100 with 70 Amp Tip, 30 ft (9 m) Hand-Held #169207 ⁵ , pg 66
Spectrum® 1500D	907 305	APT-8000	ICE-70, 30 ft (9 m) Hand-Held #169203, pg 66 ICE-70, 50 ft (15.2 m) Hand-Held #169245, pg 66 ICE-100 with 70 Amp Tip, 30 ft (9 m) Hand-Held #169207, pg 66
Spectrum® 2050	903 789	ICE-50C, pg 64	ICE-50C, 25 ft (7.6 m) Hand-Held #176824, pg 64 ICE-50C, 50 ft (15.2 m) Hand-Held #176826, pg 64
Spectrum® 2255	903 735	ICE-55C, pg 65	ICE-55C, 25 ft (7.6 m) Hand-Held #193347, pg 65 ICE-55C, 50 ft (15.2 m) Hand-Held #193348, pg 65 ICE-55CM, 50 ft (15.2 m) Machine-Held #193349, pg 65, No Pendant ICE-80CX, 25 ft (7.6 m) Hand-Held #216300, pg 70
Spectrum® 3080	903 793, 903 795	ICE-80C, pg 69	ICE-80CX, 25 ft (7.6 m) Hand-Held #216300, pg 70 ICE-80CX, 50 ft (15.2 m) Hand-Held #218044, pg 70 ICE-80CXM, 50 ft (15.2 m) Machine-Held #219944, pg 71
Spectrum®LYNX	903 552	ICE-50C, pg 64	ICE-50C, 25 ft (7.6 m) Hand-Held #176824, pg 64 ICE-50C, 50 ft (15.2 m) Hand-Held #176826, pg 64 Note: ICE-55C Not Recommended
Spectrum® Thunder	903 741, 903 742	ICE-12C, pg 62	ICE-12C, 20 ft (6.1 m) Hand-Held (kit) # 216407, pg 62
Spectrum® PLUS	903 454, 903 460, 903 781	MC-80	MC-80, 25 ft (7.6 m) Hand-Held #171847 (N/A) No Replacement Torch available
Spectrum® 1250MG	903 498, 903 499, 903 502	ICE-102	No Replacement Torch available
Spectrum® 187	903 142, 903 177	APT-1000	No Replacement Torch available
Spectrum® 187D	903 139	APT-1000	No Replacement Torch available
Spectrum® 250D	903 140	APT-3000	No Replacement Torch available

Leather Torch Cable Covers	239 642
Description	Part #
20 ft Cable Cover	239 642
25 ft Cable Cover	231 867
50 ft Cable Cover	231 868

¹Requires Retrofit Kit #172 155 ²Requires Retrofit Kit #172 156 (N/A) ³Requires Remote Pendant Control #180 605
⁴Requires Remote Pendant Control #195 513 ⁵Requires Retrofit Kit #172 157.
Please order replacement torches through Miller Service Parts. Telephone: 1-866-931-9730 Fax: 1-800-637-2315

AirForce™ and Cybercut (Hobart) Plasma Torch History

Model	Machine Stock #	Original Torch	Recommended Replacement
AirForce™ 250	500 436	ICE-12C, pg 62	ICE-12C, 20 ft (6.1 m) Hand-Held #216 407, pg 62
AirForce™ 250A	500 437	ICE-12C, pg 62	ICE-12C, 20 ft (6.1 m) Hand-Held #216 407, pg 62
AirForce™ 250CI	500 534	HP-25, pg 74	HP-25, 16 ft (5 m) Hand-Held #232 647, pg 74
AirForce™ 375	500 453	ICE-25C, pg 62	ICE-25CX, 20 ft (6.1 m) Hand-Held #195 007, pg 62
AirForce™ 400	500 474	ICE-27C, pg 62	XT-30C, 20 ft (6.1m) Hand-Held #255 685, pg 62
AirForce™ 500i	500 548	HP-50, pg 74	HP-50, 16 ft (5 m) Hand-Held #244 121, pg 74
AirForce™ 625	500 493, 500 494	ICE-40C, pg 63	ICE-40C, 25 ft (7.6 m) Hand-Held #195 110, pg 63 ICE-40C, 50 ft (15.2 m) Hand-Held #195 111, pg 63
AirForce™ 700i	500 546	HP-70, pg 74	HP-70, 16 ft (5 m) Hand-Held #244 122, pg 74
AirForce™ 750	500 455	ICE-50C, pg 64	ICE-50C, 25 ft (7.6 m) Hand-Held #176 824, pg 64
Cybercut 1025	903 665	ICE-25C, pg 62	ICE-25CX, 20 ft (6.1 m) Hand-Held #195 007, pg 62
Cybercut 2050	903 667, 903 678, 903 666	ICE-55C, pg 65	ICE-55C, 25 ft (7.6 m) Hand-Held #193 347, pg 65 ICE-55C, 50 ft (15.2 m) Hand-Held #193 348, pg 65 ICE-55CM, 50 ft (15.2 m) Machine-Held #193 349, pg 65

Please order replacement torches through Miller Service Parts. Telephone: 1-866-931-9730 Fax: 1-800-637-2315

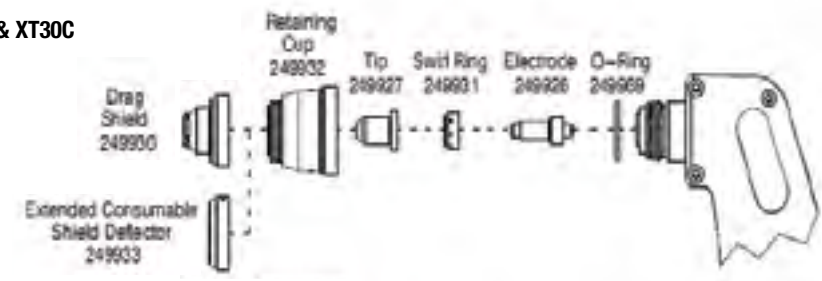
XT30 & XT30C Service Parts/Consumables

Item #	Part #	Description	Quantity
	249 949	XT30 Torch, Replacement 12 ft	1
	255 685	XT30C Torch Replacement 20 ft	1
1	249 970	Torch Handle Kit	1
2	249 971	Torch Trigger	1
3	249 957	Leads 12 ft (XT-30)	1
3	255 686	Leads 20 ft (XT-30C)	1
4	252 938	Torch Body w/Cup Switch	1
5	249 975	Torch Trigger Assembly w/Spring	1
6	252 951	Grease, Silicone	1
		Consumables	
	249 930	Drag Shield	
	249 933	Shield Deflector	
	249 932	Retaining Cup	
	249 927	Tip	
	249 931	Swirl Ring	
	249 926	Electrode	
	249 969	O-Ring	
	253 054	Stand-Off Guide	
	253 055	Circle Cutting Guide	
	253 520	Consumables Kit XT30	



XT30 & XT30C Torch

Consumables for XT30 & XT30C





XT40 Service Parts/Consumables

Item #	Part #	Description	Quantity
	249 951	XT40 Torch Replacement 12 ft	
	249 952	XT40 Torch Replacement 20 ft	
	260 633	XT40 Torch Replacement 12 ft W/ Disconnect	
	260 635	XT40 Torch Replacement 20 ft W/ Disconnect	
1	249 970	Torch Handle Kit	1
2	249 971	Torch Trigger	1
3	249 959	XT40 Lead 12 ft	1
3	249 960	XT40 Lead 20 ft	1
3	260 637	XT40 Lead 12 ft W/ Disconnect	1
3	260 638	XT40 Lead 20 ft W/ Disconnect	1
4	252 938	Torch Body Kit	1
5	249 972	Torch Trigger Assembly W/ Spring	1
	259 305	XT40M Machine Torch Long Body	
	257 462	XT40M Machine Torch Short Body	
1	259 363	Mounting Screw	3
2	259 361	Mounting Sleeve	1
3	259 333	Kit, Torch Body W/Switch	1
4	263 389	Positioning Sleeve Short Body	1
5	259 357	Positioning Sleeve Long Body	1
6	259 359	Stain Relief	1
7	259 330	Torch Replacement Leaks 25 ft	1
	253 521	Consumables Kit XT40	

XT40 & XT40 with Disconnect



XT60 & XT60M Service Parts/Consumables

Item #	Part #	Description	Quantity
	249 953	XT60, 20 ft Replacement Torch	
	249 954	XT60, 50 ft Replacement Torch	
1	263 950	Torch Handle Kit	1
2	249 971	Torch Trigger	1
3	249 961	XT60, Lead 20 ft	1
3	249 962	XT60, Lead 50 ft	1
4	256 039	Torch Body Kit	1
5	249 972	Torch Trigger Assembly W/Spring	1
		XT60M Torches	
	249 955	XT60M, 25 ft Long Body Machine Torch	
	249 956	XT60M, 50 ft Long Body Machine Torch	
	257 464	XT60M, 25 ft Short Body Machine Torch	
	263 952	XT60M, 50 ft Short Body Machine Torch	
1	259 357	Long Body Positioning Sleeve	1
2	263 389	Short Body Positioning Sleeve	1
3	249 963	XT60M Lead, W/QD 25 ft	1
3	249 964	XT60M Lead, W/QD 50 ft	1
4	259 361	Torch Sleeve	1
5	256 040	Main Body W/Switch	1
6	259 334	Cup Detect Switch	1
7	243 754	Kit, XT60M QD W/Wing Head Fastener	1

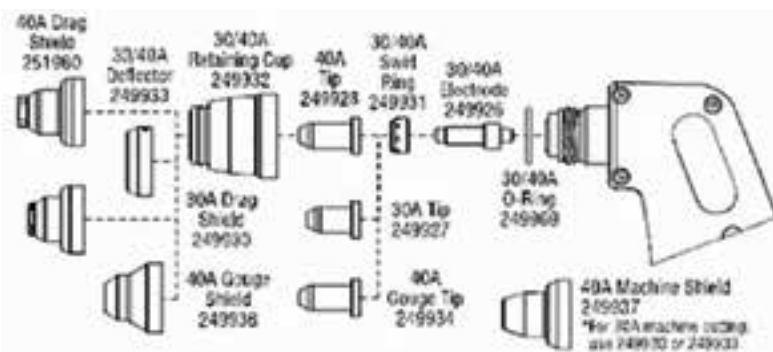


XT60 Torch



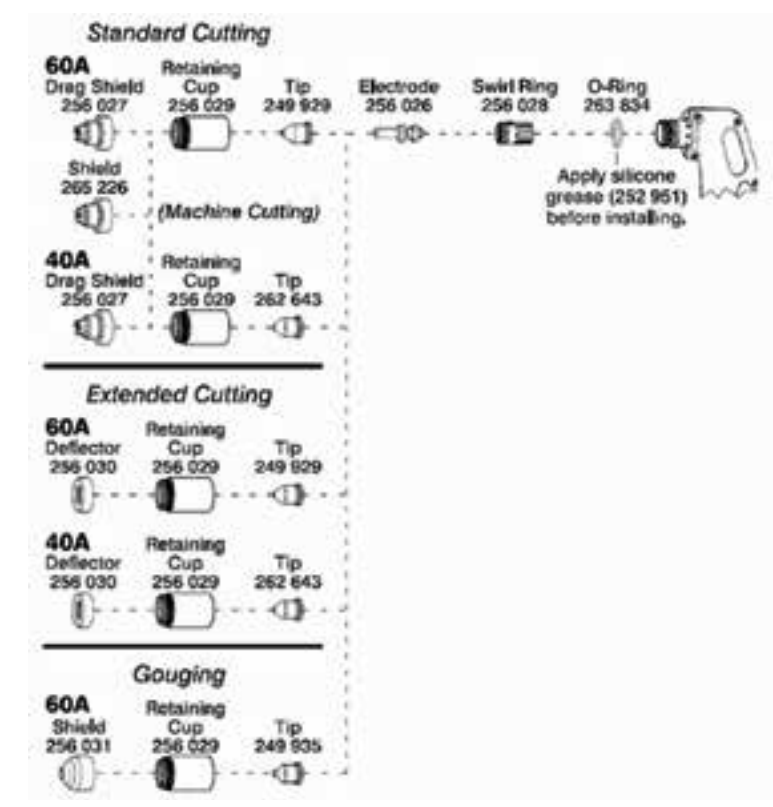
XT60M Torch

Consumables for XT40



263 310 Shield Sense

Consumables for XT60 & XT60M



263 310 Shield Sense

ICE-12C

Service Parts/Consumables

Item #	Part #	Description	Quantity
	216 407	Torch (kit) (ICE-12C)	1
	195 172	Torch (ICE-12C)	1
1	196 928	Cup, shield (optional)	1
2	196 926	Tip, 12 A	1 (5 per pkg)
3	196 925	Electrode, 12 A	1 (5 per pkg)
4	196 927	Swirl Ring, 12 A	1
5	196 935	O-Ring, ICE-12C main body	1 (3 per pkg)
6	196 932	Main Body	1
7	196 930	Label, ICE-12C	2
8	183 427	Handle Assy, complete	1
9	196 931 ¹	Leads, 20 ft	1
10	185 833	Switch Assembly (includes)	1
11	190 220	Spring	1
12	171 248	Push Button Switch	1
13	197 567	Cup, retaining	1
14	196 929	Shield, drag	1
	252 951	Grease, silicon	1
	222 938 ²	Consumable Kit (ICE-12C)	1
	253 054	Stand-off Guide	1
	253 055	Circle Cutting Guide	1

¹If used with Spectrum Thunder, #216 277 fitting required.

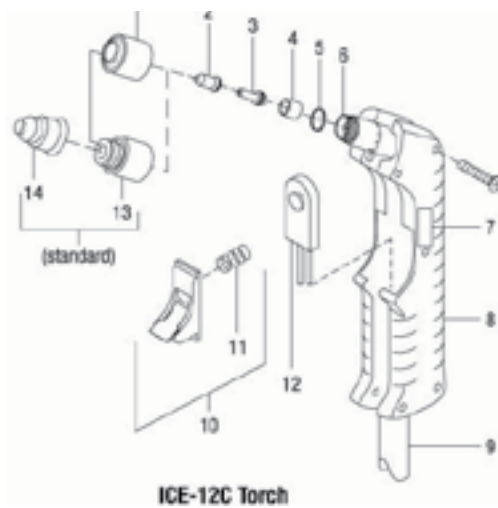
²ICE-12C Consumable Kit includes (1) drag shield #196 929 (1) plastic case #127 493, (1) shield cup #197 567, (4) tips #196 926, (4) electrodes #196 925, (1) o-ring #196 935, and (1) silicone grease #252 951.

For a listing of original torch applications and replacements: see pages 57–59

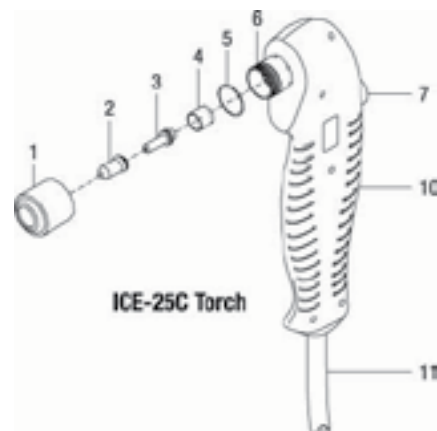
ICE-25C & 25CX/27C/27T

Item #	Part # ICE-25C	Part # ICE-25 CX/27C/27T	Description	Quantity
	—	195 007	Torch (ICE-25X)	
	—	195 014	Torch (ICE-27C)	
	—	225 615	Torch (ICE-27T)	
1	202 808	202 808	Cup, shield	1
2	176 656	176 656	Tip, 25/27 A	1 (5 per pkg)
3	176 655	176 655	Electrode, 25/27 A	1 (5 per pkg)
4	202 809	202 809	Swirl Ring, 25/27 A	1
5	169 232	169 232	O-Ring (main body)	1 (3 per pkg)
6	178 550	—	Main Body	1
7	—	203 119	Main Body (ICE-27C/27T only)	1
8	171 248	171 248	Push Button Switch	1
9	—	185 833	Switch Assembly (includes)	1
10	—	190 220	Spring	1
11	183 428	183 427	Handle Assy, complete	1
	—	228 405	Leads, 12 ft (ICE-27T)	1
	—	177 893	Leads, 15 ft	1
	—	177 894	Leads, 25 ft	1
	—	205 881 (N/A)	Leads, 20 ft (ICE-25 CX)	1
	—	203 120	Leads, 20 ft (ICE-27C)	1
	225 671	225 671	Tip, drag shield	1 (5 per pkg)
	225 672	225 672	Retaining Cup, drag shield	1
	225 616	225 616	Drag Shield	1
	252 951	252 951	Grease, silicon	1
	—	222 939 ³	Consumable Kit (ICE-27C/27T)	1
	253 054	253 054	Stand-off Guide	1
	253 055	253 055	Circle Cutting Guide	1

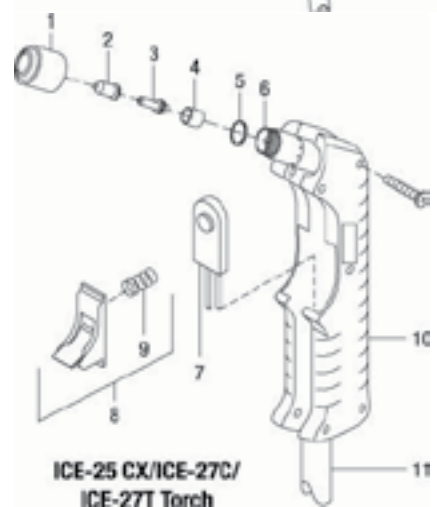
³ICE-27C Consumable Kit includes (1) plastic case #127 493, (1) shield cups #202 808, (5) tips #176 656, (5) electrodes #176 655, (1) swirl ring #202 809, (1) o-ring #169 232, and (1) silicone grease #252 951.



ICE-12C Torch



ICE-25C Torch



ICE-25 CX/ICE-27C/ICE-27T Torch

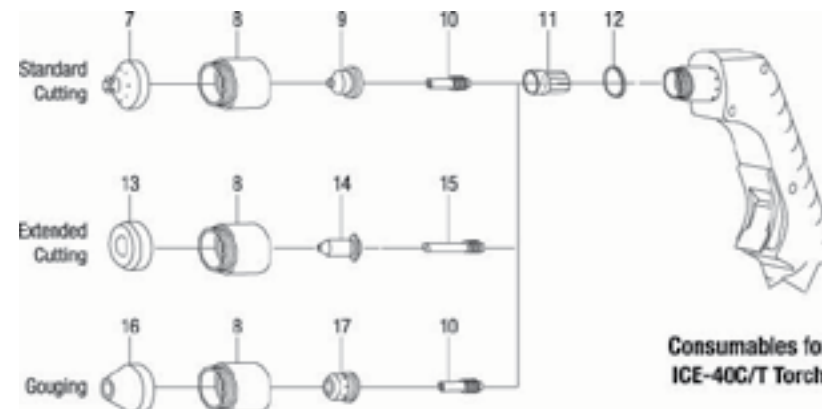
ICE-40C/T

Service Parts/Consumables

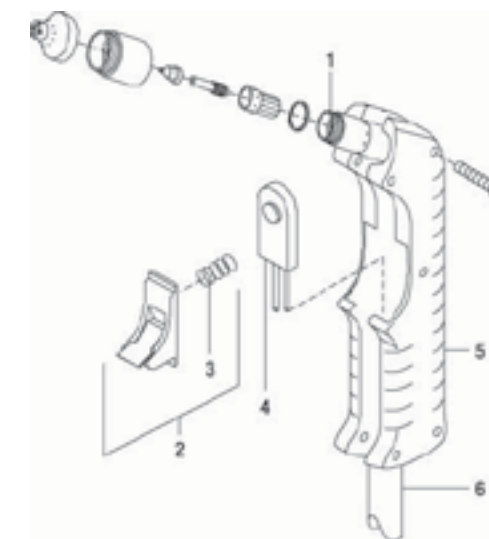
Item #	Part # ICE-40C	Part # ICE-40T	Description	Quantity
	195 110	—	Torch, 25 ft (ICE-40C)	1
	195 111	—	Torch, 50 ft (ICE-40C)	1
	—	237 502	Torch, 12 ft (ICE-40T)	1
	—	237 504	Torch, 20 ft (ICE-40T)	1
1	192 059	192 059	Main Body	1
2	185 833	185 833	Switch Assembly (includes)	1
3	190 220	190 220	Spring	1
4	171 248	171 248	Push Button Switch	1
5	183 427	183 427	Handle Assembly, complete	1
6	209 298	238 558	Leads, 25 ft	1
	209 299	238 559	Leads, 50 ft	1
	252 951	252 951	Grease, silicon	1
			Consumables	
7	204 323	204 323	Shield, drag	1
8	192 050	192 050	Cup, retaining	1
9	204 325	204 325	Tip, standard (40 A)	1 (5 per pkg)
10	192 047	192 047	Electrode, standard	1 (5 per pkg)
11	192 049	192 049	Swirl Ring	1
12	169 232	169 232	O-Ring	1 (3 per pkg)
13	177 888	177 888	Deflector	1
14	192 052	192 052	Tip, extended (40 A)	1 (5 per pkg)
15	192 048	192 048	Electrode, extended	1 (5 per pkg)
16	192 203	192 203	Shield, gouge	1
17	204 332	204 332	Tip, gouge	1 (5 per pkg)
	222 940 ¹	222 940 ¹	Consumable Kit (ICE-40C)	1
	253 054	253 054	Stand-off Guide	1
	253 055	253 055	Circle Cutting Guide	1

¹ICE-40C/T Consumable Kit includes (1) plastic case #127 493, (3) tips #204 325, (3) electrodes #192 047, (1) extended tip #192 052, (1) extended electrode #192 048, (1) gouge shield #192 203, (1) gouge tip #204 332, (1) o-ring #169 232, (1) silicone grease #252 951, (1) swirl ring #192 049 and (1) retaining cup #192 050.

For a listing of original torch applications and replacements: see pages 57–59



Consumables for ICE-40C/T Torch



ICE-40C/T Torch

ICE-50C & 50CM

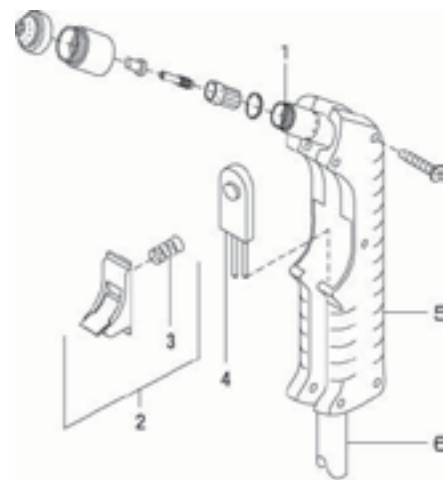
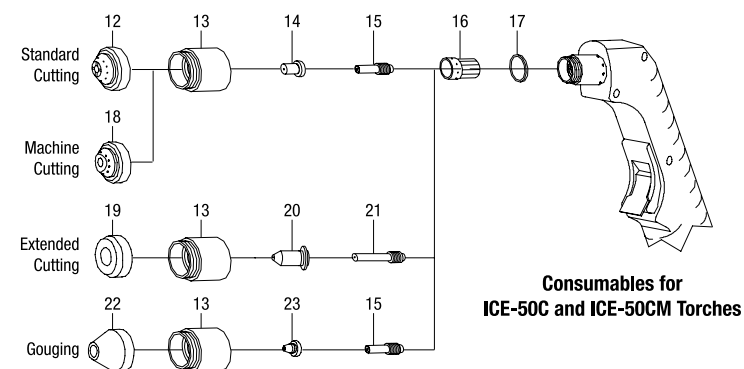
Service Parts/Consumables

Item #	Part #	Description	Quantity
	176 824	Torch, 25 ft (ICE-50C)	1
	176 826	Torch, 50 ft (ICE-50C)	1
	176 828	Torch, 50 ft (ICE-50CM)	1
ICE-50C Torch (Hand-Held)			
1	188 794	Main Body	1
2	185 833	Switch Assembly (includes)	1
3	190 220	Spring	1
4	171 248	Push Button Switch	1
5	183 427	Handle Assembly, complete	1
6	179 829	Leads, 25 ft	1
	179 830 (N/A)	Leads, 50 ft	1
	252 951	Grease, silicon	1
ICE-50CM Torch (Machine-Held)			
7	180 611 (N/A)	Torch Sleeve	1
8	180 605	Remote Pendent Control	1
9	180 342 (N/A)	Leads, 50 ft	1
10	180 610	Position Sleeve	1
11	188 795	Main Body	1
Consumables			
12	192 053	Shield, drag	1
13	192 050	Cup, retaining	1
14	177 890	Tip, standard	1 (5 per pkg)
	192 051 ¹	Tip, standard (ICE-55C)	1 (5 per pkg)
15	192 047	Electrode, standard	1 (5 per pkg)
16	177 886	Swirl Ring	1
	192 049 ¹	Swirl Ring (ICE-55C)	1
17	169 232	O-Ring	1 (3 per pkg)
18	192 058	Shield, machine	1
19	177 888	Deflector	1
20	177 876	Tip, extended	1 (5 per pkg)
	192 056 ¹	Tip, extended tapered 55 A (ICE-55C)	1 (5 per pkg)
	192 052 ¹	Tip, extended tapered 40 A (ICE-55C)	1 (5 per pkg)
	189 407	Tip, extended (flat)	1 (5 per pkg)
21	192 048	Electrode, extended	1 (5 per pkg)
22	192 203	Shield, gouge	1
23	177 878	Tip, gouge	1
	192 204 ¹	Tip, gouge (ICE-55C)	1 (5 per pkg)
24	226 763	Sense tab	1
	253 055	Circle Cutting Guide	1

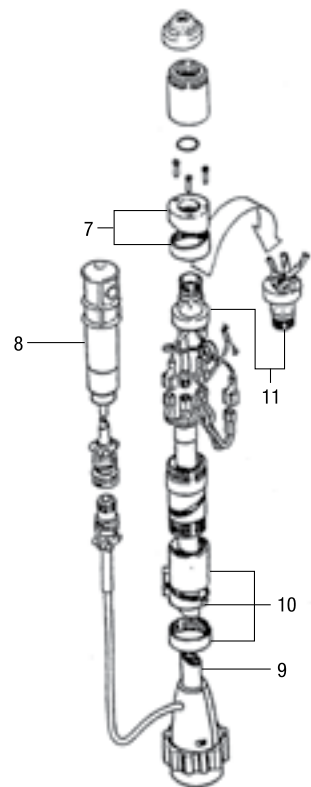
¹Spectrum 2050 Enhancement — For improved cutting performance and increased consumable life, Spectrum 2050 users are encouraged to update their existing ICE-50C Cutting Tips and Swirl Ring with the ICE-55C components. (The ICE-55C Tips must be used in conjunction with the ICE-55C Swirl Ring.)

For a listing of original torch applications and replacements:

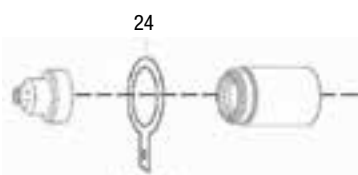
see pages 57–59



ICE-50C Torch



ICE-50CM Torch



226 763 Sense Tab

ICE-55C & 55CM

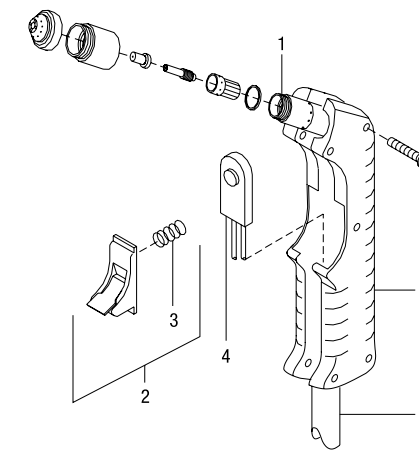
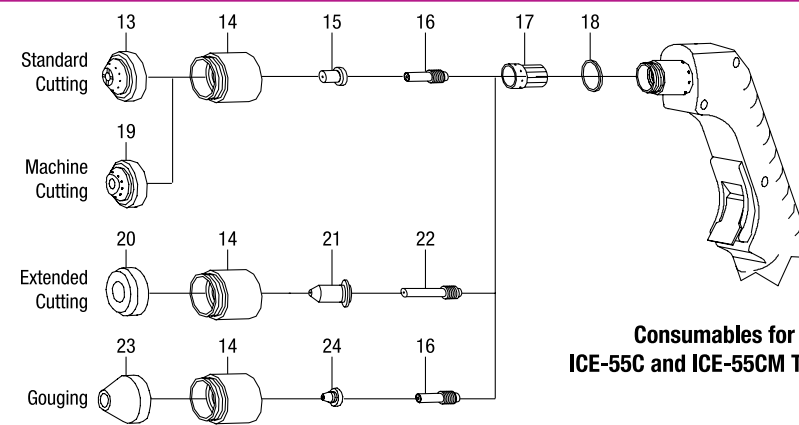
Service Parts/Consumables

Item #	Part #	Description	Quantity
	193 347	Torch, 25 ft (ICE-55C)	1
	193 348	Torch, 50 ft (ICE-55C)	1
	193 349	Torch, 50 ft (ICE-55CM)	1
ICE-55C Torch (Hand-Held)			
1	192 059	Main Body	1
	202 932	Plunger Repair Kit	1
2	185 833	Switch Assembly (includes)	1
3	190 220	Spring	1
4	171 248	Push Button Switch	1
5	183 427	Handle Assy, complete	1
6	192 062	Leads, 25 ft	1
	192 063	Leads, 50 ft	1
	252 951	Grease, silicon	1
ICE-55CM Torch (Machine-Held)			
7	198 644	Retaining Ring	1
8	198 643	Torch Sleeve	1
9	192 060	Main Body	1
10	180 610	Position Sleeve	1
11	192 061 (N/A)	Leads, 50 ft	1
12	180 605	Remote Pendent Control	1
Consumables			
13	192 053	Shield, drag	1
14	192 050	Cup, retaining	1
15	192 051	Tip, standard	1 (5 per pkg)
16	192 047	Electrode, standard	1 (5 per pkg)
17	192 049	Swirl Ring	1
18	169 232	O-Ring	1 (3 per pkg)
19	192 058	Shield, machine	1
20	177 888	Deflector	1
21	192 056	Tip, extended tapered (55 A)	1 (5 per pkg)
	192 052	Tip, extended tapered (40 A)	1 (5 per pkg)
22	192 048	Electrode, extended	1 (5 per pkg)
23	192 203	Shield, gouge	1
24	192 204	Tip, gouge	1 (5 per pkg)
25	226 763	Sense tab	1
	222 941 ¹	Consumable Kit (ICE-55C)	1
	253 055	Circle Cutting Guide	1

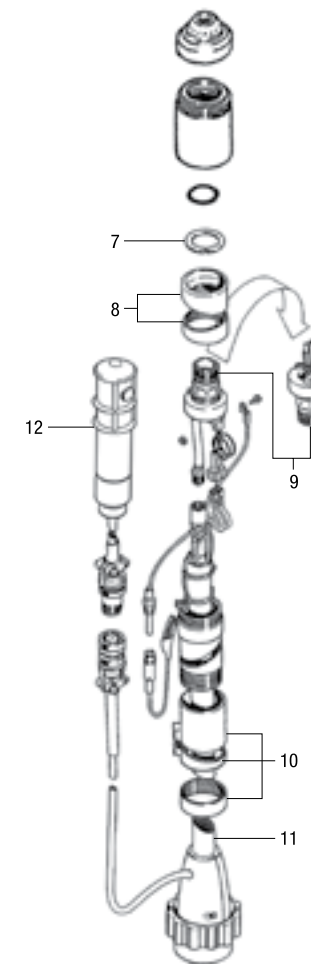
¹ICE-55C Consumable Kit includes (1) plastic case #127 493, (1) drag shield #192 053, (1) retaining cup #192 050, (4) tips #192 051, (4) electrodes #192 047, (2) extended tips #192 056, (2) extended electrodes #192 048, (1) gouge shield #192 203, (1) gouge tip #192 204, (3) o-rings #169 232, and (1) silicone grease #252 951.

For a listing of original torch applications and replacements:

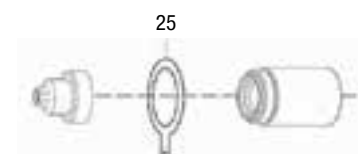
see pages 57–59



ICE-55C Torch



ICE-55CM Torch



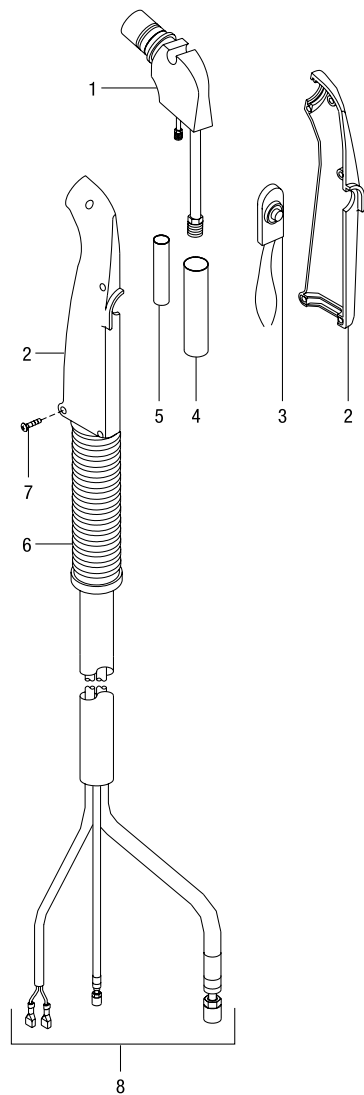
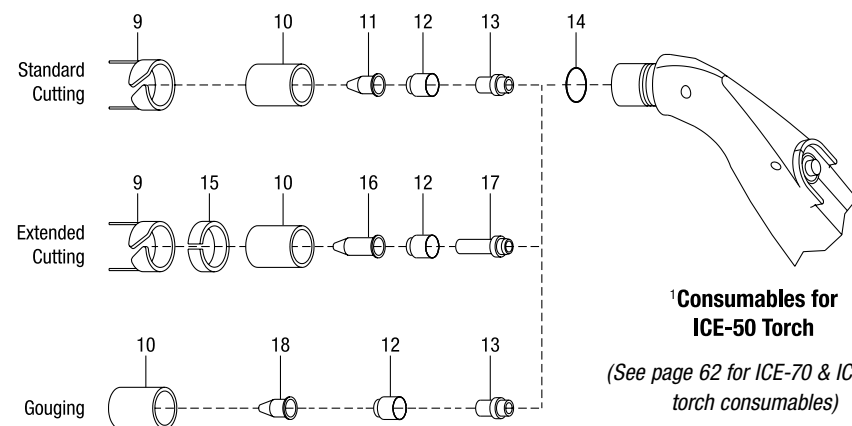
226 763 Sense Tab

ICE-50/70/100 Service Parts/Consumables

Item #	Part #	Description	Quantity	
			ICE-50 / ICE-70 & 100	
	176 824	Torch, 25 ft (ICE-50C)	1	1
	176 826	Torch, 50 ft (ICE-50C)	1	1
	169 207	Torch, 30 ft (ICE-100)	1	1
	169 246	Torch, 50 ft (ICE-100)	1	1
1	171 258	Torch, main body	1	—
	171 257	Torch, main body	—	1
2	171 246	Handle	1	1
3	171 248	Pushbutton, switch	1	1
	171 255	Splice, 22 – 18 butt N-insul connector	2	2
4	171 263	Lead Insulator, 5/8PVC 3.5 in long	1	—
	171 252	Teflon Tube	—	1
		11/16 ID x.030W x 3.5 in long		
5	171 260	Lead Insulator, 7/16PVC 3 in long	1	—
	171 251	Teflon Tube	—	1
		9/16 ID x.030W x 2.5 in long		
6	171 247	Boot	1	1
7	171 256	Handle Screw, No. 6 x 3/4ph	5	5
8	171 264	Leads, 30 ft	1	—
	171 253	Leads, 30 ft	—	1
	171 265 (N/A)	Leads, 50 ft	1	—
	171 254	Leads, 50 ft	—	1
		Consumables		
9	132 657 ¹	Standoff Guide	1 (2 per pkg)	
10	169 216 ¹	Retaining Cup	1	
11	174 034 ¹	Standard Tip	1 (5 per pkg)	
12	169 215 ¹	Swirl Ring	1	
13	169 212 ¹	Standard Electrode	1 (5 per pkg)	
14	169 232 ¹	O-Ring	1 (3 per pkg)	
15	174 035 ¹	Stop-Guide Sleeve	1	
16	169 214 ¹	Extended Tip	1 (5 per pkg)	
17	173 895 ¹	Extended Electrode	1 (5 per pkg)	
18	169 213 ¹	Gouge Tip	1 (5 per pkg)	
	253 054	Stand-off Guide	1	1
	253 055	Circle Cutting Guide	1	1

¹For ICE-50 only — see page 68 for ICE-70 and ICE-100 torch consumables.

For a listing of original torch applications and replacements: **see pages 57–59**

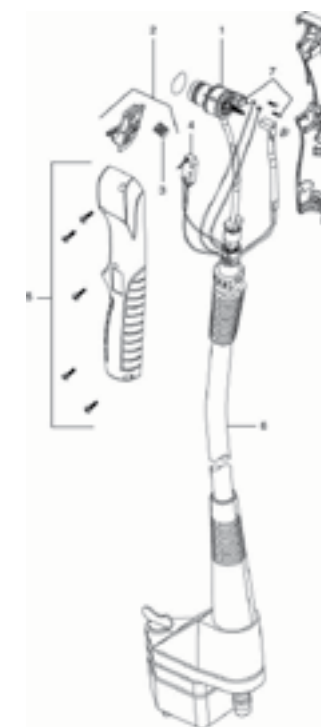
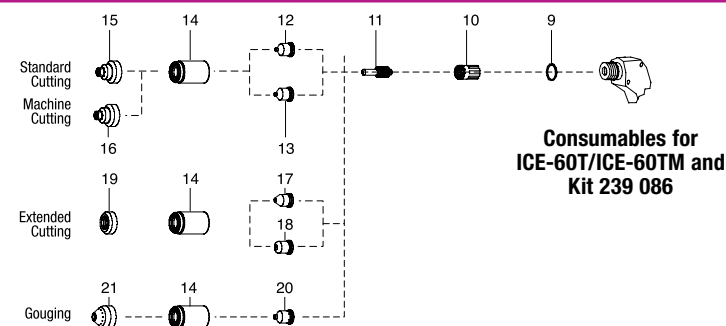


ICE-50 / ICE-70 & ICE-100 Torch

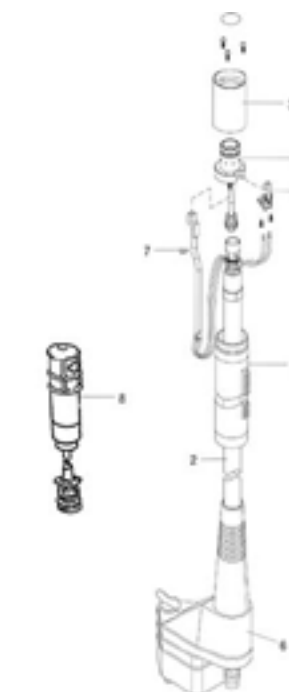
ICE-60T & 60TM Service Parts/Consumables

Item #	Part #	Description	Quantity	
			ICE-60T	ICE-60TM
	234 132	Torch, 25 ft (ICE-60T)	1	
	234 134	Torch, 50 ft (ICE-60T)	1	
	234 136	Torch, 25 ft (ICE-60TM)	1	
	234 138	Torch, 50 ft (ICE-60TM)	1	
	300 759	Torch with Pendant, 25 ft (ICE-60TM)	1	
	300 760	Torch with Pendant, 50 ft (ICE-60TM)	1	
		ICE-60T Torch		
1	215 477	Torch, main body	1	
2	185 833	Switch assembly (includes)	1	
3	190 220	Spring	1	
4	215 592	Push button switch	1	
5	215 594	Handle assembly	1	
6	234 170	Leads, 20 ft	1	
	234 171	Leads, 50 ft	1	
	252 951	Grease, silicon	1	
7	215 478	Switch Cup, Sensor	1	
		ICE-60TM Torch		
1	215 607	Sleeve, torch position	1	
2	234 172	Torch Lead, 25 ft (7.6 m)	1	
	234 173	Torch Lead, 50 ft (15.2 m)	1	
3	215 599	Torch sleeve	1	
4	215 598	Torch, main body	1	
5	215 478	Switch Cup, Sensor		
6	234 829	Kit, ICE-60T/TM QD w/wing head fastener	1	
7	215 606	Clip, retaining	1	
8	195 513	Remote pendant control	1	
	220 240	Cable, remote control trigger 25 ft (7.6 m)	1	
	220 241	Cable, remote voltage sense 26.5 ft (8 m)	1	
		Consumables		
9	212 735	O-ring	1 (5 per pkg)	
10	212 734	Swirl ring	1	
11	212 724	Electrode	1 (5 per pkg)	
12	219 676	Standard 60A tip	1 (5 per pkg)	
13	212 725	Standard 40A tip	1 (5 per pkg)	
14	212 733	Retaining cup	1	
15	212 730	Drag shield	1	
16	212 732	Shield	1	
17	219 682	Extended 60A tip	1 (5 per pkg)	
18	212 729	Extended 40A tip	1 (5 per pkg)	
19	212 736	Deflector	1	
20	219 680	Gouge tip	1 (5 per pkg)	
21	212 731	Gouge shield	1	
22	226 763	Sense tab	1	

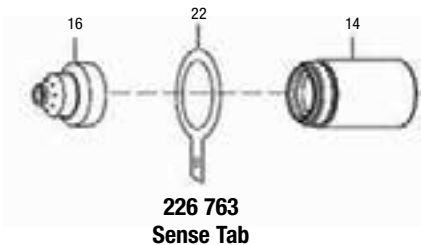
For a listing of original torch applications and replacements: **see pages 57–59**



ICE-60T Torch



ICE-60TM Torch

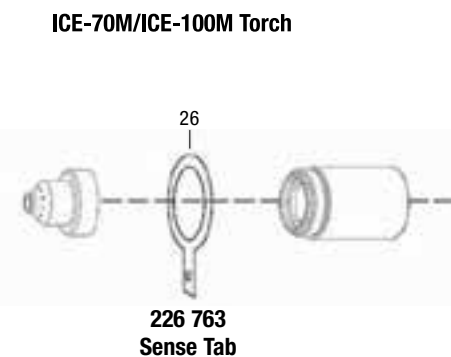
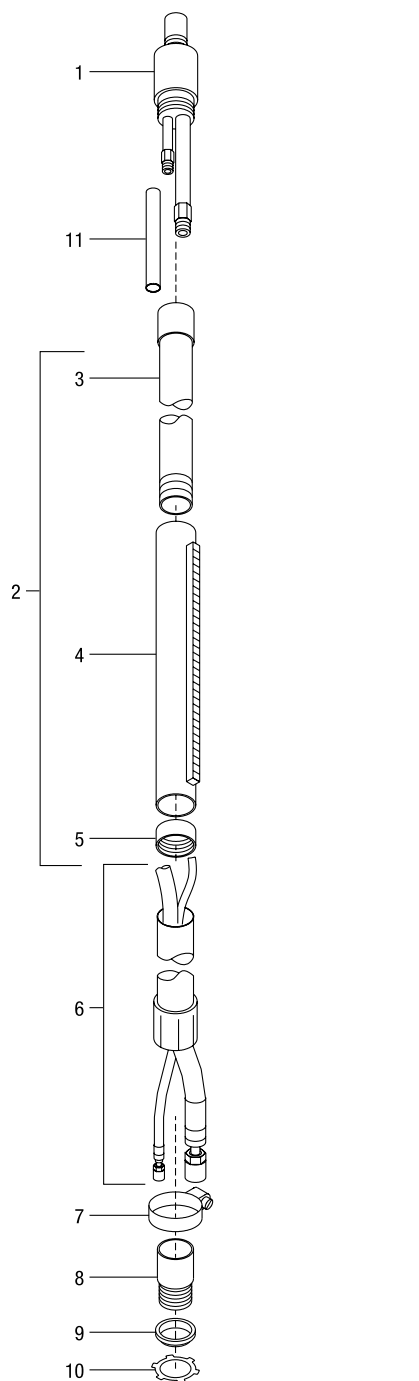
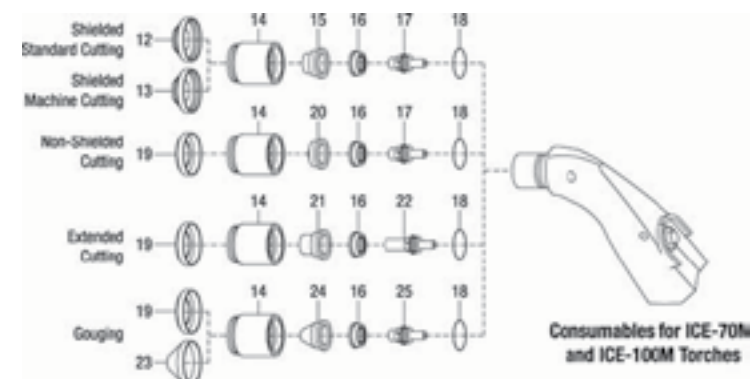


ICE-70M/100M Service Parts/Consumables

Item #	Part #	Description	Quantity
	169 203	Torch, 30 ft (ICE-70M)	1
	169 245	Torch, 50 ft (ICE-70M)	1
	169 207	Torch, 30 ft (ICE-100M)	1
	169 246	Torch, 50 ft (ICE-100M)	
1	171 245	Torch, main body	1
2	171 241 (N/A)	Torch Assembly, rack and sleeve (consists of)	1
3	185 999 (N/A)	Torch Position Sleeve	1
4	186 000 (N/A)	Gear Rack	1
5	186 001 (N/A)	Locking Ring	1
6	171 243 (N/A)	Leads, 30 ft (ICE-70M)	1
	171 242 (N/A)	Leads, 50 ft (ICE-100M)	1
7	010 860 (N/A)	Clamp, hose .750 - 1.750clp dia	1
8	170 993 (N/A)	Collar, brass	1
9	170 825 (N/A)	Washer, shldr 1.251 x 1.750 OD x .125thk	1
10	010 907	Nut, 1.000 - 11	1
11	171 244 (N/A)	Black PVC, 5/8 ID x 3.5 long	1
		Consumables	
12	169 224	Shield, drag	1
13	169 230	Machine Shield	1
14	169 223	Retaining Cup	1
	179 282¹	Cup, bevel	1
15	169 219	Tip (70 A)	1 (5 per pkg)
	169 226	Tip (100 A)	1 (5 per pkg)
16	169 222	Swirl Ring	1
17	169 217	Electrode	1 (5 per pkg)
18	169 233	O-Ring	1 (3 per pkg)
19	169 225	Deflector	1
20	181 227	Tip (50 A)	1
	169 220	Tip (70 A)	1 (5 per pkg)
	169 227	Tip (100 A)	1 (5 per pkg)
21	173 815	Tip (70 A)	1 (5 per pkg)
22	173 816	Electrode	1 (5 per pkg)
23	170 995	Gouge Shield (70 A)	1
24	169 221	Tip (70 A)	1 (5 per pkg)
	169 228	Tip (100 A)	1 (5 per pkg)
25	169 218	Electrode (70 A)	1 (5 per pkg)
	169 217	Electrode (100 A)	1 (5 per pkg)
26	226 763	Sense tab	1
	253 054	Stand-off Guide	1
	253 055	Circle Cutting Guide	1

¹Use of the #179 282 Bevel Cup will eliminate the need to use item #19 (#169 225 Deflector).

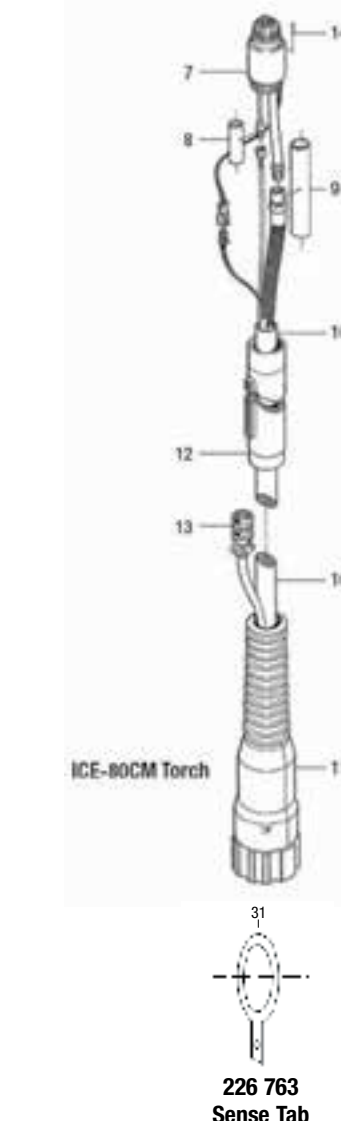
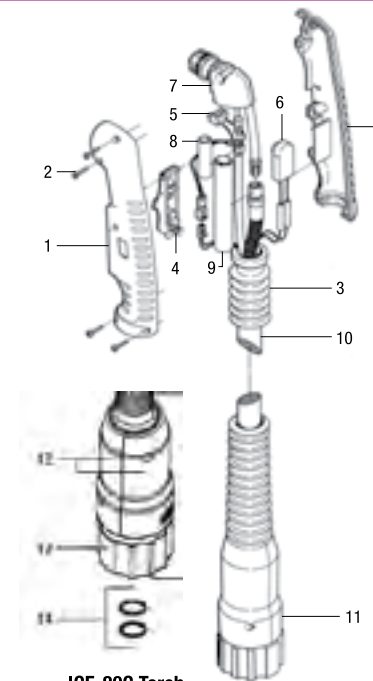
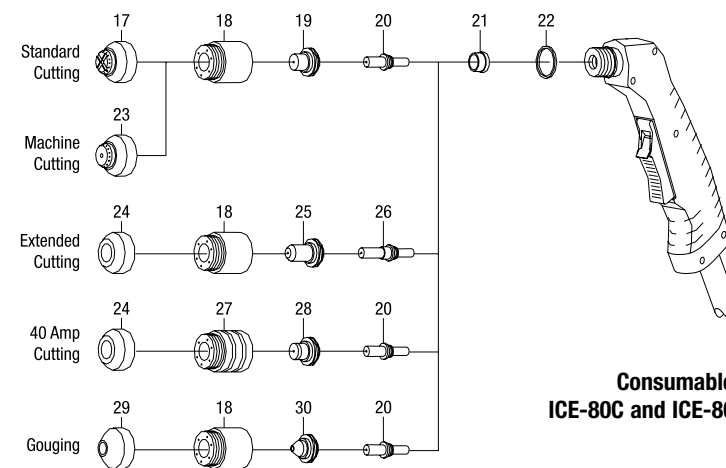
For a listing of original torch applications and replacements: **see pages 57-59**



ICE-80C & 80CM Service Parts/Consumables

Item #	Part # ICE-80C	Part # ICE-80CM	Description	Quantity
1	187 300	—	Handle	1
2	190 503	—	#6 x 5/8 Phillips Screw, pan head	4
3	190 502 (N/A)	—	Boot	1
4	196 423	—	Switch Assy (includes)	1
	190 504 (N/A)	—	Spring	1
5	187 301	—	Switch, Cup Sensor	1
6	196 682	—	Push Button Switch	1
7	187 298	187 299	Main Body	1
8	190 501	190 501	Heatshrink 1/2 in ID (2.5 in)	1
9	190 500 (N/A)	190 500 (N/A)	Tubing, 5/8 in ID (4 in)	1
10	196 415	—	Torch Lead, 25 ft (7.6 m)	1
	196 416	196 417 (N/A)	Torch Lead, 50 ft (15.2 m)	1
11	190 497	190 497	Plug Assy, quick disconnect	1
12	218 177	—	Both plastic halves and nut	1
13	—	—	Sleeve, torch position	1
14	187 305	—	O-ring, quick disconnect	1
15	—	190 498 (N/A)	Plug, 3-socket female	1
16	—	190 499	Contact, cap-on sensor	2
			Consumables	
17	177 899	177 899	Drag Shield	1
18	177 898	177 898	Retaining Cup	1
19	177 896	177 896	Standard Tip	1 (5 per pkg)
20	177 895	177 895	Standard Electrode	1 (5 per pkg)
21	177 897	177 897	Swirl Ring	1
22	177 902	177 902	O-Ring, silicon .864 x .070	1 (5 per pkg)
23	187 292	187 292	Machine Shield	1
24	177 900	177 900	Deflector	1
25	187 289	187 289	Extended Tip	1 (5 per pkg)
26	187 288	187 288	Extended Electrode	1 (5 per pkg)
27	187 291	187 291	40 Amp Retaining Cup	1
28	187 290	187 290	40 Amp Tip	1 (5 per pkg)
29	187 293	187 293	Gouge Shield	1
30	177 901	177 901	Gouge Tip	1 (5 per pkg)
31	226 763	226 763	Sense tab	1
	253 054	253 054	Stand-off Guide	1
	253 055	253 055	Circle Cutting Guide	1

For a listing of original torch applications and replacements: **see pages 57-59**



ICE-80CX/80T Service Parts/Consumables

Item #	Part # ICE-80CX	Part # ICE-80T	Description	Quantity
	216 300	195 223	Torch, 25 ft	1
	218 044	195 225	Torch, 50 ft	1
1	215 594	215 594	Handle with screws	1
2	215 478	215 478	Cup Sensor Switch Kit	1
3	215 477	215 477	Main Body	1
4	215 479	215 479	Torch Head Repair Kit	1
5	212 735	212 735	O-Ring, main body	1 (5 per pkg)
6	185 833	185 833	Switch Assembly (includes)	1
7	190 220	190 220	Trigger spring	1
8	215 592	215 592	Switch trigger	1
9	215 606	215 606	Clip, retaining	1
10	216 309	223 543 ¹	Torch Lead, 25 ft (7.6 m)	1
	218 045 (N/A)	223 544 ¹	Torch Lead, 50 ft (15.2 m)	1
11	—	227 546	Fastener Stud	1
12	218 177	—	Plug Assy, quick disconnect	1
13	190 497	—	Both Plastic Halves and Nut	1
14	187 305	—	O-Ring, quick disconnect	2
Consumables				
15	212 730	212 730	Drag Shield	1
16	212 733	212 733	Retaining Cup	1
17	212 725	212 725	40 Amp Standard Tip	1 (5 per pkg)
18	212 726	212 726	80 Amp Standard Tip	1 (5 per pkg)
19	212 724	212 724	Electrode	1 (5 per pkg)
20	212 734	212 734	Swirl Ring	1
21	212 735	212 735	O-Ring	1 (5 per pkg)
22	212 736	212 736	Deflector	1
23	212 729	212 729	40 Amp Extended Tip	1 (5 per pkg)
24	212 728	212 728	80 Amp Extended Tip	1 (5 per pkg)
25	212 731	212 731	80 Amp Gouge Shield	1
26	212 727	212 727	80 Amp Gouge Tip	1 (5 per pkg)
	222 942 ²	222 942 ²	Consumable Kit (ICE-80T)	1
	253 054	253 054	Stand-off Guide	1
	253 055	253 055	Circle Cutting Guide	1

¹Item #10 for ICE-80T is a combination unit that includes both torch lead and overmolded quick disconnect plug assembly.

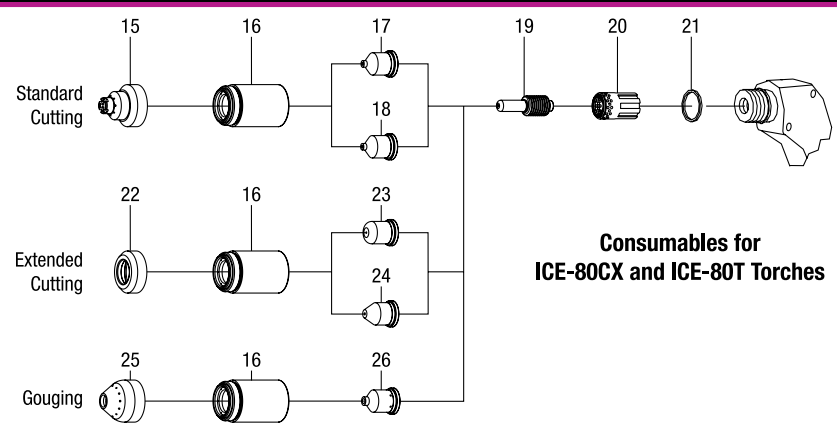
²ICE-80T Consumable Kit includes (1) plastic case #127 493, (1) drag shield #212 730,

(1) retaining cup #212 733, (3) tips #212 726, (6) electrodes #212 724,

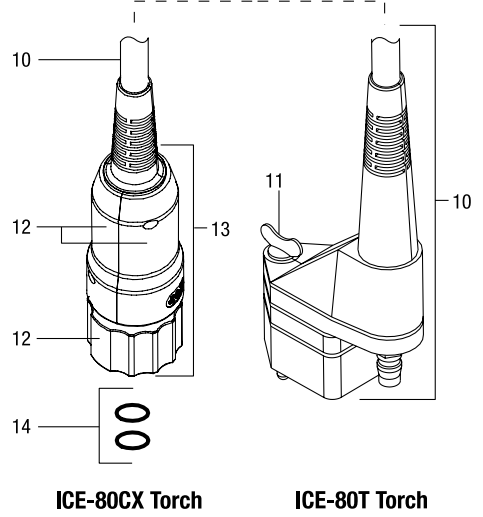
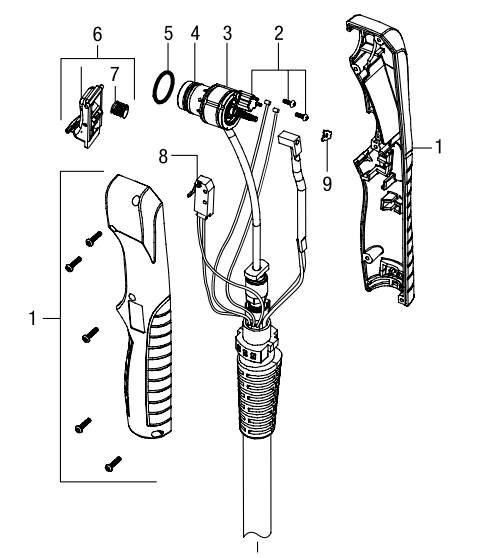
(2) extended tips #212 728, (1) gouge shield #212 731, (1) gouge tip #212 727,

(3) o-rings #212 735, and (1) silicon grease #252 951.

For a listing of original torch applications and replacements: **see pages 57–59**



Consumables for ICE-80CX and ICE-80T Torches



ICE-80CX Torch ICE-80T Torch

ICE-80CXM/80TM Service Parts/Consumables

Item #	Part # ICE-80CXM	Part # ICE-80TM	Description	Quantity
	—	195 221	ICE-80TM Machine Torch, 25 ft	1
	219 944	—	ICE-80CXM Machine Torch, 50 ft	1
	—	223 535	ICE-80TM Machine Torch, 50 ft	1
1	215 599	215 599	Torch Sleeve	1
2	215 598	215 598	Torch, main body	1
3	215 607	215 607	Sleeve, torch position	1
4	216 309	223 545 ¹ (N/A)	Torch Lead, 25 ft (7.6 m)	1
	218 045 (N/A)	219 964 ¹	Torch lead, ICE-80TM, 50 ft	1
5	—	227 546	Fastener Stud	1
6	218 177	—	Both Plastic Halves and Nut	1
7	187 305	—	O-Ring, quick disconnect	1
8	180 605	195 513	Remote Pendant Control	1
	—	220 240	Cable, remote control trigger 25 ft (7.6 m)	1
	—	220 241	Cable, remote voltage sense 26.5 ft (8 m)	1
9	215 478	215 478	Cup Sensor Switch Kit	1
Consumables				
10	212 732	212 732	Machine Shield	1
11	212 733	212 733	Retaining Cup	1
12	212 725	212 725	40 Amp Standard Tip	1 (5 per pkg)
13	212 726	212 726	80 Amp Standard Tip	1 (5 per pkg)
14	212 724	212 724	Electrode	1 (5 per pkg)
15	212 734	212 734	Swirl Ring	1
16	212 735	212 735	O-Ring	1 (5 per pkg)
17	212 736	212 736	Deflector	1
18	212 729	212 729	40 Amp Extended Tip	1 (5 per pkg)
19	212 728	212 728	80 Amp Extended Tip	1 (5 per pkg)
20	212 731	212 731	80 Amp Gouge Shield	1
21	212 727	212 727	80 Amp Gouge Tip	1 (5 per pkg)
22	226 763	226 763	Sense tab	1
	222 942 ²	222 942 ²	Consumable Kit (ICE-80T)	1
	253 054	253 054	Stand-off Guide	1
	253 055	253 055	Circle Cutting Guide	1

¹Item #4 for ICE-80TM is a combination unit that includes both torch lead and overmolded quick disconnect plug assembly.

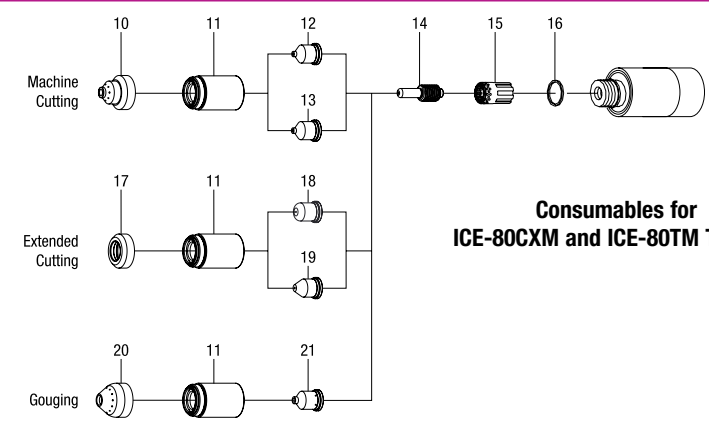
²ICE-80T Consumable Kit includes (1) plastic case #127 493, (1) drag shield #212 730,

(1) retaining cup #212 733, (3) tips #212 726, (6) electrodes #212 724,

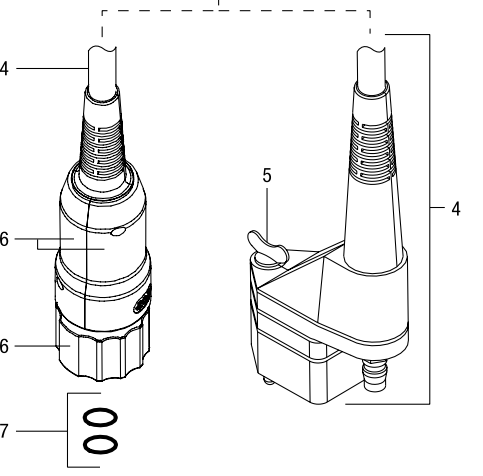
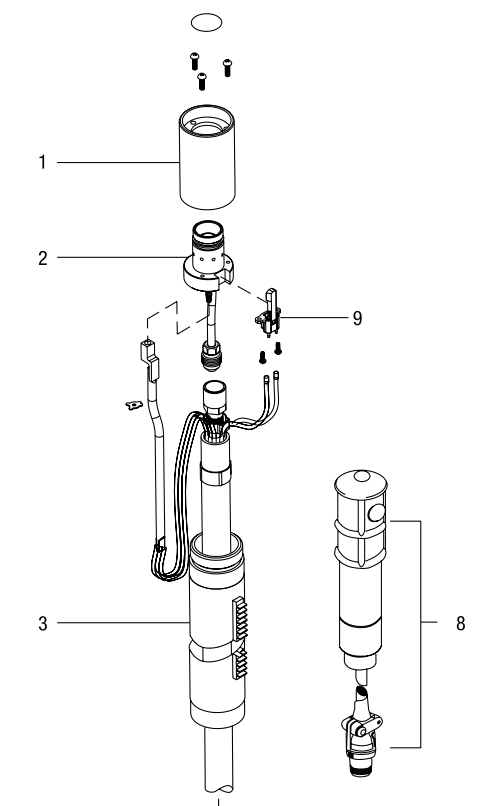
(2) extended tips #212 728, (1) gouge shield #212 731, (1) gouge tip #212 727,

(3) o-rings #212 735, and (1) silicon grease #252 951.

For a listing of original torch applications and replacements: **see pages 57–59**



Consumables for ICE-80CXM and ICE-80TM Torches



ICE-80CXM Torch ICE-80TM Torch



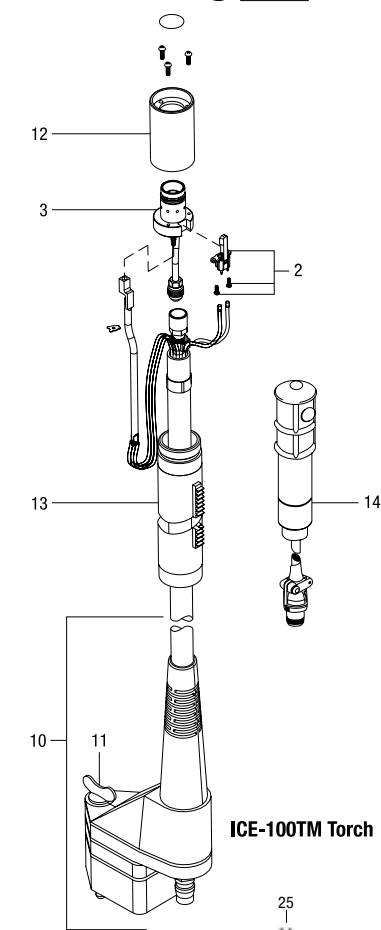
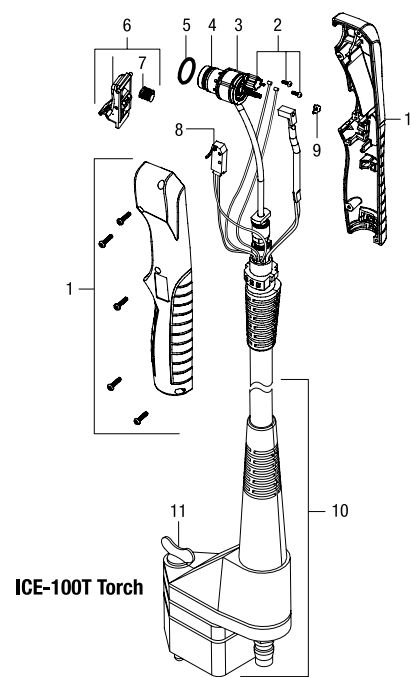
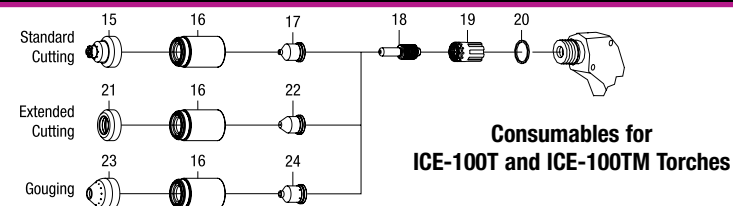
226 763 Sense Tab

ICE-100T & 100TM Service Parts/Consumables

Item #	Part # ICE-100T	Part # ICE-100TM	Description	Quantity
	225 702	225 706	Torch, 25 ft	1
	225 704	225 708	Torch, 50 ft	1
1	215 594	—	Handle with screws	1
2	215 478	215 478	Cup Sensor Switch Kit	1
3	223 774	223 773	Main Body with switch	1
4	223 775	223 775	Torch Head Repair Kit	1
5	212 735	—	O-Ring, main body	1 (5 per pkg)
6	185 833	—	Switch Assembly (includes)	1
7	190 220	—	Trigger Spring	1
8	215 592	—	Switch Trigger	1
9	215 606	—	Clip, retaining	1
10	223 612 ¹	223 614 ¹ (N/A)	Torch Lead, 25 ft (7.6 m)	1
	223 613 ¹	223 615 ¹	Torch Lead, 50 ft (15.2 m)	1
11	227 546	227 546	Fastener Stud	1
12	—	215 599	Torch Sleeve, ICE-80TM	1
13	—	215 607	Sleeve, torch position	1
14	—	195 513	Remote Pendant Control	1
	—	220 240	Cable, remote control trigger 25 ft	1
	—	220 241	Cable, remote voltage sense 26.5 ft	1
Consumables				
15	212 730/219 685 ²	212 732/219 687 ²	Drag/Machine Shield	1
16	212 733/219 684 ²	212 733/219 684 ²	Retaining Cup	1
17	212 725	212 725	40 Amp Standard Tip	1 (5 per pkg)
	219 676	219 676	60 Amp Standard Tip	1 (5 per pkg)
	212 726	212 726	80 Amp Standard Tip	1 (5 per pkg)
	219 679	219 679	100 Amp Standard Tip	1 (5 per pkg)
18	212 724/219 678 ²	212 724/219 678 ²	Electrode	1 (5 per pkg)
19	212 734/219 677 ²	212 734/219 677 ²	Swirl Ring	1
20	212 735	212 735	O-Ring	1 (5 per pkg)
21	212 736	212 736	Deflector	1
22	212 729	212 729	40 Amp Extended Tip	1 (5 per pkg)
	219 682	219 682	60 Amp Extended Tip	1 (5 per pkg)
	212 728	212 728	80 Amp Extended Tip	1 (5 per pkg)
	219 683	219 683	100 Amp Extended Tip	1 (5 per pkg)
23	212 731	212 731	Gouge Shield	1
24	219 680	219 680	60 Amp Gouge Tip	1 (5 per pkg)
25	—	226 763	Sense tab	1
	212 727	212 727	80 Amp Gouge Tip	1 (5 per pkg)
	219 681	219 681	100 Amp Gouge Tip	1 (5 per pkg)
	227 037 ³	227 037 ³	Consumable Kit (ICE-100T)	1
	253 054	—	Stand-off Guide	1
	253 055	—	Circle Cutting Guide	1

¹Item #10 includes both torch lead and overmolded quick disconnect plug assembly.
²First number is for 40/60/80 Amp components and second number is for 100 Amp components.
³ICE-100T Consumable Kit includes (1) plastic case #127 493, (1) 100 A drag shield #219 685, (1) 100 A retaining cup #219 684, (3) 100 A tips #219 679, (6) 100 A electrodes #219 678, (2) 100 A extended tips #219 683, (1) gouge shield #212 731, (1) 100 A gouge tip #219 681, (3) o-rings #212 735, and (1) silicon grease #252 951.

For a listing of original torch applications and replacements: **see pages 57–59**

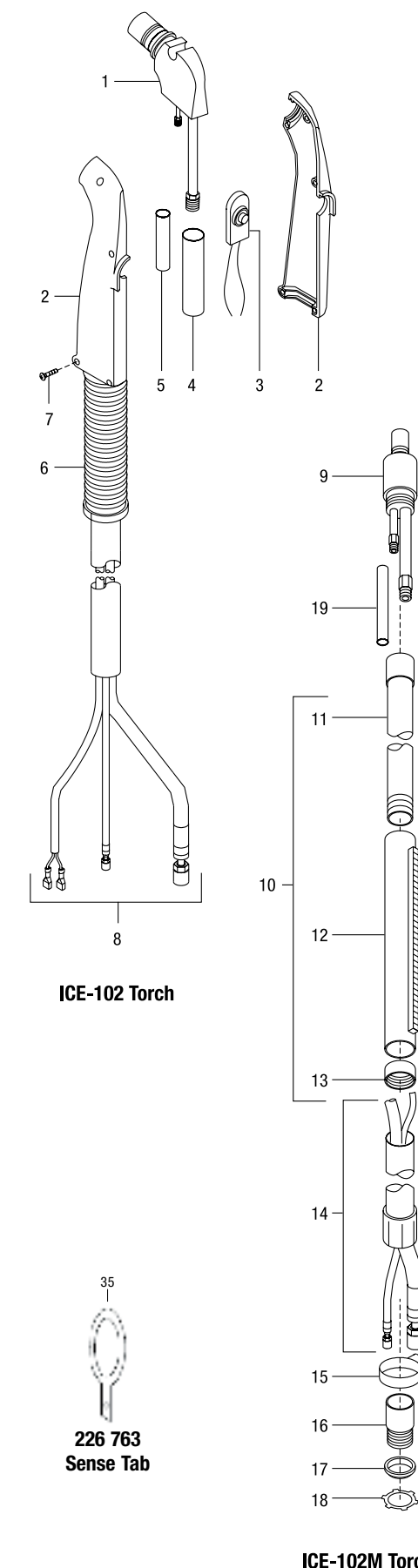
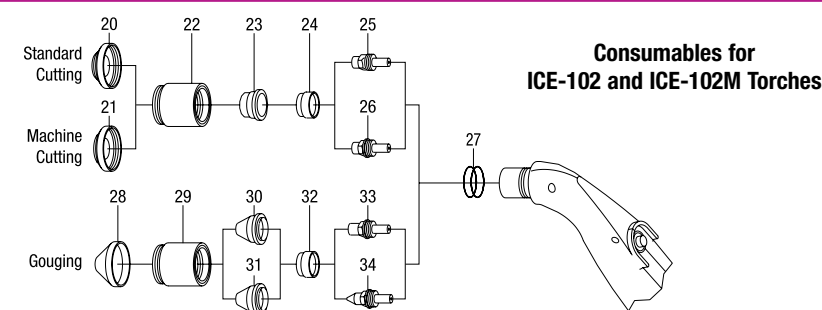


226 763 Sense Tab

ICE-102 & 102M Service Parts/Consumables

Item #	Part #	Description	Quantity
ICE-102 Torch (Hand-Held)			
	180 333 (N/A)	Torch, 50 ft	1
1	183 448 (N/A)	Torch, main body	1
2	171 246	Handle	1
3	171 248	Pushbutton, switch	1
	171 255	Splice, 22 - 18 butt N-insul connector	2
4	171 263	Lead Insulator, 5/8PVC 3.5 in long	1
	171 252	Teflon Tube, 11/16 ID x .030W x 3.5 in long	1
5	171 260	Lead Insulator, 7/16PVC 3 in long	1
	171 251	Teflon Tube, 9/16 ID x .030W x 2.5 in long	1
6	171 247	Boot	1
7	171 256	Handle Screw, No. 6 x 3/4ph	5
8	183 450 (N/A)	Leads, 50 ft	1
ICE-102M Torch (Machine-Held)			
		Torch, 50 ft	
9	183 449 (N/A)	Torch, main body	1
10	171 241 (N/A)	Torch Assembly, rack and sleeve (consists of)	1
11	185 999 (N/A)	Torch Position Sleeve	1
12	186 000 (N/A)	Gear Rack	1
13	186 001 (N/A)	Locking Ring	1
14	183 452 (N/A)	Leads, 50 ft	1
15	010 860 (N/A)	Clamp, hose .750 — 1.750clp dia	1
16	170 993 (N/A)	Collar, brass	1
17	170 825 (N/A)	Washer, shldr 1.251 ID x 1.750 OD x .125thk1	1
18	010 907	Nut, 1.000 — 11	1
19	171 244 (N/A)	Black PVC, 5/8 ID x 3.5 long	1
Consumables			
20	169 224	Drag Shield	1
21	169 230	Machine Shield	1
22	180 412	Retaining Cup	1
23	180 408	Shielded Tip	1 (10 per pkg)
24	180 404	Swirl Ring	1
25	169 217	Air Electrode	1 (5 per pkg)
26	180 406 (N/A)	Multiple Gas Electrode	1 (5 per pkg)
27	169 233	O-Ring	1 (3 per pkg)
28	170 995	Gouge Shield	1
29	183 447 (N/A)	Retaining Cup	1
30	180 411 (N/A)	Air Gouge Tip	1
31	180 410 (N/A)	Multiple Gas Gouge Tip	1
32	180 405 (N/A)	Swirl Ring	1
33	169 218	Air Gouge Electrode	1 (5 per pkg)
34	180 407 (N/A)	Multiple Gas Gouge Electrode	1
35	226 763	Sense tab	1
	253 054	Stand-off Guide	1
	253 055	Circle Cutting Guide	1

For a listing of original torch applications and replacements: **see pages 57–59**



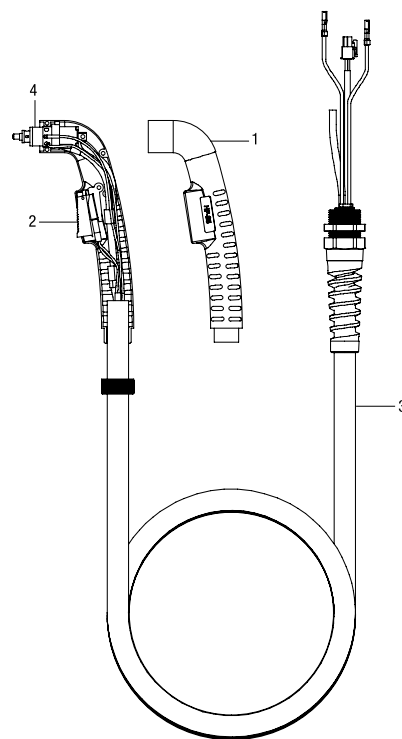
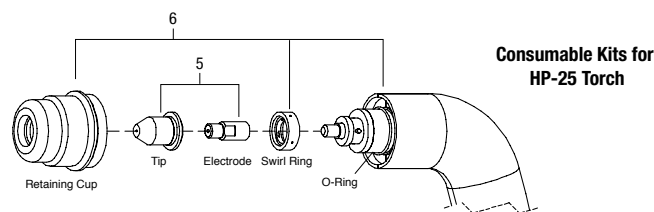
226 763 Sense Tab

HP-25 Service Parts/Consumables

Item #	Part #	Description	Quantity
1	230 429	Handle Assy, left and right w/screws	1
2	232 081	Trigger Switch	1
3	230 432	Leads, 16 ft	1
4	230 430	Torch Head	1
5	770 496 ¹	Consumable kit, tip/electrode	2 each/kit
5	770 723	Consumable kit, tip/electrode	5 each/kit
6	770 497 ¹	Consumable kit, cup/swirl ring/o-ring	1
	233 321	Stand-off Guide	1
	233 046	Wrench	1
	245 993	Kit, Detect Leads	1

¹Parts not sold individually.
No circle cutting guide for the HP-25, HP-50, and HP-70 torches.

For a listing of original torch applications and replacements: **see pages 57-59**

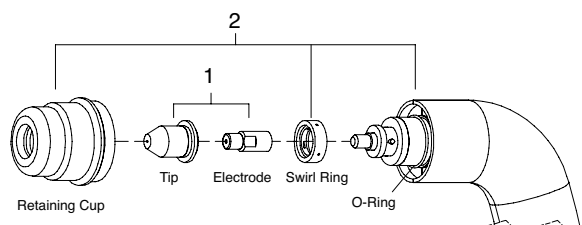


HP-50 Service Parts/Consumables

Item #	Part #	Description	Quantity
1	770 496 ¹	Consumable kit, tip/electrode	2 each/kit
1	770 723	Consumable kit, tip/electrode	5 each/kit
2	770 653 ¹	Consumable kit, cup/swirl ring/O-ring	1
3	233 321	Stand-off guide, HP-25/50/70 plasma torch	1
	245 993	Kit, Detect Leads	1

¹Parts not sold individually.
No circle cutting guide for the HP-25, HP-50, and HP-70 torches.

For a listing of original torch applications and replacements: **see pages 57-59**

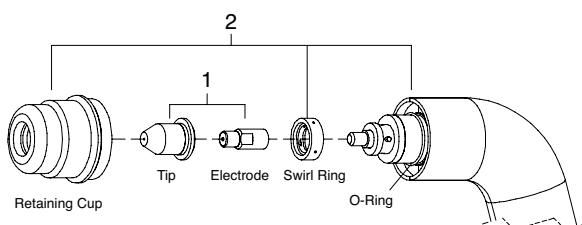


HP-70 Service Parts/Consumables

Item #	Part #	Description	Quantity
1	770 654 ¹	Consumable kit, tip/electrode	2 each/kit
1	770 724	Consumable kit, tip/electrode	5 each/kit
2	770 655 ¹	Consumable kit, cup/swirl ring/O-ring	1
3	233 321	Stand-off guide, HP-25/50/70 plasma torch	1
	245 993	Kit, Detect Leads	1

¹Parts not sold individually.
No circle cutting guide for the HP-25, HP-50, and HP-70 torches.

For a listing of original torch applications and replacements: **see pages 57-59**



Hose Fittings

Little Torch™ Hose Nuts

Stock No.	Type	Nut Thread & Number	Hose ID Size
R2	Oxygen	9/16 in-18 RH	1/8 in (3 mm)
R3	Fuel Gas	9/16 in-18 LH	1/8 in (3 mm)

Little Torch™ Hose Tailpiece

Stock No.	Type	Style	Hose ID Size
1882	Oxygen/Fuel	Barbed	1/8 in (3 mm)

NOTE: For Oxy and Fuel Connections.

Little Torch™ & Quickbraze™ Hose Ferrule

Stock No.	Inside Diameter	Length	Hose Type
7582	3/16 in/ 5 mm	9/32 in/ 7 mm	Oxygen/Fuel

NOTE: 7799 - Crimping tool to crimp ferrule on Little Torch™ hose.

Hose Adaptors

Stock No.	Type	Male Thread	Female Thread
14389 (B to A)	Oxygen	3/8 in-24 RH	9/16 in-18 RH
14390 (B to A)	Fuel Gas	3/8 in-24 RH	9/16 in-18 RH

NOTE: "B" Regulators fitting to "A" hose fitting.

Torch Hose Connections

Stock No.	Type	Nut Thread & Number	Style
3060-1	Oxygen	9/16 in-18 RH	Nickel Plated
3060-2	Fuel Gas	9/16 in-18 LH	Nickel Plated

Use With: All heavy duty torch handles and hand torches.

R3



1882



Ferrule 7582



Crimping Tool 7799



14389



3060-2



3060-1



Pressure Gauges & Filter

#GA136-03 2-inch Diameter Pressure Gauge (50 CFH/25 LPM)
#GA139-03 2-inch Diameter Pressure Gauge (4000 PSI/280 BAR)

■ Highly accurate read-out ■ UL listed ■ Shatter-proof polycarbonate crystal

15001-30 Gas Filter, Shielding (In-Line)

This in-line shielding gas filter is now standard on every Miller wire feeder with a gas solenoid. It traps contaminants before they plug up solenoid valves which result in costly downtime cleaning.

15775-10 Sintered Filter (10 Pack)

Sintered filter to prevent debris from entering torch. Installs inside Smith "B" torch inlet connections.

NOTE: Not for use with Gas Axe torches.



GA136-03
1/4 NPT



GA139-03
1/4 NPT



15001-30



15775-10



Single Hoses for Acetylene

Important Note: The Grade "R" hose is for use with acetylene only as specified by the RMA-CGA Hose Standard. "T" Grade hose must be used with all other gases.

Single "R" Grade hoses for Acetylene Only - Red Hose

Stock No.	Length	Diameter	Weight (lbs & kg)	Connections	Use with Torch Series	I.D. Size
RL121	12-1/2 ft (3.8 m)	3/16 in (5 mm)	1-1/4 (.55 kg)	9/16 in-18 LH ("B")	NE180 Handi-Heat	3/16 in (5 mm)



RL121

Single Hose - Inert Gas - Black Hose

Stock No.	Use For	Length	Diameter	Connections
7294-1	Inert Gas	6 ft (1.8 m)	1/4 in (6 mm)	5/8 in-18 RH Male



7294-1

Single Hose - Nitrogen

Heavy Duty Charging Hose for use with Nitrogen for HVAC Purging Applications.

Stock No.	Length	Connections		Use with Regulators	I.D. Size
		To Regulator	To A/C Unit		
RL260	6 ft (1.8 m)	7/16 in-20 RH Internal	7/16 in-20 RH w/core	30-450-580 depress to open Schraeder Valve	1/4 in (6 mm)



RL260

Little Torch™ Replacement Hoses

Stock No.	Length	Hose Type
13254-1-8	8 ft	Oxygen
13254-3-8	8 ft	Any Fuel
13254-4-8	8 ft	Oxygen/Fuel

Note: "B" - 9/16" Hose Fittings. Replacement hoses include installation tool 7799 and Ferrule 7582.

QuickBraz™ Replacement Hoses

Stock No.	Length	Hose Type
14777-4-10	10 ft	"A" - 3/8 in
14778-4-10	10 ft	"B" - 9/16 in

Note: Replacement hoses include installation tool 7799 and Ferrule 7582.

13254-1-8, 13254-3-8, 13254-4-8



14777-4-10, 14778-4-10



14779-4-10



Twin Hoses for Acetylene & Oxygen

Important Note: Grade "R" welding hose is for use with acetylene only as specified by the RMA-CGA Hose Standard. "T" Grade hose must be used with all other gases.

WARNING: Do not exceed the maximum working pressures (regulator setting) listed for the hoses during welding and cutting operations.

Oxygen	150 PSIG Maximum
Acetylene	15 PSIG Maximum
Propane, Propylene & all other Fuel Gases	40 PSIG Maximum

Two-In-One "R" Grade Hose for Acetylene Only

Stock No.	Length	Diameter	Weight (lbs & kg)	Connections		Use with Torch Series	I.D. Size
				To Regulator	To Torches		
RL1131	25 ft (7.6 m)	1/4 in (6 mm)	6-1/2 (2.9 kg)	R11 (Oxygen) R12 (Fuel) 9/16 in-18 ("B")	R11 (Oxygen) R12 (Fuel) 9/16 in-18 ("B")	DG, SC, SW, CW, MW	1/4 in (6 mm)
RL921	12-1/2 ft (3.8 m)	3/16 in (5mm)	2-3/4 (1.2 kg)	R13D (Oxygen) R14D (Fuel)	R13D (Oxygen) R14D (Fuel)	DG, MW, CW, SC	3/16 in (5 mm)
RL935	20 ft (6.1 m)	3/16 in (5mm)	4 (1.8 kg)	9/16 in-18 ("B")	9/16 in-18 ("B")		
RA921	12-1/2 ft (3.8 m)	3/16 in (5 mm)	2-1/2 (1.1 kg)	R13D (Oxygen) R14D (Fuel) 9/16 in-18 ("B")	R13 (Oxygen) R14 (Fuel) 3/8 in-24 ("A")	AW1	

RL1131, RL921, RL935, RA921



Two-In-One "T" Grade Hose use with fuel gases (LP or Acetylene Gas)

Stock No.	Length	Diameter	Weight (lbs & kg)	Connections		Use with Torch Series	I.D. Size
				To Regulator	To Torches		
TRL1131	20 ft (6.1 m)	1/4 in (6 mm)	6-1/2 (2.9 kg)	R11 (Oxygen) R12 (Fuel) 9/16 in-18 ("B")	R11 (Oxygen) R12 (Fuel) 9/16 in-18 ("B")	DG, SC, SW, CW, MW, AW10	1/4 in (6 mm)

TRL1131



Kevlar® Brazing Hose

#14779-4-10 "A" & "B" Fitting Twin Hose 3/8 in and 9/16 in female connections.

Kevlar® Hose Features & Benefits

Extremely durable, heat resistant, light weight and flexible. Excellent for repetitious brazing operations. (Not recommended for use with cutting attachments.)

NOTE: For AW1A Handle only.



Repair Parts

"O" Ring Replacements

Stock No.	Use with Welding/Heating Tips/Cutting Assemblies
AW15	AW Series Welding Tips / AT Series Heating Tips / AC309 Cutting Assembly / NE180 Series Air-Acetylene Tips
MW15	MW Series Welding Tips / MT Series Heating Tips / DG109A, MC509, MC505 & CC509P Cutting Assemblies
LW15	SW Series Welding Tips / ST Series Heating Tips / DG209, DG205, DG200, SC209, SC205, SC200 Cutting Assemblies

NOTE: 25 per package.

Hand Cutting Torch Repair Kits

Stock No.	Use with Torches
15772	DG900 & SC900 Series
SC100	DG100, 200 & 300 Series; SC100, 200,300 Series

Cutting Assembly Repair Kits

Stock No.	Use with Cutting Assemblies
SC101	Heavy Duty DG200 & SC Series
MC101	Medium Duty DG100 & MC Series

The Little Torch™ Valve Assembly & Packing Replacements

Stock No.	
7345	Oxygen Valve Assembly
7346	Fuel Valve Assembly
7348	PTFE Packing for Valve Assembly (for Oxy and Fuel Valves)

Torch Valve Replacements (2 valves per kit)

Stock No.	Use with Torch Handles & Hand Cutting Torches
LW17	WH100, MW5, MW5A, CW5A & AW10A
G729-5A	WH200, SW1A, SW1B Series, 780 Series Machine Torch
AW11A	AW1A
LW14B-1	DG900, DG200, SC200, SC900 Series Hand Torches, 770 Series Machine Torches, SW1 Series Torch Handles

Torch Head Replacement Nut

Stock No.	Use with Cutting Assemblies
G690-8	MC509, CC509P, AC309, MC505
G900-41A	Use with All SC Series Hand and Machine Torches & Cutting Torch Assemblies SC900 Series, SC772A, SC782A, SC781A, SC780A, SC771, SC770, SC509, SC300 Series Torches, SC300 Series Torches, SC100 Series Torches, SC300 Cutting Assembly
15555	Use with All Heavy Duty Dual Guard Hand Torch & Cutting Assemblies DG900 Series, DG209 Cutting Assembly, DG205 Cutting Assembly, DG300 Series, DG200 Series, DG100 Series
15720-1	Use with DG109A Cutting Assembly - DG109A



SC100



SC101



7345

7348

7346



G729-5A
LW14B-1

LW17

AW11A



Cutting Tip Seat	
Graftite® Packing Replacements	(1 Set Per Bag)
G691	"MC" Cutting Tips
G930	"SC" Cutting Tips



Torch Head Replacement Nut (Tip Nut)

Portable Engine Drive Service Parts

Note: Number in (parenthesis) following the order number denotes quantity needed of particular component.

Model	Serial # Effective	Engine Model	Ignition/ Start Switch #	Brushes/ Brush Assy #	Idle Solenoid #	230 Volt Plug #	Rheostat/ Pot #	Module (Idle) #
Blue Charger™	JJ377166	Onan	172 070	126 984(3)	106 977	088 898	081 712	142 725
Blue Charger™ NT	KH477915	Onan	176 606	126 984(3)	186 308	119 172	081 712	See manual
Blue Star® 145/145 DX	LE366434	Kohler	Engine Mfg	493 509(1)	218 794	213 380	241 165	201 936
Blue Star® 185/185 DX	LE366294	Honda/Kohler	Engine Mfg	493 509(1)	218 794	213 380	241 165	201 936
Blue Star® 3500	KH519597	Honda/Kohler	Engine Mfg	493 509(1)	—	088 898	494 618	—
Blue Star® 6000	KH467216	Honda/Kohler	Engine Mfg	493 509(1)	—	088 898	See manual	—
Bobcat™ 225	LE294172	Kohler/Robin	217 680	205 725(1)	Engine Mfg	119 172	233 060	201 936
Bobcat™ 225D	KB032454	Deutz/Rugg.	172 070	126 984(2)	149 618	119 172	205 839	142 725
Bobcat™ 225D Plus	KG076022	Deutz/Rugg.	176 606	See manual	See manual	119 172	205 839	See manual
Bobcat™ 225G	JK561993	Onan	172 070	126 984(2)	151 485	119 172	205 839	189 742
Bobcat™ 225G Plus	KE582332	Kohler	176 606	126 984(2)	199 530	119 172	205 839	189 742
		Onan	See manual	126 984(2)	165 810	119 172	205 839	189 742
Bobcat™ 225 NT	KH329624	Kohler	See manual	See manual	See manual	119 172	See manual	See manual
		Onan	See manual	See manual	See manual	119 172	See manual	See manual
Bobcat™ 250	LE237205	Kohler/Robin	217 680	205 725(1)	Engine Mfg	119 172	233 060	201 936
Bobcat™ 250 NT	LB097734	Kohler	See manual	See manual	199 530	119 172	233 060	201 936
		Onan/Robin	See manual	See manual	See manual	119 172	233 060	201 936
Bobcat™ 250 D NT	LC357432	Kubota	See manual	205 725(1)	248 995	119 172	233 060	212 062
Bobcat™ 3 Phase	LE295787	Kohler	See manual	205 725(1)	Engine Mfg	119 172	233 060	201 936
Miller Legend®	JH242114	Onan	172 070	126 984(3)	106 977	See manual	081 712	142 725
Miller Legend® NT	KH329624	Onan	176 606	126 984(3)	See manual	119 172	081 712	See manual
Miller Legend® 301G	KH329624	Kohler	176 606	205 725(1)	Engine Mfg	119 172	See manual	—
Miller Legend® 302	KH329624	Kohler	217 680	205 725(1)	Engine Mfg	119 172	See manual	—
Trailblazer® 250G	JG018501	Onan	See manual	126 984(3)	See manual	025 234	072 462	See manual
Trailblazer® 251	KG160691	Onan	176 606	126 984(3)	165 810	025 234	072 623	See manual
Trailblazer® 251 NT	KJ003470	Onan	176 606	126 984(3)	165 810	119 172	072 623	216 273
Trailblazer® 275 DC/302	LE246322	Kohler/Robin	217 680	205 725(1)	Engine Mfg	119 172	See manual	—
Trailblazer® 280 NT	LA095390	Kohler	176 606	126 984(3)	Engine Mfg	119 172	072 623	216 273
		Onan	176 606	126 984(3)	165 810	119 172	072 623	216 273
Trailblazer® DC	LB159073	Onan	176 606	205 725(1)	165 810	119 172	See manual	—
		Robin	176 606	205 725(1)	165 810	119 172	See manual	—
Trailblazer® 301 G	LB159073	Kohler	176 606	205 725(1)	199 530	119 172	See manual	—
		Onan	176 606	205 725(1)	165 810	119 172	See manual	—
		Robin	176 606	205 725(1)	165 810	119 172	See manual	—
Trailblazer® 300 D NT	KJ022682	Kubota	176 606	126 984(3)	See manual	119 172	072 462	—
Trailblazer® 301 D	LC119875	Kubota	176 606	205 725(1)	248 995	119 172	See manual	—
Wildcat™ 200	LJ450001H	Subaru	217 680	493 509(1)	114 708	119 172	238 905	189 742
Wildcat™ 225G	JJ367046	Onan	172 070	126 984(4)	114 708	119 172	205 839	189 742



Portable Engine Drive Tune-Up Components

Portable Engine Drive Tune-Up Components

Engine Drive	Engine Model	Tune-Up Kit #	Oil Filter #	Air Filter #	Air Filter Pre-Cleaner #	Spark Plug #	Battery
Renegade™ 180	Kohler 8.5, CS10, 12.0	221 581	—	221 579	221 580	203 960	GP U1
Trailblazer® 250G/251	Onan Performer P-220	137 046	065 251	064 617	065 653	065 709(2)	(See note ⁶)
Trailblazer® 251 NT	Onan Performer P-220	137 046	065 251	064 617	065 653	065 709(2)	GP 58
Trailblazer® 275 DC/302	Kohler Command CH23 ¹¹	230 015	066 698	230 016	230 017	067 007(2)	GP 58
	Kohler Command CH20/CH730	180 096	066 698	067 272	067 273	067 007(2)	GP 58
	Robin EH 64/65	199 062	198 754	198 755	With Air Filter	198 777(2)	GP 58
Trailblazer® 275 DC/302	Kohler Command CH23/CH680	230 015	066 698	230 016	230 017	067 007(2)	GP 58
Trailblazer® 275 DC/302 EFI	Kohler Command ECH730	246 115	066 698	230 016	230 017	067 007(2)	GP 58
Trailblazer® 275/325	Kohler Command CH730 w/e-gov	230 015	066 698	230 016	230 017	067 007(2)	GP 58
	Kohler Command CH730LP w/e-gov	252 838	066 698	067 272	067 273	067 007(2)	GP 58
Trailblazer® 275/325 EFI	Kohler Command ECH730 w/e-gov	246 115	066 698	230 016	230 017	067 007(2)	GP 58
Trailblazer® 280 NT	Kohler Command CH20	180 096	066 698	067 272	067 273	067 007(2)	GP 58
	Onan Performer P-220	137 046	065 251	064 617	065 653	065 709(2)	GP 58
Trailblazer® DC/301 G	Kohler Command CH20	180 096	066 698	067 272	067 273	067 007(2)	GP 58
Trailblazer® 301 G	Onan Performer P-220	137 046	065 251	064 617	065 653	065 709(2)	GP 58
	Onan Performer OHV220/Robin	199 062	198 754	198 755	With Air Filter	198 777(2)	GP 58
Trailblazer® 300 D NT/301 D	Kubota D722FB-25	206 421	187 443	187 441	—	—	GP 58
Trailblazer® 302 Diesel	Kubota D722FB-25	206 421	187 443	187 441	—	—	GP 58
Trailblazer® 302 Air Pak	Kohler CH750	238 743	066 698	238 744	238 745	238 746(2)	GP51R
Trailblazer® 325 Diesel	Kubota D902	259 935	187 443	258 349	—	—	GP 58
Wildcat 200	Subaru	240 585	—	240 597	—	240 598(2)	GP U1

Engine Drive	Engine Model	Fuel Filter #	Fuel Pump #	Fuel Cap #	Voltage Regulator #	Muffler Gasket #	Muffler #
Renegade™ 180	Kohler 8.5, CS10, 12.0	—	—	203 955	—	203 959	(See note ³)
Trailblazer® 250G/251	Onan Performer P-220	066 113	065 629	220 711	064 846	065 313(2)	(See note ²)
Trailblazer® 251 NT	Onan Performer P-220	066 113	067 283	220 711	064 846	065 313(2)	183 434
Trailblazer® 275 DC/302	Kohler Command CH23	215 984	190 248	220 711	190 249	189 477(2)	228 681
	Kohler Command CH20/CH730	215 984	190 248	220 711	190 249	189 477(2)	228 681
	Robin EH 64/65	215 984	198 756	220 711	198 778	217 441(2)	228 680
Trailblazer 275 DC/302	Kohler Command CH23/CH680	215 984	190 428	220 711*	190 249	189 477(2)	228 681
Trailblazer 275 DC/302 EFI	Kohler Command ECH730	246 110, 246 112	190 248	220 711*	190 249	189 477(2)	245 396
Trailblazer 275/325	Kohler Command CH730 w/e-gov	215 984	190 248	255 707	244 143	261 566(2)	249 313
	Kohler Command CH730LP w/e-gov	—	190 248	—	244 143	261 566(2)	249 313
Trailblazer 275/325 EFI	Kohler Command ECH730 w/e-gov	246110, 246112	190 248	255 707	244 143	261 566(2)	249 741
Trailblazer® 280 NT	Kohler Command CH20	215 984	190 248	220 711	190 249	189 477(2)	183 435
	Onan Performer P-220	066 113	067 283	220 711	064 846	065 313(2)	183 434
Trailblazer® DC/301 G	Kohler Command CH20	215 984	190 248	220 711	190 249	189 477(2)	183 435
Trailblazer® 301 G	Onan Performer P-220	066 113	067 283	220 711	064 846	065 313(2)	183 434
	Onan Performer OHV220/Robin	237 857	198 756	220 711	198 778	065 313(2)	204 841
Trailblazer® 300 D NT/301 D	Kubota D722FB-25	187 442	—	220 711	187 821	189 766	187 428
Trailblazer® 302 Diesel	Kubota D722FB-25	187 442	—	220 711	187 821	189 766	187 428
Trailblazer® 302 Air Pak	Kohler CH750	215 985	190 248	220 711	244 143	189 477	235 107
Trailblazer® 325 Diesel	Kubota D902	218 358, 259 934	—	220 711	—	192 517	257 880
Wildcat 200	Subaru	241 408	246 926	220 711	241 434	246 923	237 720

¹Prior to serial number KG045632 use #065 629. Effective with serial number KG045632 use #067 283.
²Prior to serial number KF926822 use #107 297. Effective with serial number KF926822 use #164 353.
Note: Number in (parenthesis) following the order number denotes quantity needed of particular component.

³Prior to JB482410 = U1.
⁴D=GP 24; DPlus=GP 58.
⁵G=GP U1; GPlus=GP 58.
⁶Prior to KF959177=24.
⁷250=GP 24; 251=GP 58.

⁸Effective with LG070820.
⁹Effective with LG071468.
¹⁰Effective with LG073969.
¹¹Effective with LG074229.

¹Prior to serial number KG045632 use #065 629. Effective with serial number KG045632 use #067 283.
²Prior to serial number KF926822 use #107 297. Effective with serial number KF926822 use #164 353.
Note: Number in (parenthesis) following the order number denotes quantity needed of particular component.
 *Gas tanks are EPA compliant starting 2012 week 10 (March 5, 2012).
 Contact Factory Service Department to ensure correct fuel cap is ordered.



Industrial Engine Drive Tune-Up Components

Industrial Engine Drive Tune-Up Components

Engine Drive	Engine Model	Oil Filter #	Air Filter #	Air Filter (Safety Element) #	Fuel Filter (Primary) #	Fuel Filter (Secondary) #	Engine Filter Kit	Battery
Big 40®	Continental F-163	061 760	017 309	—	—	—		GP 24
Big 40®G	Continental TM-20	114 559	017 309	—	047 420	—		GP 24
Big 40® Diesel	Continental TMD-20	064 983	020 319	—	192 744	—		GP 24
Big 40® Diesel (CAT)	CATERPILLAR 3024C/C2.2	202 166	192 938	192 939	192 744	202 167	246 985	GP 24
Big 50 Diesel™ (Prior to JK718458)	Continental TMD-27	064 983	020 319	—	062 342	065 346		GP 24
Big 50 Diesel™ (Eff. with JK718458)	Continental TMD-27	064 983	020 319	—	192 744	—		GP 24
Big Blue® 251D (Prior to KF846844)	Deutz F3L1011	066 212	126 880	—	192 744	066 217		GP 55
Big Blue® 251D (Eff. with KF846844)	Deutz F3L1011	067 265	126 880	—	192 744	066 217		GP 55
Big Blue® 251D (Eff. with LA153592)	Deutz F3L1011	067 265	197 676	197 679	192 744	066 217		GP 55
Big Blue® 300/Pro	Perkins 403C-15	197 899	197 676	197 679	213 858	197 997		GP 55
	CATERPILLAR C1.5	202 166	197 676	197 679	213 858	217 687	246 987	GP 55
	Deutz 2008	228 778	197 676	197 679	213 858	202 167	246 986	GP 55
	Mitsubishi-S4L2	242 882	197 676	—	252 781	213 858	252 782	GP 55
Big Blue® 302D	Deutz F3L1011	067 265	192 938	192 939	192 744	066 217		GP 24
Big Blue® 302P	Perkins 104.22	197 899	192 938	192 939	192 744	197 997		GP 24
Big Blue® 350 PipePro® (Prior to MA 250132E)	Mitsubishi-S4L2	242 882	197 676	197 679	213 858	242 881	244 711	GP 55
Big Blue® 350 PipePro® (Eff. s/n MA250132)	Mitsubishi-S4L2	242 882	197 676	197 679	213 858	252 781	252 782	GP 55
Big Blue® 350 PipePro®	Caterpillar C1.5	202 166	197 676	197 679	213 185	202 167	246 987	GP 55
Big Blue® 400D	Deutz F3L2011	067 265	192 938	192 939	192 744	066 217	246 988	GP 24
	Perkins 404.22	197 899	192 938	192 939	192 744	197 997	246 985	GP 24
Big Blue® 400D	Deutz F3L912	064 677	020 319	—	062 342	064 686		GP 24
Big Blue® 400 KX	Kubota V1505-EBG1	196 428	197 676	197 679	213 858	207 715		GP 55
Big Blue® 402D /502D/602D	Deutz F4L1011	067 265	192 938	192 939	192 744	066 217		GP 24
	Deutz F3L912	064 677	192 938	192 939	192 744	064 686		GP 24
Big Blue® 402P/502P/602P	Perkins 3.152	192 936	192 938	192 939	192 744	192 937		GP 24
Big Blue® 400/500 ECO Pro	Mitsubishi-S4L2	242 882	197 676	197 679	213 858	252 781		
Big Blue® 500 Pro (Deutz) ⁴	Deutz 2.9L4	067 265	192 938	192 939	255 764	255 765	262 459	GP 31
Big Blue® 500X	Deutz F3L912	064 677	192 938	192 939	192 744	064 686	246 989	GP 24
	Deutz F4L2011	067 265	192 938	192 939	192 744	066 217	246 988	GP 24
	Perkins 404.22T	197 899	192 938	192 939	192 744	197 997	246 985	GP 24
Big Blue® 600D	Deutz F4L912	064 677	020 319	—	062 342	064 686		GP 24
Big Blue® 700 Dual Pro ¹	Deutz F4L2011	067 265	192 938	192 939	192 744	066 217	246 988	GP 24
Big Blue® 800 Pro Air Pak (Deutz) ⁴	Deutz 2.9L4	067 265	192 938	192 939	225 764	255 765	262 459	GP 31
Big Blue® Air Pak™ ¹	Deutz BF4M 2011	067 265	192 938	192 939	192 744	066 217	246 988	GP 24
Big Blue® Turbo	Deutz BF4M 2011	067 265	192 938	192 939	192 744	066 217	246 988	GP 24
Miller Air Pak™	Deutz F4L912	064 677	020 319	—	062 342	064 686		GP 24
Miller Du-Op™	Deutz F3L912/914	064 677	(See note ²)	(See note ³)	062 342	064 686	246 989	GP 24
PRO 300	CATERPILLAR 3013C/C1.5	202 166	197 676	197 679	213 858	202 167	246 987	GP 24
PipePro™ 304	Kubota DH905/1005	196 428	187 441	202 102	066 113	192 744	246 990	GP 55
Trailblazer®Pro 350	Kubota DH905/1005	196 428	187 441	202 102	066 113	192 744	246 990	GP 55

Engine Drive	Engine Model	Fuel Cap #	Blower/Fan Belt #	Alternator Belt #
Big 40®	Continental F-163	182 022	—	—
Big 40®G	Continental TM-20	182 022	118 156	—
Big 40® Diesel	Continental TMD-20	182 022	118 156	—
Big 40® Diesel (CAT)	CATERPILLAR 3024/C2.2	254 678	197 944	—
Big 50 Diesel™ (Prior to JK718458)	Continental TMD-27	182 022	118 156	—
Big 50 Diesel™ (Eff. with JK718458)	Continental TMD-27	182 022	118 156	—
Big Blue® 251D (Prior to KF846844)	Deutz F3L1011	182 022	066 213	—
Big Blue® 251D (Eff. with KF846844)	Deutz F3L1011	182 022	066 213	—
Big Blue® 251D (Eff. with LA153592)	Deutz F3L1011	182 022	066 213	—
Big Blue® 300/Pro	Perkins 403C-15	254 678	217 686	—
	CATERPILLAR C1.5	254 678	217 686	—
	Deutz 2008	254 678	228 780	—
	Mitsubishi-S4L2	254 678	242 883	—
Big Blue® 302D	Deutz F3L1011	254 678	067 266	—
Big Blue® 302P	Perkins 104.22	254 678	197 944	—
Big Blue® 350 PipePro® (Prior to MA 250132E)	Mitsubishi-S4L2	254 678	242 883	—
Big Blue® 350 PipePro® (Eff. s/n MA250132)	Mitsubishi-S4L2	254 678	242 883	—
Big Blue® 350 PipePro®	Caterpillar C1.5	254 678	217 686	—
Big Blue® 400D	Deutz F3L2011	254 678	216 959	—
	Perkins 404.22	254 678	197 944	—
Big Blue® 400D	Deutz F3L912	182 022	064 690	136 250
Big Blue® 400 KX	Kubota V1505-EBG1	254 678	218 468	—
Big Blue® 402D /502D/602D	Deutz F4L1011	254 678	067 266	—
	Deutz F3L912	254 678	066 271	—
Big Blue® 402P/502P/602P	Perkins 3.152	254 678	193 163	—
Big Blue® 500 ECO Pro				
Big Blue® 500 Pro (Deutz)	Deutz 2.9L4	254 678	260 572	—
Big Blue® 500X	Deutz F3L912	254 678	066 271	—
	Deutz F4L2011	254 678	067 266	—
	Perkins 404.22T	254 678	197 944	—
Big Blue® 600D	Deutz F4L912	024 035	066 271	—
Big Blue® 700 Dual Pro	Deutz F4L2011	254 678	197 944	—
Big Blue® 800 Duo Air Pak (Deutz)	Deutz 2.9L4	254 678	260 572	—
Big Blue® Air Pak™ ¹	Deutz BF4M 2011	254 678	207 808	—
Big Blue® Turbo	Deutz F4L 2011	254 678	067 266	—
Miller Air Pak™	Deutz F4L912	024 035	066 271	—
Miller Du-Op™	Deutz F3L912/914	182 022	064 690	066 213
PRO 300	CATERPILLAR 3013C/C1.5	254 678	217 686	—
PipePro™ 304	Kubota DH905/1005	182 022	197 197	—
Trailblazer®Pro 350	Kubota DH905/1005	182 022	197 197	—

¹IR Compressor Filter Kit #246 991, Oil Filter #206 745, Separator Filter #206 747 and Air Filter #197 676.

²Prior to serial number LB043908 use #020 319. Effective with serial number LB043908 use #192 938.

³Effective with serial number LB043908 use #192 939.

⁴Single-Phase Plug #119 172, Three-Phase Plug #254 140.

¹IR Compressor Filter Kit #246 991, Oil Filter #206 745, Separator Filter #206 747 and Air Filter #197 676.

²Prior to serial number LB043908 use #020 319. Effective with serial number LB043908 use #192 938.

³Effective with serial number LB043908 use #192 939.

Industrial Engine Drive Service Parts

Note: Number in (parenthesis) following the order number denotes quantity needed of particular component.

Model	Serial # Effective	Engine Model	Ignition/Start Switch #	Brushes/Brush Assy #	Idle Solenoid #	230 Volt Plug #	Rheostat/Pot #	Module (Idle) #
Big 40®	71-602793	Continental	See manual	151 299(3)	See manual	025 234	See manual	—
Big 40®G	JG011369	Continental	172 070	151 299(3)	005 373	025 234	072 462	189 742
Big 40®WG	LA342228	WIS•CON	176 606	189 142(1)*	005 373	147 633	188 635	195 706
Big 40® Diesel	JG011369	Continental	See manual	151 299(3)	080 517	025 234	072 462	See manual
Big 40® Diesel (CAT)	LB057623	CATERPILLAR	176 606	189 142(1)*	198 624	147 633	188 635	195 706
Big 50® Diesel	JG011369	Continental	See manual	151 299(3)	080 517	025 234	072 462	See manual
Big Blue® 251D	JK587486	Deutz	See manual	151 299(3)	124 974	025 234	605 960	189 742
Big Blue® 300P	LE099775	Perkins	237 417	126 984(2)	080 517	119 172	193 118	214 761
Big Blue® 302D	LA067251	Deutz	176 606	189 142(1)*	174 064	147 633	188 635	195 706
Big Blue® 302P	LA067249	Perkins	176 606	189 142(1)*	198 624	147 633	188 635	195 706
Big Blue® 400	LC732100	Deutz	237 417	189 142(1)*	174 064	147 633	188 635	195 706
		Perkins	237 417	189 142(1)*	198 624	147 633	188 635	195 706
Big Blue® 400D	HK247676	Deutz	See manual	151 299(3)	—	025 234	605 960 (CC) 072 462 (CC/CV)	—
Big Blue® 400 KX	LE253191	Kubota	237 417	126 984(2)	Engine Mfg	—	193 118	214 761
Big Blue® 402D/502D/602D	KK114464	Deutz	176 606	189 142(1)*	See manual	147 633	188 635 (CC) See manual (CC/CV)	195 706
Big Blue® 402P/502P/602P	KJ284383	Perkins	176 606	189 142(1)*	See manual	147 633	188 635 (CC) 193 118 (CC/CV)	195 706
Big Blue® 500D	LC585264	Deutz	237 417	189 142(1)*	—	147 633	188 635 (CC) 193 118 (CC/CV)	195 706
Big Blue® 500P	LE260460	Perkins	237 417	189 142(1)*	—	147 633	188 635 (CC) 193 118 (CC/CV)	219 848 (N/A)
Big Blue® 500 Pro	MD290001E	Deutz 2.9L4	217 680	189 142*	—	119 172	193 118	—
Big Blue® 600D	KA748844	Deutz	See manual	151 299(3)	—	025 234	072 462	—
Big Blue® Air Pak™	LC251836	Deutz	See manual	189 142(1)*	—	147 633	193 118	195 706
Big Blue® 800 Duo Air Pak™	MD360063E	Deutz 2.9L4	217 680	189 142*	—	147 633	193 118	—
Big Blue® Turbo	LC351172	Deutz	See manual	189 142(1)*	—	147 633	193 118	195 706
Miller Air Pak™	JJ338549	Deutz	See manual	151 299(3)	183 030	025 234	072 623	189 742
Miller Du-Op™	KK057228	Deutz	046 433	151 299(3)	—	197 442 (N/A)	035 897	—
PRO 300	LC732152	CATERPILLAR	237 417	126 984(2)	080 517	119 172	193 118	214 761
PipePro™ 304	KK057228	Kubota	176 606	See manual	192 196	119 172	See manual	—
Trailblazer® Pro 350	LA199438	Kubota	198 515	126 984(3)	192 196	119 172	035 897	216 273
Trailblazer® Pro 350D	LC047815	Kubota	176 606	205 725(1)	192 196	119 172	See manual	—

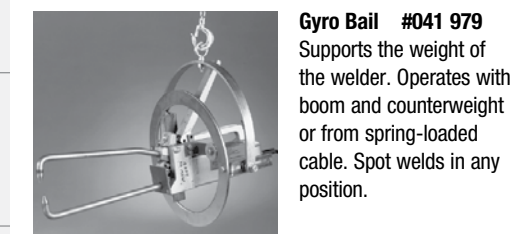
*Brush holder only — must order quantity of three brushes (#190 823) separately with part #189 142

MSW and LMSW Series Tongs and Tips

Tongs	6 in (152 mm)	12 in (305 mm)	18 in (457 mm)	Tips
Standard 	040 197	040 198	040 199	Standard 040 211 Flat 040 212
MO Offset 	040 200	040 201	040 202	MO Offset 040 215
TT-6 	—	040 203	040 204	Standard 040 211 Flat 040 212
TT-9 	—	040 205	040 206	Standard 040 211 Flat 040 212
G-7 	—	8 in (203 mm) 040 207	—	Standard 040 211 Flat 040 212
FF 	—	8 in (203 mm) 040 208	—	FF 040 213
FH 	—	5 in (127 mm) 040 209	—	FH 040 214

For your added convenience, spot welder tongs and tips can now be ordered through the Miller Service Parts business for use with the following models:

- MSW-41, MSW-41T, MSW-42, MSW-42T, LMSW-52 and LMSW-52T



Gyro Bail #041 979
Supports the weight of the welder. Operates with boom and counterweight or from spring-loaded cable. Spot welds in any position.

Important Ordering Information

- To determine the correct tong reorder length, measure exposed tong length when installed in spot welder.
Removed tongs measure 2 inches longer than the listed chart length. For correct reorder length, deduct 2 inches from the removed tong.
- One set of tips is supplied with each set of tongs.
- Maximum welding capabilities are obtained with minimum tong length.
- Tips are made of RWMA Class 2 Alloy.



PSW and SSW Series Tongs

Tongs	Description	6 in (152 mm)	12 in (305 mm)	18 in (457 mm)	Tips Included
	Standard 90° No. 1 MT No. 2 MT	040 218 —	040 219 —	040 220 041 001	040 223 040 308
	Standard 45° No. 1 MT No. 2 MT	— —	041 004 —	041 005 (N/A) 040 296	040 851 040 225
	TT-6W No. 2 MT	—	—	041 838	040 308
	TT-9W No. 2 MT	—	—	041 840	040 308
	SW-12	—	071 465 (N/A)	—	No. 1 Pointed 071 466 Top Flat Threaded 071 467 Bottom

PSW and SSW Series Tips

Tips	Description	Part #	Quantity	Where Used
	No. 1 MT (Pointed)	040 223	2 tips	Standard 90° No. 1 Tongs
	No. 1 MT (Offset)	040 224	2 tips	Standard 90° No. 1 Tongs
	No. 2 MT (Pointed)	040 308	2 tips	Standard 90° No. 2 Tongs, TT-6W Tongs, TT-9W Tongs
	No. 1 MT (Offset)	040 851	2 tips	Standard 45° No. 1 Tongs
	No. 1 MT (Offset)	040 226	2 tips	Standard 90° No. 1 Tongs
	No. 1 MT (Offset)	040 298	2 tips	Standard 90° No. 1 Tongs
	No. 2 MT (Offset)	040 225	2 tips	Standard 45° No. 2 Tongs
	No. 1 MT (Pointed)	071 466	1 tip for top tong	SW-12 Tongs
	Threaded (Flat)	071 343	1 tip for bottom tong	SW-12 Tongs (Optional)
	Threaded (Flat)	071 467	1 tip for bottom tong	SW-12 Tongs
	No. 1 MT (Flat Swivel Tip)	040 216	2 tips	Standard 90° No. 1 Tongs
	Adapter (Adapts No. 1 Morse Taper Tip to No. 2 Receptacle)	040 227	2 adapters	Standard 90° No. 2 Tongs, TT-6W Tongs (Top), TT-9W Tongs (Top)

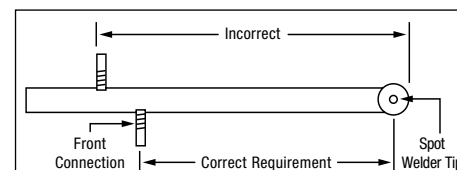
For your added convenience, spot welder tongs and tips can now be ordered through the Miller Service Parts business for use with the following models:

- PSW-1020 ATT and PSW-2020 ATT
- SSW-1020 ATT, SSW-2020 ATT and SSW-2040 ATT



Important Ordering Information

- To determine the correct tong reorder length, measure from the center of the spot weld tip back to the front water hose connection.



- Tongs and tips shown to the left can be used with all PSW and SSW model spot welders. Recommended maximum tong length is 18 in (457 mm). A limited group of special tongs are available, contact Miller Service Parts.
- Tong throat-height dimension for standard 90° and 45° tongs is 4-1/4 in (108 mm). Throat length is measured from the center of the spot tips to the front water hose connection on the tong.
- One set of tips is supplied with each set of tongs.
- Tips are made of RWMA Class 2 alloy.
- Maximum welding capabilities are obtained with minimum tong length.
- MT = Morse Taper
No. 1 Morse Taper diameter = 1/2 inch
No. 2 Morse Taper diameter = 5/8 inch

TIG Connectors

A-150/A-200 1-Piece Power Cable Connectors

194 722 / 194 723 50 mm Dinse-style gas thru for one-piece air-cooled torch.	195 378 / 195 379 50 mm Dinse-style for one-piece air-cooled torch.	105 257 Power cable adapter for one-piece A-150 torch.	45V62 Power cable adapter for one-piece A-200 torch.	129 527 50 mm Dinse-style for two-piece cable air-cooled torch.

W-225 Power Cable Connectors

195 380 50 mm Dinse-style gas thru with gas and water return lines for water-cooled torch.	195 377 50 mm Dinse-style with water return line for water-cooled torch.	45V11 Power cable adapter for water-cooled torch.	225 028 50 mm thread lock-style for water-cooled torch.

Machines	Connection Type	A-150 Power Cable Connector		A-200 Power Cable Connector		W-225 Power Cable Connector
		1-Piece	2-Piece	1-Piece	2-Piece	
TIG Machines						
Syncrowave® 200/210	50 mm Dinse, Gas Thru	194 722	129 527*	194 723	129 527*	195 380
Syncrowave® 250 DX/350 DX (Dinse)	50 mm Dinse	195 378	129 527	195 379	129 527	195 377
Syncrowave® 250 DX/350 DX (Stud)	1/2 in Stud	105 257	N/A	45V62	N/A	45V11
Maxstar® 150 STL/STH	25 mm Dinse, Gas Thru	195 234	127 836*	N/A	N/A	N/A
Dynasty® 200/350, Maxstar® 200/350	25 mm Dinse	195 378	129 527	195 379	129 527	195 377
Dynasty® 700, Maxstar® 700	50 mm Thread Lock	N/A	N/A	N/A	N/A	225 028
Multiprocess Machines						
Multimatic™ 200	25 mm Dinse, Gas Thru	195 234	127 836*	N/A	N/A	N/A
Dimension™ 302/452/NT 450/652	1/2 in Stud	105 257	N/A	45V62	N/A	45V11
Pipeworx	1/2 in Stud	105 257	N/A	45V62	N/A	45V11
XMT® 304/350	50 mm Dinse	195 378	129 527	195 379	129 527	195 377
XMT® 450	1/2 in Stud	105 257	N/A	45V62	N/A	45V11
Engine-Driven Machines						
Most Big Blue®, Trailblazer®, Bobcat®, Blue Star®, and Wildcat® models	1/2 in Stud	105 257	N/A	45V62	N/A	45V11
Big Blue® 450 Duo CST	50 mm Dinse	195 378	129 527	195 379	129 527	195 377
General Reference						
	25 mm Dinse, Gas Thru	195 234	N/A	N/A	N/A	N/A
	50 mm Dinse	195 378	129 527	129 527	129 527	195 377
	50 mm Dinse, Gas Thru	194 722	N/A	N/A	N/A	195 380
	50 mm Thread Lock	N/A	N/A	N/A	N/A	225 028
	1/2 in Stud	105 257	N/A	N/A	N/A	45V11
Other Adapter						
	Stud to Dinse Adapter	232 728	N/A	232 728	N/A	232 728

*Two-piece power cable connector is not gas thru.



Weldcraft® A-125 Series Hand-Held Air-Cooled

Formerly WP-9 Series Service Parts/Consumables

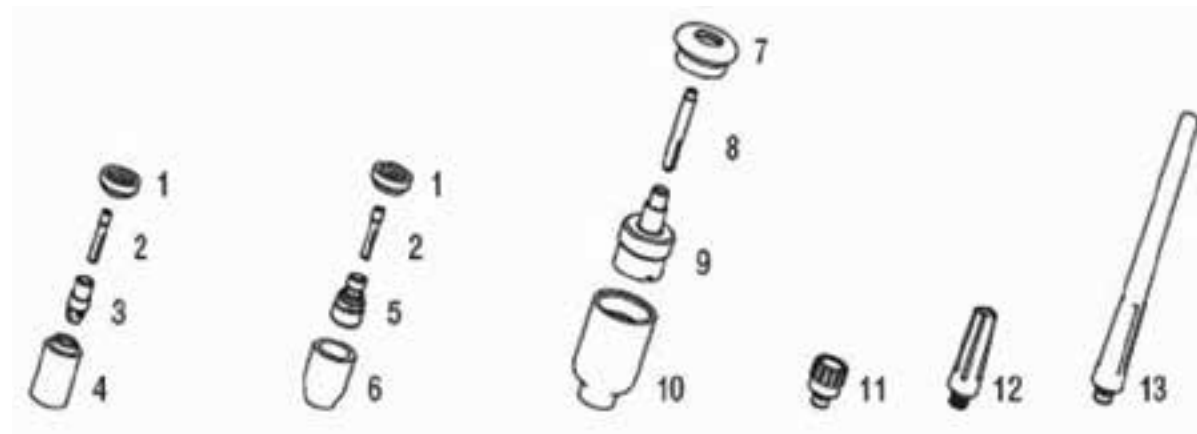


A-125 (WP-9)

Additional Torch Models



Note: Torches delivered may vary slightly from images shown.



Consumables

Non-Gas Lens

Electrode Size - inch (mm)	.020 (0.5)	.040 (1.0)	1/16 (1.6)	3/32 (2.4)	1/8 (3.2)				
1 Insulator (required)	9-4	9-4	9-4	9-4	9-4				
2 Collet	13N20	13N21	13N22	13N23	13N24				
3 Collet Body	13N25	13N26	13N27	13N28	13N29				
Nozzle Size - size # (inch)	3 (3/16)	4 (1/4)	5 (5/16)	6 (3/8)	7 (7/16)	8 (1/2)	10 (5/8)	12 (3/4)	Short
4 Alumina	—	13N08	13N09	13N10	13N11	13N12	13N13	—	—
* Lava	—	13N14	13N15	13N16	13N17	13N18	13N19	—	—
* Long Lava	796F70	796F71	796F72	796F73	—	—	—	—	—
* X-Long Lava	796F74	796F75	796F76	796F77	—	—	—	—	—

Gas Lens

Electrode Size - inch (mm)	.020 (0.5)	.040 (1.0)	1/16 (1.6)	3/32 (2.4)	1/8 (3.2)				
1 Insulator (required)	9-4	9-4	9-4	9-4	9-4				
2 Collet	13N20	13N21	13N22	13N23	13N24				
5 Gas Lens	45V41	45V42	45V43	45V44	45V45				
Nozzle Size - size # (inch)	3 (3/16)	4 (1/4)	5 (5/16)	6 (3/8)	7 (7/16)	8 (1/2)	10 (5/8)	12 (3/4)	Short
6 Alumina Gas Lens	—	53N58	53N59	53N60	53N61	53N61S	—	—	—

Large Diameter Gas Lens

Electrode Size - inch (mm)	.020 (0.5)	.040 (1.0)	1/16 (1.6)	3/32 (2.4)	1/8 (3.2)				
7 Insulator (required)	54N63-20	54N63-20	54N63-20	54N63-20	54N63-20				
8 Collet	13N20L	13N21L	13N22L	13N23L	13N24L				
9 Large Diameter Gas Lens	45V0204S	45V0204S	45V116S	45V64S	995795S				
Nozzle Size - size # (inch)	3 (3/16)	4 (1/4)	5 (5/16)	6 (3/8)	7 (7/16)	8 (1/2)	10 (5/8)	12 (3/4)	Short
10 Large Dia. Gas Lens	—	—	—	57N75	—	57N74	53N88	53N87	53N89
* Large Dia. Gas Lens-L	—	—	—	57N75L	—	57N74L	53N88L	53N87L	—
* Large Dia. Gas Lens-XL	—	—	—	57N75XL	—	57N74XL	53N88XL	53N87XL	—
* Large Dia. Gas Lens-XXL	—	—	—	57N75XXL	—	57N74XXL	53N88XXL	53N87XXL	—

Back Caps

11 Short 41V33	12 Medium 41V35	13 Long 41V24
----------------	-----------------	---------------

*Not shown.

Models	1-Piece Power Cable Standard Rubber		2-Piece Power Cable Rubber		
Old Model	New Name	12.5 ft (3.8 m)	25 ft (7.6 m)	12.5 ft (3.8 m)	25 ft (7.6 m)
WP-9	A-125	WP-9-12-R	WP-9-25-R	—	—
WP-9V	A-125 Valve	WP-9V-12-R	WP-9V-25-R	WP-9V-12-2	WP-9V-25-2
WP-9F	A-125 Flex	WP-9F-12-R	WP-9F-25-R	—	—
WP-9FV	A-125 Flex Valve	WP-9FV-12-R	WP-9FV-25-R	WP-9FV-12-2	WP-9FV-25-2
WP-9P	A-125 Pencil	WP-9P-12-R	WP-9P-25-R	—	—

V= Valve F=Flex FV=Flex Valve P=Pencil

Torch packages include torch body, handle, power cable, and long back cap (excluding the A-125 Pencil model).

Torch Bodies	Valves	Handles
A-125	WP-9	Ribbed H-100R
A-125 Valve	WP-9V	Knurled H-100
Torch Bodies Optional	Flex Head ONLY	
A-125 Flex	WP-9F	Ribbed 105Z55R
A-125 Flex Valve	WP-9FV	Knurled 105Z55
A-125 Redhead Flex	WP-R9F	
A-125 Redhead Flex Valve	WP-R9FV	

Power Cables		2-Piece		Mono Flex	
Rubber		12.5 ft (3.8 m)	25 ft (7.6 m)	12.5 ft (3.8 m)	25 ft (7.6 m)
57Y01R	57Y03R	57Y01-2	57Y03-2	57Y01MF	57Y03MF
Replacement Gas Hose					
—	—	45V09R	45V10R	—	—

#AK1C Accessory Kit

Includes one long back cap, two collets (one collet per size: .040, 1/16), two collet bodies (one collet body per size: .040, 1/16), three alumina nozzles (one nozzle per size: 4, 5, 6), and two 7-inch 2% ceriated tungsten electrodes (one electrode per size: .040, 1/16).



Cable Covers

#WC-3-10 10 ft (3 m)
#WC-3-22 22 ft (6.7 m)

Extension Kit

#EK-2-25-R 25 ft (7.6 m), Rubber



Weldcraft® A-150 Series

Hand-Held Air-Cooled
Formerly WP-17 Series

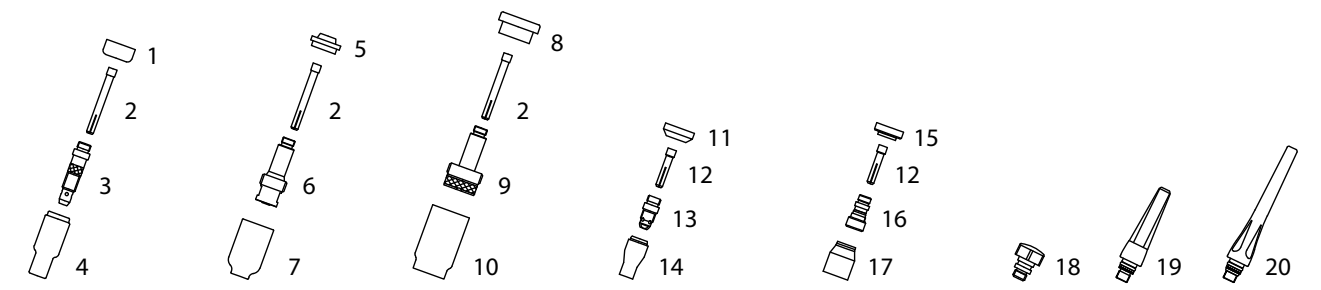


A-150 (WP-17)

Additional Torch Models



Note: Torches delivered may vary slightly from images shown.



Consumables

Non-Gas Lens

Electrode Size - inch (mm)	.020 (0.5)	.040 (1.0)	1/16 (1.6)	3/32 (2.4)	1/8 (3.2)			
1 Insulator (required)	18CG	18CG	18CG	18CG	18CG			
2 Collet	10N21	10N22	10N23	10N24	10N25			
3 Collet Body	10N29	10N30	10N31	10N32	10N33			
Nozzle Size - size # (inch)	4 (1/4)	5 (5/16)	6 (3/8)	7 (7/16)	8 (1/2)	10 (5/8)	12 (3/4)	Short
4 Alumina	10N50	10N49	10N48	10N47	10N46	10N45	10N44	—
* Long Alumina	—	10N49L	10N48L	10N47L	—	—	—	—
* Lava	105Z43	105Z42	105Z44	105Z45	08N78	08N79	08N80	—
* Long Lava	12N03	105Z60	12N02	105Z61	—	—	—	—

Gas Lens

Electrode Size - inch (mm)	.020 (0.5)	.040 (1.0)	1/16 (1.6)	3/32 (2.4)	1/8 (3.2)			
5 Insulator (required)	54N01	54N01	54N01	54N01	54N01			
2 Collet	10N21	10N22	10N23	10N24	10N25			
6 Gas Lens	45V29	45V24	45V25	45V26	45V27			
Nozzle Size - size # (inch)	4 (1/4)	5 (5/16)	6 (3/8)	7 (7/16)	8 (1/2)	10 (5/8)	12 (3/4)	Short
7 Alumina Gas Lens	54N18	54N17	54N16	54N15	54N14	—	—	54N19
* Long Gas Lens	—	54N17L	54N16L	54N15	—	—	—	—

Large Diameter Gas Lens

Electrode Size - inch (mm)	.020 (0.5)	.040 (1.0)	1/16 (1.6)	3/32 (2.4)	1/8 (3.2)			
8 Insulator (required)	54N63	54N63	54N63	54N63	54N63			
2 Collet	10N21	10N22	10N23	10N24	10N25			
9 Large Diameter Gas Lens	45V0204	45V0204	45V116	45V64	995795			
Nozzle Size - size # (inch)	4 (1/4)	5 (5/16)	6 (3/8)	7 (7/16)	8 (1/2)	10 (5/8)	12 (3/4)	Short
10 Large Dia. Gas Lens	—	—	57N 75	—	57N74	53N88	53N87	53N89
* Large Dia. Gas Lens-L	—	—	57N75L	—	57N74L	53N88L	53N87L	—
* Large Dia. Gas Lens-XL	—	—	57N75XL	—	57N74XL	53N88XL	53N87XL	—
* Large Dia. Gas Lens-XXL	—	—	57N75XXL	—	57N74XXL	53N88XXL	53N87XXL	—

Stubby Non-Gas Lens

Electrode Size - inch (mm)	.020 (0.5)	.040 (1.0)	1/16 (1.6)	3/32 (2.4)	1/8 (3.2)			
11 Insulator (required)	18CG20	18CG20	18CG20	18CG20	18CG20			
12 Stubby Collet	—	10N22S	10N23S	10N24S	10N25S			
13 Stubby Collet Body	17CB20	17CB20	17CB20	17CB20	17CB20			
Nozzle Size - size # (inch)	4 (1/4)	5 (5/16)	6 (3/8)	7 (7/16)	8 (1/2)	10 (5/8)	12 (3/4)	Short
14 Stubby Alumina	13N08	13N09	13N10	13N11	13N12	13N13	—	—

Stubby Gas Lens

Electrode Size - inch (mm)	.020 (0.5)	.040 (1.0)	1/16 (1.6)	3/32 (2.4)	1/8 (3.2)			
15 Insulator (required)	17GLG20	17GLG20	17GLG20	17GLG20	17GLG20			
12 Stubby Collet	—	10N22S	10N23S	10N24S	10N25S			
16 Stubby Gas Lens	—	17GL040	17GL118	17GL332	17GL18			
Nozzle Size - size # (inch)	4 (1/4)	5 (5/16)	6 (3/8)	7 (7/16)	8 (1/2)	10 (5/8)	12 (3/4)	Short
17 Alumina Gas Lens	53N58	53N59	53N60	53N61	53N61S	—	—	—

Back Caps

18 Short 57Y04	19 Medium 300M	20 Long 57Y02
----------------	----------------	---------------

*Not shown.

Models		1-Piece Power Cable Standard Rubber		1-Piece Power Cable Mono-Flex™		2-Piece Power Cable Rubber	
		12.5 ft (3.8 m)	25 ft (7.6 m)	12.5 ft (3.8 m)	25 ft (7.6 m)	12.5 ft (3.8 m)	25 ft (7.6 m)
WP-17	A-150	WP-17-12-R	WP-17-25-R	WP-17-12-MF	WP-17-25-MF	WP-17-12-2	WP-17-25-2
WP-17V	A-150 Valve	WP-17V-12-R	WP-17V-25-R	—	WP-17V-25-MF	WP-17V-12-2	WP-17V-25-2
WP-17F	A-150 Flex	WP-17F-12-R	WP-17F-25-R	—	—	WP-17F-12-2	WP-17F-25-2
WP-17FV	A-150 Flex Valve	WP-17FV-12-R	WP-17FV-25-R	—	—	WP-17FV-12-2	WP-17FV-25-2
WP-R17FV	A-150 Flex Valve Redhead™	WP-R17FV-12-R	WP-R17FV-25-R	—	—	—	—
WP-17-PSH	A-150 PSH	—	WP-17-25-R-PSH	—	—	—	—
WP-17V-PSH	A-150 Valve PSH	WP-17V-12-R-PSH	WP-17V-25-R-PSH	—	—	—	WP-17V-25-2-PSH

V= Valve F=Flex FV=Flex Valve PSH=Positive Stop Handle (threaded handle)
Torch packages include torch body, handle, power cable, and long back cap.

Torch Bodies	Valves	Handles
A-150	WP-17	Ribbed H-100R
A-150 Valve	WP-17V	Knurled H-100
Torch Bodies Optional	Flex Head ONLY	
A-150 Flex	WP-17F	Ribbed 105Z55R
A-150 Flex Valve	WP-17FV	Knurled 105Z55
A-150 Redhead Flex	WP-R17F	
A-150 Redhead Flex Valve	WP-R17FV	
A-150 PSH	WP-17-PSH	
A-150 Valve PSH	WP-17V-PSH	

Power Cables		2-Piece		Mono Flex	
Rubber		12.5 ft (3.8 m)	25 ft (7.6 m)	12.5 ft (3.8 m)	25 ft (7.6 m)
57Y01R	57Y03R	57Y01-2	57Y03-2	57Y01MF	57Y03MF
Replacement Gas Hose					
—	—	45V09R	45V10R	—	—

#AK2C Accessory Kit
Includes one short back cap, three collets (one collet per size: .040, 1/16, 3/32), three collet bodies (one collet body per size: .040, 1/16, 3/32), three alumina nozzles (one nozzle per size: 4, 5, 6), and three 7-inch 2% ceriated tungsten electrodes (one electrode per size: .040, 1/16, 3/32).



Cable Covers
#WC-3-10 10 ft (3 m)
#WC-3-22 22 ft (6.7 m)



Extension Kit
#EK-2-25-R 25 ft (7.6 m), Rubber



Weldcraft® A-200 Series

Hand-Held Air-Cooled
Formerly WP-26 Series

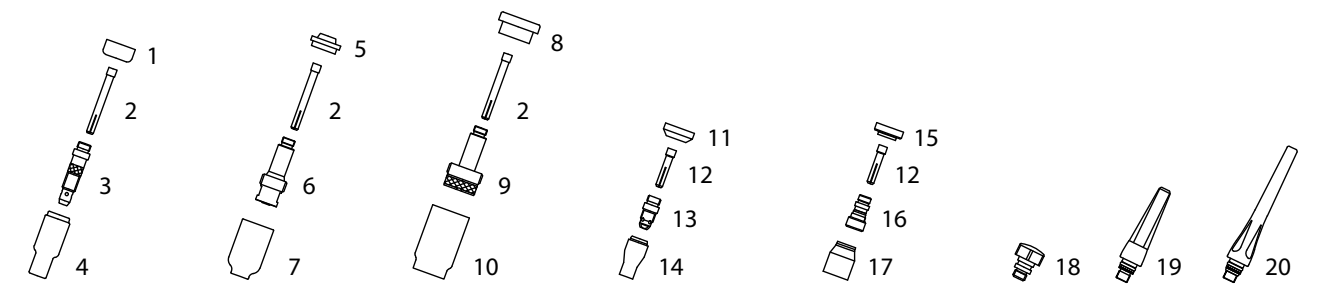


A-200 (WP-26)

Additional Torch Models



Note: Torches delivered may vary slightly from images shown.



Consumables

Non-Gas Lens

Electrode Size - inch (mm)	.020 (0.5)	.040 (1.0)	1/16 (1.6)	3/32 (2.4)	1/8 (3.2)			
1 Insulator (required)	18CG	18CG	18CG	18CG	18CG			
2 Collet	10N21	10N22	10N23	10N24	10N25			
3 Collet Body	10N29	10N30	10N31	10N32	10N33			
Nozzle Size - size # (inch)	4 (1/4)	5 (5/16)	6 (3/8)	7 (7/16)	8 (1/2)	10 (5/8)	12 (3/4)	Short
4 Alumina	10N50	10N49	10N48	10N47	10N46	10N45	10N44	—
* Long Alumina	—	10N49L	10N48L	10N47L	—	—	—	—
* Lava	105Z43	105Z42	105Z44	105Z45	08N78	08N79	08N80	—
* Long Lava	12N03	105Z60	12N02	105Z61	—	—	—	—

Gas Lens

Electrode Size - inch (mm)	.020 (0.5)	.040 (1.0)	1/16 (1.6)	3/32 (2.4)	1/8 (3.2)			
5 Insulator (required)	54N01	54N01	54N01	54N01	54N01			
2 Collet	10N21	10N22	10N23	10N24	10N25			
6 Gas Lens	45V29	45V24	45V25	45V26	45V27			
Nozzle Size - size # (inch)	4 (1/4)	5 (5/16)	6 (3/8)	7 (7/16)	8 (1/2)	10 (5/8)	12 (3/4)	Short
7 Alumina Gas Lens	54N18	54N17	54N16	54N15	54N14	—	—	54N19
* Long Gas Lens	—	54N17L	54N16L	54N15	—	—	—	—

Large Diameter Gas Lens

Electrode Size - inch (mm)	.020 (0.5)	.040 (1.0)	1/16 (1.6)	3/32 (2.4)	1/8 (3.2)			
8 Insulator (required)	54N63	54N63	54N63	54N63	54N63			
2 Collet	10N21	10N22	10N23	10N24	10N25			
9 Large Diameter Gas Lens	45V0204	45V0204	45V116	45V64	995795			
Nozzle Size - size # (inch)	4 (1/4)	5 (5/16)	6 (3/8)	7 (7/16)	8 (1/2)	10 (5/8)	12 (3/4)	Short
10 Large Dia. Gas Lens	—	—	57N 75	—	57N74	53N88	53N87	53N89
* Large Dia. Gas Lens-L	—	—	57N75L	—	57N74L	53N88L	53N87L	—
* Large Dia. Gas Lens-XL	—	—	57N75XL	—	57N74XL	53N88XL	53N87XL	—
* Large Dia. Gas Lens-XXL	—	—	57N75XXL	—	57N74XXL	53N88XXL	53N87XXL	—

Stubby Non-Gas Lens

Electrode Size - inch (mm)	.020 (0.5)	.040 (1.0)	1/16 (1.6)	3/32 (2.4)	1/8 (3.2)			
11 Insulator (required)	18CG20	18CG20	18CG20	18CG20	18CG20			
12 Stubby Collet	—	10N22S	10N23S	10N24S	10N25S			
13 Stubby Collet Body	17CB20	17CB20	17CB20	17CB20	17CB20			
Nozzle Size - size # (inch)	4 (1/4)	5 (5/16)	6 (3/8)	7 (7/16)	8 (1/2)	10 (5/8)	12 (3/4)	Short
14 Stubby Alumina	13N08	13N09	13N10	13N11	13N12	13N13	—	—

Stubby Gas Lens

Electrode Size - inch (mm)	.020 (0.5)	.040 (1.0)	1/16 (1.6)	3/32 (2.4)	1/8 (3.2)			
15 Insulator (required)	17GLG20	17GLG20	17GLG20	17GLG20	17GLG20			
12 Stubby Collet	—	10N22S	10N23S	10N24S	10N25S			
16 Stubby Gas Lens	—	17GL040	17GL118	17GL332	17GL18			
Nozzle Size - size # (inch)	4 (1/4)	5 (5/16)	6 (3/8)	7 (7/16)	8 (1/2)	10 (5/8)	12 (3/4)	Short
17 Alumina Gas Lens	53N58	53N59	53N60	53N61	53N61S	—	—	—

Back Caps

18 Short 57Y04	19 Medium 300M	20 Long 57Y02
----------------	----------------	---------------

*Not shown.

Models		1-Piece Power Cable Standard Rubber		2-Piece Power Cable Rubber
		12.5 ft (3.8 m)	25 ft (7.6 m)	25 ft (7.6 m)
WP-26	A-200	WP-26-12-R	WP-26-25-R	WP-26-25-2
WP-26V	A-200 Valve	WP-26V-12-R	WP-26V-25-R	WP-26V-25-2
WP-26F	A-200 Flex	—	WP-26F-25-R	WP-26F-25-2
WP-26FV	A-200 Flex Valve	WP-26FV-12-R	WP-26FV-25-R	WP-26FV-25-2

V= Valve F=Flex FV=Flex Valve
Torch packages include torch body, handle, power cable, and long back cap.

#AK3C Accessory Kit

Includes one short back cap, three collets (one collet per size: 1/16, 3/32, 1/8), three collet bodies (one collet body per size: 1/16, 3/32, 1/8), three alumina nozzles (one nozzle per size: 5, 6, 8), and three 7-inch 2% ceriated tungsten electrodes (one electrode per size: 1/16, 3/32, 1/8).



Torch Bodies	Valves	Handles
A-200	WP-26	Ribbed H-200R
A-200 Valve	WP-26V	Knurled H-200

Torch Bodies Optional	Valves	Handles
A-200 Flex	WP-26F	Ribbed 10N15R
A-200 Flex Valve	WP-26FV	Knurled 10N15

Torch Bodies Optional	Valves	Handles
A-200 Redhead Flex	WP-R26F	
A-200 Redhead Flex Valve	WP-R26FV	

Power Cables	1-Piece	2-Piece
Rubber		
12.5 ft (3.8 m)	25 ft (7.6 m)	12.5 ft (3.8 m) 25 ft (7.6 m)
46V28R	46V60R	46V28-2 46V30-2
Replacement Gas Hose		
—	46V30R	40V75R 41V30R

Cable Covers

#WC-3-10 10 ft (3 m)
#WC-3-22 22 ft (6.7 m)



Extension Kit

#EK-3-25-R 25 ft (7.6 m), Rubber



Weldcraft® W-250 Series Hand-Held Water-Cooled

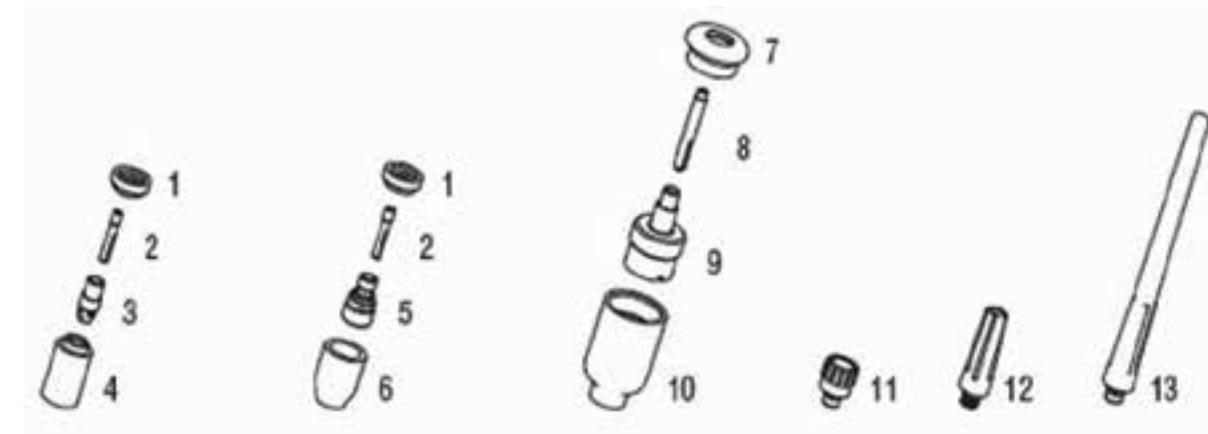
Formerly WP-20 Series Service Parts/Consumables



Additional Torch Models



Note: Torches delivered may vary slightly from images shown.



Consumables

Non-Gas Lens

Electrode Size - inch (mm)	.020 (0.5)	.040 (1.0)	1/16 (1.6)	3/32 (2.4)	1/8 (3.2)				
1 Insulator (required)	9-4	9-4	9-4	9-4	9-4				
2 Collet	13N20	13N21	13N22	13N23	13N24				
3 Collet Body	13N25	13N26	13N27	13N28	13N29				
Nozzle Size - size # (inch)	3 (3/16)	4 (1/4)	5 (5/16)	6 (3/8)	7 (7/16)	8 (1/2)	10 (5/8)	12 (3/4)	Short
4 Alumina	—	13N08	13N09	13N10	13N11	13N12	13N13	—	—
* Lava	—	13N14	13N15	13N16	13N17	13N18	13N19	—	—
* Long Lava	796F70	796F71	796F72	796F73	—	—	—	—	—
* X-Long Lava	796F74	796F75	796F76	796F77	—	—	—	—	—

Gas Lens

Electrode Size - inch (mm)	.020 (0.5)	.040 (1.0)	1/16 (1.6)	3/32 (2.4)	1/8 (3.2)				
1 Insulator (required)	9-4	9-4	9-4	9-4	9-4				
2 Collet	13N20	13N21	13N22	13N23	13N24				
5 Gas Lens	45V41	45V42	45V43	45V44	45V45				
Nozzle Size - size # (inch)	3 (3/16)	4 (1/4)	5 (5/16)	6 (3/8)	7 (7/16)	8 (1/2)	10 (5/8)	12 (3/4)	Short
6 Alumina Gas Lens	—	53N58	53N59	53N60	53N61	53N61S	—	—	—

Large Diameter Gas Lens

Electrode Size - inch (mm)	.020 (0.5)	.040 (1.0)	1/16 (1.6)	3/32 (2.4)	1/8 (3.2)				
7 Insulator (required)	54N63-20	54N63-20	54N63-20	54N63-20	54N63-20				
8 Collet	13N20L	13N21L	13N22L	13N23L	13N24L				
9 Large Diameter Gas Lens	45V0204S	45V0204S	45V116S	45V64S	995795S				
Nozzle Size - size # (inch)	3 (3/16)	4 (1/4)	5 (5/16)	6 (3/8)	7 (7/16)	8 (1/2)	10 (5/8)	12 (3/4)	Short
10 Large Dia. Gas Lens	—	—	—	57N75	—	57N74	53N88	53N87	53N89
* Large Dia. Gas Lens-L	—	—	—	57N75L	—	57N74L	53N88L	53N87L	—
* Large Dia. Gas Lens-XL	—	—	—	57N75XL	—	57N74XL	53N88XL	53N87XL	—
* Large Dia. Gas Lens-XXL	—	—	—	57N75XXL	—	57N74XXL	53N88XXL	53N87XXL	—

Back Caps

11 Short 41V33	12 Medium 41V35	13 Long 41V24
----------------	-----------------	---------------

*Not shown.

Models		Braided Rubber		Vinyl
Old Model	New Name	12.5 ft (3.8 m)	25 ft (7.6 m)	25 ft (7.6 m)
WP-20	W-250	WP-20-12-R	WP-20-25-R	WP-20-25
WP-20V	W-250 Valve	—	—	WP-20V-25

V= Valve
Torch packages include torch body, handle, power cable, long back cap, gas hose and water hose.

#AK4C Accessory Kit

Includes one long back cap, three collets (one collet per size: 1/16, 3/32, 1/8), three collet bodies (one collet body per size: 1/16, 3/32, 1/8), three alumina nozzles (one nozzle per size: 5, 6, 7), and three 7-inch 2% ceriated tungsten electrodes (one electrode per size: 1/16, 3/32, 1/8).



Cable Covers

#WC-3-10 10 ft (3 m)
#WC-3-22 22 ft (6.7 m)

Torch Bodies		Valves	Handles	
W-250	WP-20	—	Ribbed	53N06
W-250 Valve	WP-20V	VS-2	Knurled	53N06R

Power Cables				
	Vinyl		Braided	
	12.5 ft (3.8 m)	25 ft (7.6 m)	12.5 ft (3.8 m)	25 ft (7.6 m)
Power Cable	45V03	45V04	45V03R	45V04R
Water Hose	45V07	45V08	45V07R	45V08R
Gas Hose	45V09	45V10	45V09R	45V10R

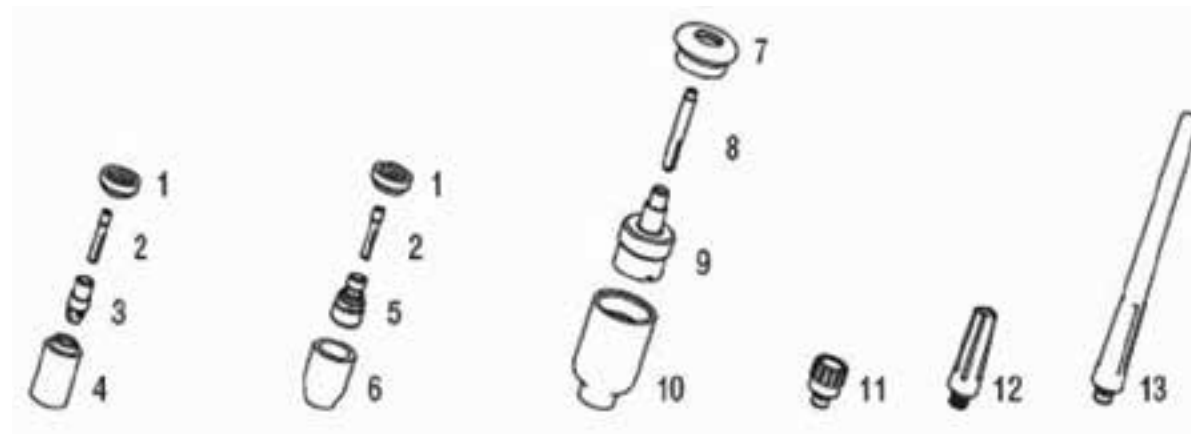


Weldcraft® W-310 Series Hand-Held Water-Cooled

Formerly CS310 Service Parts/Consumables



W-310
(CS310A)



Consumables

Non-Gas Lens

Electrode Size - inch (mm)	.020 (0.5)	.040 (1.0)	1/16 (1.6)	3/32 (2.4)	1/8 (3.2)				
1 Insulator (required)	9-4	9-4	9-4	9-4	9-4				
2 Collet	13N20	13N21	13N22	13N23	13N24				
3 Collet Body	13N25	13N26	13N27	13N28	13N29				
Nozzle Size - size # (inch)	3 (3/16)	4 (1/4)	5 (5/16)	6 (3/8)	7 (7/16)	8 (1/2)	10 (5/8)	12 (3/4)	Short
4 Alumina	—	13N08	13N09	13N10	13N11	10N46	10N45	—	—
* Lava	—	13N14	13N15	13N16	13N17	13N18	13N19	—	—
* Long Lava	796F70	796F71	796F72	796F73	—	—	—	—	—
* X-Long Lava	796F74	796F75	796F76	796F77	—	—	—	—	—

Gas Lens

Electrode Size - inch (mm)	.020 (0.5)	.040 (1.0)	1/16 (1.6)	3/32 (2.4)	1/8 (3.2)				
1 Insulator (required)	9-4	9-4	9-4	9-4	9-4				
2 Collet	13N20	13N21	13N22	13N23	13N24				
5 Gas Lens	45V41	45V42	45V43	45V44	45V45				
Nozzle Size - size # (inch)	3 (3/16)	4 (1/4)	5 (5/16)	6 (3/8)	7 (7/16)	8 (1/2)	10 (5/8)	12 (3/4)	Short
6 Alumina Gas Lens	—	53N58	53N59	53N60	53N61	53N61S	—	—	—

Large Diameter Gas Lens

Electrode Size - inch (mm)	.020 (0.5)	.040 (1.0)	1/16 (1.6)	3/32 (2.4)	1/8 (3.2)				
7 Insulator (required)	54N63-20	54N63-20	54N63-20	54N63-20	54N63-20				
8 Collet	13N20L	13N21L	13N22L	13N23L	13N24L				
9 Large Diameter Gas Lens	45V0204S	45V0204S	45V116S	45V64S	995795S				
Nozzle Size - size # (inch)	3 (3/16)	4 (1/4)	5 (5/16)	6 (3/8)	7 (7/16)	8 (1/2)	10 (5/8)	12 (3/4)	Short
10 Large Dia. Gas Lens	—	—	—	57N75	—	57N74	53N88	53N87	53N89
* Large Dia. Gas Lens-L	—	—	—	57N75L	—	57N74L	53N88L	53N87L	—
* Large Dia. Gas Lens-XL	—	—	—	57N75XL	—	57N74XL	53N88XL	53N87XL	—
* Large Dia. Gas Lens-XXL	—	—	—	57N75XXL	—	57N74XXL	53N88XXL	53N87XXL	—

Back Caps

11 Short CS110-BCS	12 Medium 41V35	13 Long 41V24
--------------------	-----------------	---------------

*Not shown.

Models		Braided Rubber		
Old Model	New Name	12.5 ft (3.8 m)	25 ft (7.6 m)	50 ft (15.2 m)
CS310A	W-310	CS310-12	CS310-25	CS310-50

Torch packages include torch body, handle, power cable, long back cap, gas hose, water hose and cable cover.

Torch Bodies		Handles	
W-310	CS310A	D-Handle	CS110-H
Power Cables		Braided	
		12.5' (3.8m)	25' (7.6m)
Power Cable	CS310-12PC	CS310-25PC	CS310-50PC
Water Hose	CS310-12W	CS310-25W	CS310-50W
Gas Hose	CS310-12G	CS310-25G	

#AK4C Accessory Kit

Includes one long back cap, three collets (one collet per size: 1/16, 3/32, 1/8), three collet bodies (one collet body per size: 1/16, 3/32, 1/8), three alumina nozzles (one nozzle per size: 5, 6, 7), and three 7-inch 2% ceriated tungsten electrodes (one electrode per size: 1/16, 3/32, 1/8).



Cable Covers

- #WC-3-10 10 ft (3 m)
- #WC-3-22 22 ft (6.7 m)
- #WC-3-48 48 ft (14.6 m)

Extension Kit

- #EK-1-25-R 25 ft (7.6 m), Rubber



Weldcraft® W-350 Series

Hand-Held Water-Cooled
Formerly WP-18 Series



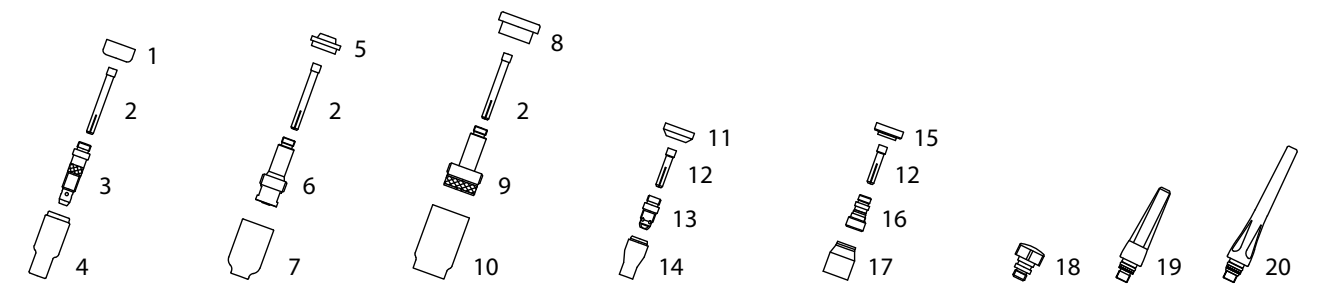
W-350
(WP-18)

Additional Torch Models



W-350 Valve
(WP-18V)

Note: Torches delivered may vary slightly from images shown.



Consumables

Non-Gas Lens

Electrode Size - inch (mm)	.020 (0.5)	.040 (1.0)	1/16 (1.6)	3/32 (2.4)	1/8 (3.2)			
1 Insulator (required)	18CG	18CG	18CG	18CG	18CG			
2 Collet	10N21	10N22	10N23	10N24	10N25			
3 Collet Body	10N29	10N30	10N31	10N32	10N33			
Nozzle Size - size # (inch)	4 (1/4)	5 (5/16)	6 (3/8)	7 (7/16)	8 (1/2)	10 (5/8)	12 (3/4)	Short
4 Alumina	10N50	10N49	10N48	10N47	10N46	10N45	10N44	—
* Long Alumina	—	10N49L	10N48L	10N47L	—	—	—	—
* Lava	105Z43	105Z42	105Z44	105Z45	08N78	08N79	08N80	—
* Long Lava	12N03	105Z60	12N02	105Z61	—	—	—	—

Gas Lens

Electrode Size - inch (mm)	.020 (0.5)	.040 (1.0)	1/16 (1.6)	3/32 (2.4)	1/8 (3.2)			
5 Insulator (required)	54N01	54N01	54N01	54N01	54N01			
2 Collet	10N21	10N22	10N23	10N24	10N25			
6 Gas Lens	45V29	45V24	45V25	45V26	45V27			
Nozzle Size - size # (inch)	4 (1/4)	5 (5/16)	6 (3/8)	7 (7/16)	8 (1/2)	10 (5/8)	12 (3/4)	Short
7 Alumina Gas Lens	54N18	54N17	54N16	54N15	54N14	—	—	54N19
* Long Gas Lens	—	54N17L	54N16L	54N15	—	—	—	—

Large Diameter Gas Lens

Electrode Size - inch (mm)	.020 (0.5)	.040 (1.0)	1/16 (1.6)	3/32 (2.4)	1/8 (3.2)			
8 Insulator (required)	54N63	54N63	54N63	54N63	54N63			
2 Collet	10N21	10N22	10N23	10N24	10N25			
9 Large Diameter Gas Lens	45V0204	45V0204	45V116	45V64	995795			
Nozzle Size - size # (inch)	4 (1/4)	5 (5/16)	6 (3/8)	7 (7/16)	8 (1/2)	10 (5/8)	12 (3/4)	Short
10 Large Dia. Gas Lens	—	—	57N 75	—	57N74	53N88	53N87	53N89
* Large Dia. Gas Lens-L	—	—	57N75L	—	57N74L	53N88L	53N87L	—
* Large Dia. Gas Lens-XL	—	—	57N75XL	—	57N74XL	53N88XL	53N87XL	—
* Large Dia. Gas Lens-XXL	—	—	57N75XXL	—	57N74XXL	53N88XXL	53N87XXL	—

Stubby Non-Gas Lens

Electrode Size - inch (mm)	.020 (0.5)	.040 (1.0)	1/16 (1.6)	3/32 (2.4)	1/8 (3.2)			
11 Insulator (required)	18CG20	18CG20	18CG20	18CG20	18CG20			
12 Stubby Collet	—	10N22S	10N23S	10N24S	10N25S			
13 Stubby Body Collet	17CB20	17CB20	17CB20	17CB20	17CB20			
Nozzle Size - size # (inch)	4 (1/4)	5 (5/16)	6 (3/8)	7 (7/16)	8 (1/2)	10 (5/8)	12 (3/4)	Short
14 Stubby Alumina	13N08	13N09	13N10	13N11	13N12	13N13	—	—

Stubby Gas Lens

Electrode Size - inch (mm)	.020 (0.5)	.040 (1.0)	1/16 (1.6)	3/32 (2.4)	1/8 (3.2)			
15 Insulator (required)	17GLG20	17GLG20	17GLG20	17GLG20	17GLG20			
12 Stubby Collet	—	10N22S	10N23S	10N24S	10N25S			
16 Stubby Gas Lens	—	17GL040	17GL118	17GL332	17GL18			
Nozzle Size - size # (inch)	4 (1/4)	5 (5/16)	6 (3/8)	7 (7/16)	8 (1/2)	10 (5/8)	12 (3/4)	Short
17 Alumina Gas Lens	53N58	53N59	53N60	53N61	53N61S	—	—	—

Back Caps

18 Short 57Y04	19 Medium 300M	20 Long 57Y02
----------------	----------------	---------------

*Not shown.

Models		Rubber		Vinyl	
Old Model	New Name	12.5 ft (3.8 m)	25 ft (7.6 m)	12.5 ft (3.8 m)	25 ft (7.6 m)
WP-18	W-350	WP-18-12-R	WP-18-25-R	WP-18-12	WP-18-25
WP-18V	W-350 Valve	—	WP-18V-25-R	—	WP-18V-25

V= Valve
Torch packages include torch body, handle, power cable, long back cap, gas hose and water hose.

#AK2C Accessory Kit

Includes one short back cap, three collets (one collet per size: 1/16, 3/32, 1/8), three collet bodies (one collet body per size: 1/16, 3/32, 1/8), three alumina nozzles (one nozzle per size: 5, 6, 7), and three 7-inch 2% ceriated tungsten electrodes (one electrode per size: 1/16, 3/32, 1/8).



Cable Covers

- #WC-3-10 10 ft (3 m)
- #WC-3-22 22 ft (6.7 m)



Extension Kit

- #EK-1-25-R 25 ft (7.6 m), Rubber

Torch Bodies		Valves	Handles	
W-350	WP-18	—	Ribbed	H-200
W-350 Valve	WP-18V	VS-1	Knurled	H-200R

Power Cables	Vinyl		Rubber (PC)	Braided (G&W)
	12.5 ft (3.8 m)	25 ft (7.6 m)	12.5 ft (3.8 m)	25 ft (7.6 m)
Power Cable	40V64	41V29	40V64R	41V29R
Water Hose	40V74	41V32	40V74R	41V32R
Gas Hose	40V75	41V30	40V75R18	41V30R18

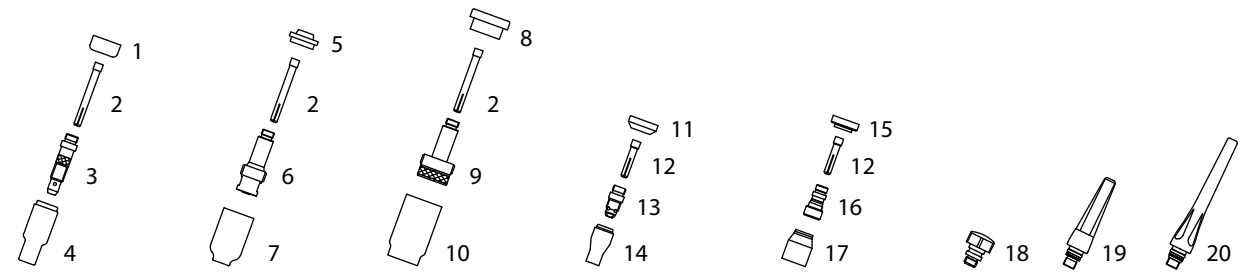


Weldcraft® W-410 Series Hand-Held Water-Cooled

Formerly CS410 Service Parts/Consumables



W-410
(CS410A)



Consumables

Non-Gas Lens

Electrode Size - inch (mm)	.020 (0.5)	.040 (1.0)	1/16 (1.6)	3/32 (2.4)	1/8 (3.2)			
1 Insulator (required)	18CG	18CG	18CG	18CG	18CG			
2 Collet	10N21	10N22	10N23	10N24	10N25			
3 Collet Body	10N29	10N30	10N31	10N32	10N33			
Nozzle Size - size # (inch)	4 (1/4)	5 (5/16)	6 (3/8)	7 (7/16)	8 (1/2)	10 (5/8)	12 (3/4)	Short
4 Alumina	10N50	10N49	10N48	10N47	10N46	10N45	10N44	—
* Long Alumina	—	10N49L	10N48L	10N47L	—	—	—	—
* Lava	105Z43	105Z42	105Z44	105Z45	08N78	08N79	08N80	—
* Long Lava	12N03	105Z60	12N02	105Z61	—	—	—	—

Gas Lens

Electrode Size - inch (mm)	.020 (0.5)	.040 (1.0)	1/16 (1.6)	3/32 (2.4)	1/8 (3.2)			
5 Insulator (required)	54N01	54N01	54N01	54N01	54N01			
2 Collet	10N21	10N22	10N23	10N24	10N25			
6 Gas Lens	45V29	45V24	45V25	45V26	45V27			
Nozzle Size - size # (inch)	4 (1/4)	5 (5/16)	6 (3/8)	7 (7/16)	8 (1/2)	10 (5/8)	12 (3/4)	Short
7 Alumina Gas Lens	54N18	54N17	54N16	54N15	54N14	—	—	54N19
* Long Gas Lens	—	54N17L	54N16L	54N15	—	—	—	—

Large Diameter Gas Lens

Electrode Size - inch (mm)	.020 (0.5)	.040 (1.0)	1/16 (1.6)	3/32 (2.4)	1/8 (3.2)			
8 Insulator (required)	54N63	54N63	54N63	54N63	54N63			
2 Collet	10N21	10N22	10N23	10N24	10N25			
9 Large Diameter Gas Lens	45V0204	45V0204	45V116	45V64	995795			
Nozzle Size - size # (inch)	4 (1/4)	5 (5/16)	6 (3/8)	7 (7/16)	8 (1/2)	10 (5/8)	12 (3/4)	Short
10 Large Dia. Gas Lens	—	—	57N 75	—	57N74	53N88	53N87	53N89
* Large Dia. Gas Lens-L	—	—	57N75L	—	57N74L	53N88L	53N87L	—
* Large Dia. Gas Lens-XL	—	—	57N75XL	—	57N74XL	53N88XL	53N87XL	—
* Large Dia. Gas Lens-XXL	—	—	57N75XXL	—	57N74XXL	53N88XXL	53N87XXL	—

Stubby Non-Gas Lens

Electrode Size - inch (mm)	.020 (0.5)	.040 (1.0)	1/16 (1.6)	3/32 (2.4)	1/8 (3.2)			
11 Insulator (required)	18CG20	18CG20	18CG20	18CG20	18CG20			
12 Stubby Collet	—	10N22S	10N23S	10N24S	10N25S			
13 Stubby Body Collet	17CB20	17CB20	17CB20	17CB20	17CB20			
Nozzle Size - size # (inch)	4 (1/4)	5 (5/16)	6 (3/8)	7 (7/16)	8 (1/2)	10 (5/8)	12 (3/4)	Short
14 Stubby Alumina	13N08	13N09	13N10	13N11	13N12	13N13	—	—

Stubby Gas Lens

Electrode Size - inch (mm)	.020 (0.5)	.040 (1.0)	1/16 (1.6)	3/32 (2.4)	1/8 (3.2)			
15 Insulator (required)	17GLG20	17GLG20	17GLG20	17GLG20	17GLG20			
12 Stubby Collet	—	10N22S	10N23S	10N24S	10N25S			
16 Stubby Gas Lens	—	17GL040	17GL118	17GL332	17GL18			
Nozzle Size - size # (inch)	4 (1/4)	5 (5/16)	6 (3/8)	7 (7/16)	8 (1/2)	10 (5/8)	12 (3/4)	Short
17 Alumina Gas Lens	53N58	53N59	53N60	53N61	53N61S	—	—	—

Back Caps

18 Short 57Y04	19 Medium 300M	20 Long 57Y02
----------------	----------------	---------------

*Not shown.

Models		Braided Rubber
Old Model	New Name	25 ft (7.6 m)
CS410A	W-410	CS410-25

Torch packages include torch body, handle, power cable, long back cap, gas hose, water hose and cable cover.

#AK4C Accessory Kit

Includes one long back cap, three collets (one collet per size: 1/16, 3/32, 1/8), three collet bodies (one collet body per size: 1/16, 3/32, 1/8), three alumina nozzles (one nozzle per size: 5, 6, 7), and three 7-inch 2% ceriated tungsten electrodes (one electrode per size: 1/16, 3/32, 1/8).



Cable Covers

#WC-3-10 10 ft (3 m)
#WC-3-22 22 ft (6.7 m)

Torch Bodies		Handles	
W-410	CS410A	D-Handle	CS210-H
Power Cables			
Braided			
	12.5 ft (3.8 m)	25 ft (7.6 m)	
Power Cable	CS410-12PC	CS410-25PC	
Water Hose	CS410-12W	CS410-25W	
Gas Hose	CS410-12G	CS410-25G	



Weldcraft® Modular Series Hand-Held TIG Service Parts/Consumables

Type
Water-Cooled

Rated Output
DC: 225 A, AC: 160 A

Duty Cycle
100%

Electrode Range
.020-5/32 in (0.5-4.0 mm)



W-225 Modular (WP-225)

Models		Braided Rubber		Vinyl
Old Model	New Name	12.5 ft (3.8 m)	25 ft (7.6 m)	25 ft (7.6 m)
WP-225	W-225 Modular	WP-225-12-R	WP-225-25-R	WP-225-25

Torch packages include torch body, handle, power cable, gas hose, water hose and 1726 and 9-70 torch heads.

Torch Heads



Torch Head	Angle	Electrode Range	A-150 Modular* Amp Rating		A-200 Modular* Amp Rating		W-225 Modular* Amp Rating	
			DC	AC	DC	AC	DC	AC
24	70°	.020-3/32 in. (0.5-2.4 mm)	80	50	80	50	160	115
24-90	90°	.020-3/32 in. (0.5-2.4 mm)	80	50	80	50	160	115
9-70	70°	.020-1/8 in. (0.5-3.2 mm)	125	100	125	100	200	140
9-90	90°	.020-1/8 in. (0.5-3.2 mm)	125	100	125	100	200	140
9P	180°	.020-1/8 in. (0.5-3.2 mm)	125	100	125	100	200	140
1726	70°	.020-5/32 in. (0.5-4.0 mm)	150	115	200	140	225	160
1726P	180°	.020-5/32 in. (0.5-4.0 mm)	150	115	200	140	225	160

* 60% Duty Cycle
** 100% Duty Cycle

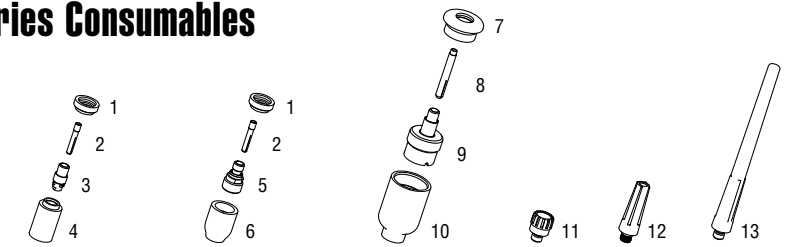


#AK-225MFC Accessory Kit
Supplements W-225 (WP-225) modular torch packages. Includes 5 additional torch heads, collet, collet bodies, nozzles, handle and more.



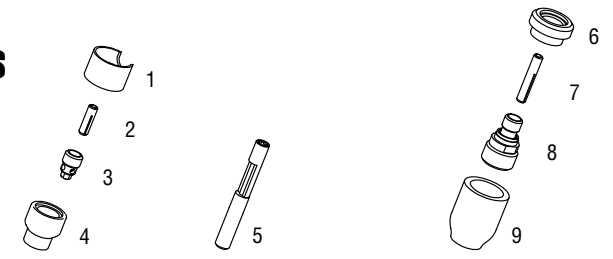
Cable Covers
#WC-3-10 10 ft (3 m)
#WC-3-22 22 ft (6.7 m)

9-70, 9-90 and 9P Modular Series Consumables



Non-Gas Lens											
Electrode Size - inch (mm)	.020 (0.5)		.040 (1.0)		1/16 (1.6)		3/32 (2.4)		1/8 (3.2)		
1 Insulator (required)	9-4		9-4		9-4		9-4		9-4		
2 Collet	13N20		13N21		13N22		13N23		13N24		
3 Collet Body	13N25		13N26		13N27		13N28		13N29		
Nozzle Size - size # (inch)	3 (3/16)	4 (1/4)	5 (5/16)	6 (3/8)	7 (7/16)	8 (1/2)	10 (5/8)	12 (3/4)	Short		
4 Alumina	—		13N08	13N09	13N10	13N11	10N46	10N45	—		
* Lava	—		13N14	13N15	13N16	13N17	13N18	13N19	—		
* Long Lava	796F70		796F71	796F72	796F73	—		—			
* X-Long Lava	796F74		796F75	796F76	796F77	—		—			
Gas Lens											
Electrode Size - inch (mm)	.020 (0.5)		.040 (1.0)		1/16 (1.6)		3/32 (2.4)		1/8 (3.2)		
1 Insulator (required)	9-4		9-4		9-4		9-4		9-4		
2 Collet	13N20		13N21		13N22		13N23		13N24		
5 Gas Lens	45V41		45V42		45V43		45V44		45V45		
Nozzle Size - size # (inch)	3 (3/16)	4 (1/4)	5 (5/16)	6 (3/8)	7 (7/16)	8 (1/2)	10 (5/8)	12 (3/4)	Short		
6 Alumina Gas Lens	—		53N58	53N59	53N60	53N61	53N61S	—			
Large Diameter Gas Lens											
Electrode Size - inch (mm)	.020 (0.5)		.040 (1.0)		1/16 (1.6)		3/32 (2.4)		1/8 (3.2)		
7 Insulator (required)	54N63-20		54N63-20		54N63-20		54N63-20		54N63-20		
8 Collet	13N20L		13N21L		13N22L		13N23L		13N24L		
9 Large Diameter Gas Lens	45V0204S		45V0204S		45V116S		45V64S		995795S		
Nozzle Size - size # (inch)	3 (3/16)	4 (1/4)	5 (5/16)	6 (3/8)	7 (7/16)	8 (1/2)	10 (5/8)	12 (3/4)	Short		
10 Large Dia. Gas Lens	—		—		57N75	—		57N74	53N88	53N87	53N89
* Large Dia. Gas Lens-L	—		—		57N75L	—		57N74L	53N88L	53N87L	—
* Large Dia. Gas Lens-XL	—		—		57N75XL	—		57N74XL	53N88XL	53N87XL	—
* Large Dia. Gas Lens-XXL	—		—		57N75XXL	—		57N74XXL	53N88XXL	53N87XXL	—
Back Caps											
11 Short 41V33	12 Medium 41V35				13 Long 41V24						

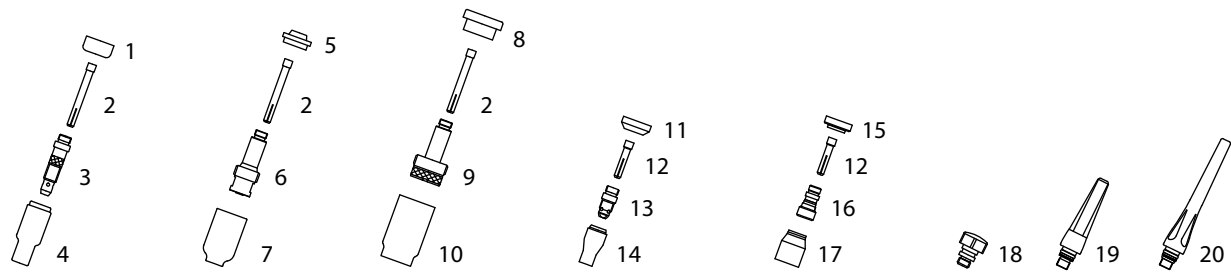
24 and 24-90 Modular Series Consumables



Non-Gas Lens					
Electrode Size - inch (mm)	.020 (0.5)		.040 (1.0)		3/32 (2.4)
1 Insulator (required)	53N22		53N22		53N22
2 Collet	53N15		53N16		53N14
3 Collet Body	53N17		53N18		53N19
24CB332	53N17		53N18		53N19
Nozzle Size - size # (inch)	.165		4 (1/4)		5 (5/16)
4 Alumina	—		A53N24		A53N25
* Lava	53N23		53N24		53N25
* Long Lava	—		53N28		—
53N26	—		53N28		—
Collet Body Wrench					
5 53N20	—				
Gas Lens					
Electrode Size - inch (mm)	.020 (0.5)		.040 (1.0)		3/32 (2.4)
6 Insulator (required)	53N66		53N66		53N66
7 Collet	53N62		53N63		53N64
8 Gas Lens	45V41		45V42		45V43
45V44	45V41		45V42		45V43
Nozzle Size - size # (inch)	4 (1/4)		5 (5/16)		6 (3/8)
9 Alumina Gas Lens	53N58		53N59		53N60
53N61	—		53N61		53N61S

*Not shown.

1726 and 1726P Modular Series Consumables



Non-Gas Lens

Electrode Size - inch (mm)	.020 (0.5)	.040 (1.0)	1/16 (1.6)	3/32 (2.4)	1/8 (3.2)			
1 Insulator (required)	18CG	18CG	18CG	18CG	18CG			
2 Collet	10N21	10N22	10N23	10N24	10N25			
3 Collet Body	10N29	10N30	10N31	10N32	10N33			
Nozzle Size - size # (inch)	4 (1/4)	5 (5/16)	6 (3/8)	7 (7/16)	8 (1/2)	10 (5/8)	12 (3/4)	Short
4 Alumina	10N50	10N49	10N48	10N47	10N46	10N45	10N44	—
* Long Alumina	—	10N49L	10N48L	10N47L	—	—	—	—
* Lava	105Z43	105Z42	105Z44	105Z45	08N78	08N79	08N80	—
* Long Lava	12N03	105Z60	12N02	105Z61	—	—	—	—

Gas Lens

Electrode Size - inch (mm)	.020 (0.5)	.040 (1.0)	1/16 (1.6)	3/32 (2.4)	1/8 (3.2)			
5 Insulator (required)	54N01	54N01	54N01	54N01	54N01			
2 Collet	10N21	10N22	10N23	10N24	10N25			
6 Gas Lens	45V29	45V24	45V25	45V26	45V27			
Nozzle Size - size # (inch)	4 (1/4)	5 (5/16)	6 (3/8)	7 (7/16)	8 (1/2)	10 (5/8)	12 (3/4)	Short
7 Alumina Gas Lens	54N18	54N17	54N16	54N15	54N14	—	—	54N19
* Long Gas Lens	—	54N17L	54N16L	54N15	—	—	—	—

Large Diameter Gas Lens

Electrode Size - inch (mm)	.020 (0.5)	.040 (1.0)	1/16 (1.6)	3/32 (2.4)	1/8 (3.2)			
8 Insulator (required)	54N63	54N63	54N63	54N63	54N63			
2 Collet	10N21	10N22	10N23	10N24	10N25			
9 Large Diameter Gas Lens	45V0204	45V0204	45V116	45V64	995795			
Nozzle Size - size # (inch)	4 (1/4)	5 (5/16)	6 (3/8)	7 (7/16)	8 (1/2)	10 (5/8)	12 (3/4)	Short
10 Large Dia. Gas Lens	—	—	57N75	—	57N74	53N88	53N87	53N89
* Large Dia. Gas Lens-L	—	—	57N75L	—	57N74L	53N88L	53N87L	—
* Large Dia. Gas Lens-XL	—	—	57N75XL	—	57N74XL	53N88XL	53N87XL	—
* Large Dia. Gas Lens-XXL	—	—	57N75XXL	—	57N74XXL	53N88XXL	53N87XXL	—

Stubby Non-Gas Lens

Electrode Size - inch (mm)	.020 (0.5)	.040 (1.0)	1/16 (1.6)	3/32 (2.4)	1/8 (3.2)			
11 Insulator (required)	18CG20	18CG20	18CG20	18CG20	18CG20			
12 Stubby Collet	—	10N22S	10N23S	10N24S	10N25S			
13 Stubby Body Collet	17CB20	17CB20	17CB20	17CB20	17CB20			
Nozzle Size - size # (inch)	4 (1/4)	5 (5/16)	6 (3/8)	7 (7/16)	8 (1/2)	10 (5/8)	12 (3/4)	Short
14 Stubby Alumina	13N08	13N09	13N10	13N11	13N12	13N13	—	—

Stubby Gas Lens

Electrode Size - inch (mm)	.020 (0.5)	.040 (1.0)	1/16 (1.6)	3/32 (2.4)	1/8 (3.2)			
15 Insulator (required)	17GLG20	17GLG20	17GLG20	17GLG20	17GLG20			
12 Stubby Collet	—	10N22S	10N23S	10N24S	10N25S			
16 Stubby Gas Lens	—	17GL040	17GL118	17GL332	17GL18			
Nozzle Size - size # (inch)	4 (1/4)	5 (5/16)	6 (3/8)	7 (7/16)	8 (1/2)	10 (5/8)	12 (3/4)	Short
17 Alumina Gas Lens	53N58	53N59	53N60	53N61	53N61S	—	—	—

Back Caps

18 Short 57Y04	19 Medium 300M	20 Long 57Y02
----------------	----------------	---------------

*Not shown.

ITW Dykem® Paint Markers

Dykem® Brite-Mark® is a general purpose permanent marker ideal for making clear, bold markings on almost any surface (i.e. metal, rubber, plastic, glass, concrete, leather, stone, wood, vinyl, and more). Its quick drying, oil-based paint withstands indoor and outdoor conditions without fading, chipping, or losing its opacity. Dykem Brite-Mark can be used to permanently identify inventory, assemblies, tools, finished products, or work-in-progress while resisting most work related abuses or compounds.

Part #	Tip	Description	Package Quantity
84 001	Fiber/Bullet	12.0 cc Blue, Dykem® Brite-Mark®	12
84 002	Fiber/Bullet	12.0 cc Black, Dykem® Brite-Mark®	12
84 003	Fiber/Bullet	12.0 cc White, Dykem® Brite-Mark®	12
84 004	Fiber/Bullet	12.0 cc Yellow, Dykem® Brite-Mark®	12
84 005	Fiber/Bullet	12.0 cc Orange, Dykem® Brite-Mark®	12
84 006	Fiber/Bullet	12.0 cc Red, Dykem® Brite-Mark®	12
84 007	Fiber/Bullet	12.0 cc Green, Dykem® Brite-Mark®	12

Dykem® TexPen® is one of the most rugged markers you'll ever use. It can easily write through oil, grease, and even underwater. The Dykem TexPen features a stainless-steel ball tip so you'll never have to worry about the tip wearing out before the paint is gone, even if you're writing on rough concrete or rusty metal. The thick, bold paint markings withstand extreme weather conditions without losing legibility or brightness.

Part #	Tip	Description	Package Quantity
16063	#3, Medium 3/32 in	26.4 cc Yellow, Dykem® TexPen®	12



Brite-Mark® (Fiber/Bullet)



TexPen® (#3, Medium)

For products not listed in this catalog, please call ITW DYKEM® at 1-800-443-9536.

Paint Original Equipment Color Matched

Part #	Description
098 205	12 oz. Spray Can, (new) Miller Blue Enamel

From showroom touch-ups to complete machine repaints, depend on Miller O.E.M. color-matched paints to give you and your customers professional results. Available in air-dry aerosols.



SCRUBS® Waterless Hand Cleaner Towels

Part #	Dimensions	Quantity	Case Quantity
202 239	10-1/2 x 12-1/4 in	72 towel canister	6 canisters per case
208 470	8 x 12-1/4 in	100 single-pack dispenser	—

They're the original patented one-step hand cleaner towels in-a-bucket. SCRUBS® combine the scrubbing power of pumice with powerful yet safe cleaning agents into an absorbent, non-scratching abrasive hand-cleaning towel. Fast and easy, no rinsing, no drying, leaves hands clean and protected, germ-free with a pleasant fragrance and no residue.



#208 470

#202 239

Welpers® Multipurpose MIG Tool

Part #	Size	Description	Part #	Size	Description
YS50	8-1/2 in	Original full size model	YS20 (N/A)	7 in	Mini-welper

The original patented multipurpose MIG tool that does it all. Welpers® perform eight different tasks saving time and increasing productivity! It's a must have tool for every welder, now available in the smaller more convenient YS20 version, ideal for the growing population of light-duty 150 amp and below MIG welding guns.



#YS50

4-Pin Amp Plastic Connectors



Panel-Mounted Male
#048 283 Kit (consists of)
#081 905 Receptacle
#079 535 Pins (Qty 5)

Cord-Mounted Female
#048 284 Kit (consists of)
#081 906 Connector
#079 534 Sockets (Qty 5)

Cord-Mounted Male
#046 958 Kit (consists of)
#046 080 Connector
#079 535 Pins (Qty 5)

Note: Strain relief clamp #079 531 needs to be ordered separately with cord-mounted connections.



Panel-Mounted Female
#048 282 Kit (consists of)
#081 560 Receptacle
#079 534 Sockets (Qty 5)

Cord-Mounted Male
#079 878 Kit (consists of)
#079 532 Connector
#079 535 Pins (Qty 5)

Cord-Mounted Female
#080 328 Kit (consists of)
#079 533 Connector
#079 534 Sockets (Qty 5)

Note: Strain relief clamp #079 531 needs to be ordered separately with cord-mounted connections.

4-Pin Amphenol Metal Connectors



Panel-Mounted Male
#076 624 (N/A)

Cord-Mounted Female
#073 686

Cord-Mounted Male
#073 688 (N/A)

Note: Pins are the solderable type and are pre-inserted into the receptacle.
Strain relief clamp #039 828 needs to be ordered separately w/cord-mounted connections

5-Pin Amphenol Metal Connectors



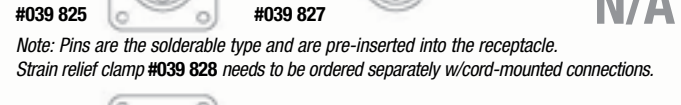
Panel-Mounted Female
#035 523

Cord-Mounted Male
#039 273

Cord-Mounted Female
#052 654

Note: Pins are the solderable type and are pre-inserted into the receptacle.
Strain relief clamp #039 685 needs to be ordered separately w/cord-mounted connections.

6-Pin Amphenol Metal Connectors



Panel-Mounted Female
#039 825

Cord-Mounted Male
#039 827

Cord-Mounted Female N/A

Note: Pins are the solderable type and are pre-inserted into the receptacle.
Strain relief clamp #039 828 needs to be ordered separately w/cord-mounted connections.



Panel-Mounted Female
#235 429

Cord-Mounted Male
#217 796

Cord-Mounted Female N/A

Note: For Maxstar 140 and 150's.

10-Pin Amphenol Metal Connectors



Panel-Mounted Female
#039 718

Cord-Mounted Male
#039 716

Cord-Mounted Female
#091 380 (N/A)



Panel-Mounted Female
#139 268

Cord-Mounted Male
#146 212

Cord-Mounted Female
#146 213

Note: Pins are the solderable type and are pre-inserted into the receptacle.
Strain relief clamp #073 332 needs to be ordered separately w/cord-mounted connections.

10-Pin Amp Plastic Connectors



Panel-Mounted Female
#221 777 Kit (consists of)
#189 238 Receptacle
#134 733 (N/A) Sockets (Qty 10)

Cord-Mounted Male
#217 292 Kit (consists of)
#190 294 Connector
#134 731 Pins (Qty 10)
#134 732 Pins (Qty 10)
#079 739 Clamp
#143 922 Clamp

Cord-Mounted Female
#222 857 Kit (consists of)
#207 194 Connector
#079 534 Sockets (Qty 10)
#141 685 Sockets (Qty 10)
#079 739 Clamp
#143 922 Clamp

11-Pin Amphenol Metal Connectors



Panel-Mounted Female
#073 515 (N/A)

Cord-Mounted Male
#073 517 (N/A)

Cord-Mounted Female
#073 516 (N/A)

Note: Pins are the solderable type and are pre-inserted into the receptacle.
Strain relief clamp #039 734 needs to be ordered separately w/cord-mounted connections.

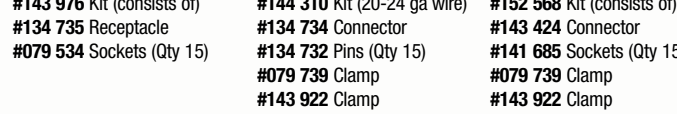
14-Pin Amphenol Plastic Connectors (Size 20)



Panel-Mounted Female
#143 976 Kit (consists of)
#134 735 Receptacle
#079 534 Sockets (Qty 15)

Cord-Mounted Male
#141 162 Kit (14-18 ga wire)
#134 734 Connector
#134 731 Pins (Qty 15)
#079 739 Clamp
#143 922 Clamp

Cord-Mounted Female
#152 369 Kit (consists of)
#143 424 Connector
#079 534 Sockets (Qty 15)
#079 739 Clamp
#143 922 Clamp



Panel-Mounted Female
#143 976 Kit (consists of)
#134 735 Receptacle
#079 534 Sockets (Qty 15)

Cord-Mounted Male
#144 310 Kit (20-24 ga wire)
#134 734 Connector
#134 732 Pins (Qty 15)
#079 739 Clamp
#143 922 Clamp

Cord-Mounted Female
#152 568 Kit (consists of)
#143 424 Connector
#141 685 Sockets (Qty 15)
#079 739 Clamp
#143 922 Clamp

14-Pin Amphenol Plastic Connectors (Size 17)



Panel-Mounted Female
#047 637 Kit (consists of)
#048 286 Receptacle
#079 534 Sockets (Qty 15)

Cord-Mounted Male
#047 636 Kit (consists of)
#048 287 Connector
#079 535 Pins (Qty 15)

Cord-Mounted Female
#071 892 Kit (consists of)
#045 349 Connector
#079 534 Sockets (Qty 15)

Note: Strain relief clamp #079 739 needs to be ordered separately with cord-mounted connections.

14-Pin Amphenol Metal Connectors



Panel-Mounted Female
#086 022 Receptacle

Cord-Mounted Male
#136 961 Kit (consists of)
#094 481 Connector
#116 964 Clamp

Cord-Mounted Female
#136 960 Kit (consists of)
#137 301 Connector
#116 964 Clamp

Note: Pins are the solderable type and are pre-inserted into the receptacle.

17-Pin Amphenol Metal Connectors



Panel-Mounted Female
#097 869 (N/A)

Cord-Mounted Male
#097 866

Note: Pins are the solderable type and are pre-inserted into the receptacle.
Strain relief clamp #073 296 needs to be ordered separately w/cord-mounted connections.

28-Pin Amphenol Plastic Connector (Size-17)



Panel-Mounted Female
#218 715

Connector Bodies, Plugs and Receptacles

15A, 125V Panel-Mounted Female #604 176					
15A, 125V Cord-Mounted Male #073 690	15A, 125V Cord-Mounted Female #124 150	15A, 125V Panel-Mounted Female #032 897	20A, 125V Cord-Mounted Male #605 797	20A, 125V Cord-Mounted Female #080 280	
15A, 250V Panel-Mounted Female #604 103					
15A, 250V Cord-Mounted Male #025 234	15A, 250V Cord-Mounted Female #603 029 (N/A)	20A, 250V Panel-Mounted Female #039 607	50A, 125/250V Cord-Mounted Male #119 172		
20A, 250V Panel-Mounted Male #141 840	20A, 250V Cord-Mounted Female #039 635	20A, 250V Cord-Mounted Male #039 618	50A, 125/250V Flanged-Mounted Female #164 704 #117 512 (N/A)	50A, 125/250V Cord-Mounted Female #182 954	

20A, 250V Panel-Mounted Female #039 602	20A, 250V Cord-Mounted Male #039 618	20A, 250V Cord-Mounted Female #039 635
15A Panel-Mounted Male #056 665	15A, 277V Cord-Mounted Male #039 687	15A, 277V Cord-Mounted Female #056 442
15A, 277V Panel-Mounted Female #039 686	15A, 250V Cord-Mounted Male #035 494	Cord-Mounted Female #035 492 (N/A)
15A, 125V Panel-Mounted Female #035 493 (N/A)	15A, 125V Cord-Mounted Male #032 898	Cord-Mounted Female #035 243 (N/A)

Cable Connectors

Cam-Lok Twistlock Receptacles/Connectors

Item #	Part #	Description	Color	Cable Capacity
Receptacles				
1	039 628	Receptacle, Insul. (Female)	Black	No. 2/0 – 3/0 (25 – 70 mm)
	039 638	Receptacle, Insul. (Female)	Black	No. 3/0 – 4/0 (70 – 95 mm)
2	056 271	Receptacle, Uninsul. (Male)	Black	—
Connectors				
3	039 633¹	Connector, Insul. Set Scr. (In-Line Female)	Red	No. 1/0 – 3/0 (50 – 70 mm)
4	039 629	Connector, Insul. Set Scr. (Male)	Red	No. 2 – 1/0 (35 – 50 mm)
	039 630	Connector, Insul. Set Scr. (Male)	Red	No. 1/0 – 3/0 (50 – 70 mm)
	039 639	Connector, Insul. Set Scr. (Male)	Red	No. 3/0 – 4/0 (70 – 95 mm)

¹For In-Line Connections, use with #039 629 or #039 630.

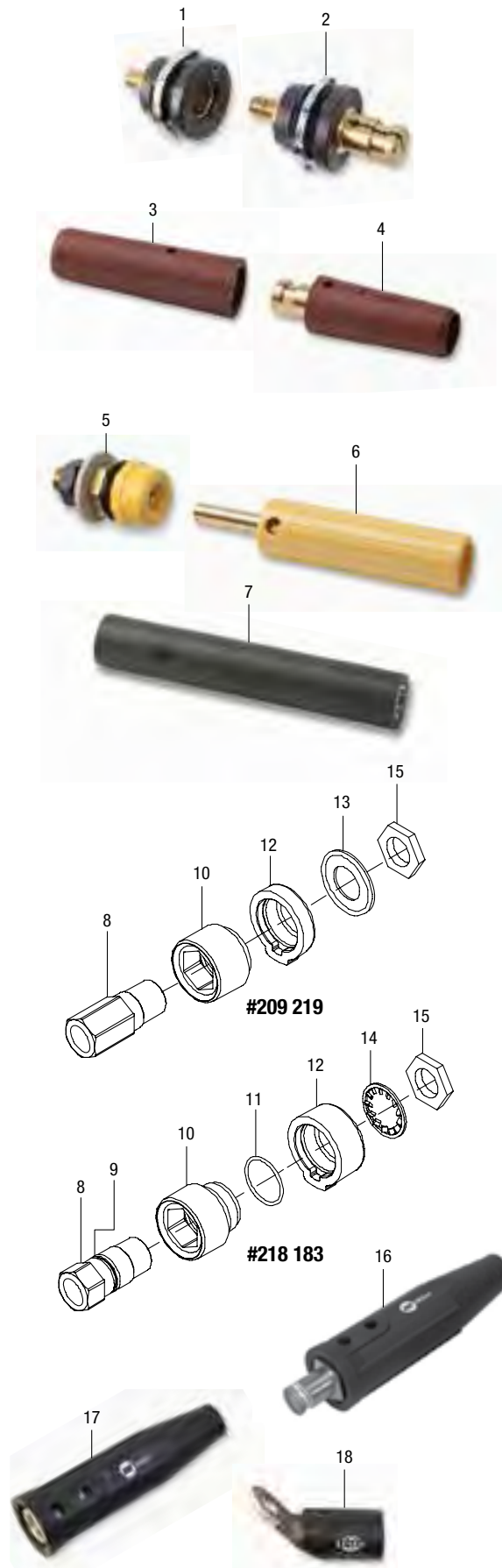
Miller Receptacles/Connectors

Item #	Part #	Description	Color	Cable Capacity
Receptacles				
5	039 801	Receptacle, Insulated (Female)	Black	—
	039 800	Receptacle, Insulated (Female)	Red	—
	057 608	Receptacle, Insulated (Female)	Yellow	—
Plugs				
6	039 901	Plug, Insulated (Male)	Black	No. 1 – 4
	039 608	Plug, Insulated (Male)	Red	No. 1 – 4
	039 878	Plug, Insulated (Male)	Yellow	No. 1 – 4
Connectors				
7	039 611²	Connector, Insulated (Female)	Black	No. 1 – 4

²For In-Line Connections (Quick-Connect).

Tweco-Style Twistlock Receptacles/Connectors

Item #	Part #	Part #	Description
Receptacles			
	209 219	218 183	Receptacle Assembly (Female)
8	208 431	209 473	Receptacle, Brass (Female)
9	—	186 228	O-Ring, 0.739 ID x 0.070 H
10	—	185 712	Insulator, bulkhead front
11	—	185 718	O-Ring, 0.989 ID x 0.070 H
12	—	185 713	Insulator, bulkhead rear
13	229 338	—	Washer, domed load .812 ID x 1.450 OD x .070 THK
14	—	185 714	Tooth washer, 1 mm intern
15	185 717	185 717	Nut, M20-1.5 1.00 Hex .19 H BRS locking
Connectors			
16	191 981	191 981	Connector, Insulated (Male), No. 4 – 1/0 - 2/0 (25 – 50 mm)
17	218 677	218 677	Connector, Insulated (Female), No. 4 – 1/0 - 2/0 (25 – 50 mm)
Adapters			
18	218 678	218 678	Adapter, Threaded Stud to Tweco (stud hole dia. 5/8 in)



Cable Connectors

Dinse™ Twistlock Receptacles (50/70 Series)

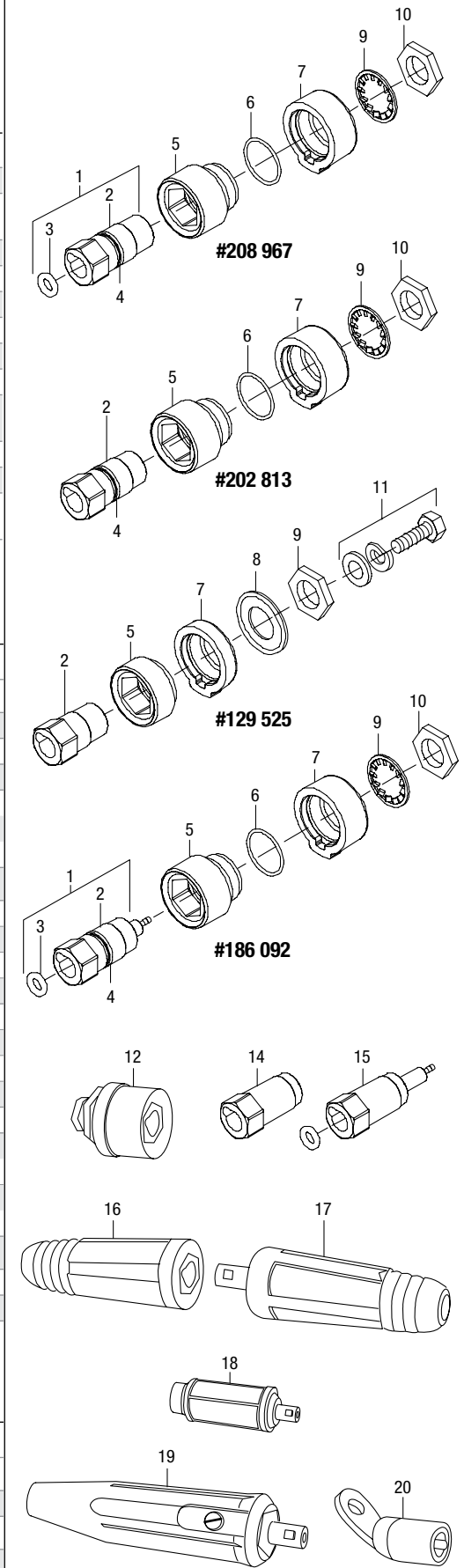
Item #	Part #	Part #	Part #	Part #	Description
	208 967	202 813	129 525	186 092	Receptacle Assembly (Female)
1	208 968 (N/A)	—	—	202 811	Receptacle, Brass with O-ring (Female) (consists of items 2 and 3)
2	185 711 (N/A)	202 553	210 752 (N/A)	202 554 (N/A)	Receptacle, Brass (Female)
3	185 710	—	—	185 710	O-Ring, 0.296 ID x 0.139 H Silicone
4	186 228	186 228	—	186 228	O-Ring, 0.739 ID x 0.070 H
5	185 712	185 712	208 760 (N/A)	185 712	Insulator, bulkhead front
6	185 718	185 718	—	185 718	O-Ring, 0.989 ID x 0.070 H
7	185 713	185 713	208 430 (N/A)	185 713	Insulator, bulkhead rear
8	—	—	229 338	—	Washer, domed load .812 ID x 1.450 OD x .070 THK
9	185 714	185 714	—	185 714	Tooth washer, 1 mm intern
10	185 717	185 717	185 717	185 717	Nut, M20-1.5 1.00 Hex .19 H BRS locking
11	—	—	229 333	—	Screw, M10-1.5x 20 Hex HD-PLN 8.8 PLD SEMS

Dinse™ Twistlock Receptacles/Connectors

Item #	Part #	Series	Description	Cable Capacity/Thread Size
Receptacles				
12	127 837	25	Receptacle, Insulated (Female)	—
13	143 419	50	Receptacle, Insulated (Male)	—
14	208 698	25	Receptacle, Brass Power Pos. (Female)	—
15	208 699	25	Receptacle, Brass Power/Gas Neg. (Female) with O-Ring #188 380 (.174 ID x .103 H)	—
Connectors				
16	127 835	25	Connector, Insulated (Female)	No. 3 – No. 4
	129 526	50	Connector, Insulated (Female)	No. 2 – 1/0 (35 – 50 mm)
	136 600	70	Connector, Insulated (Female)	No. 1/0 – 3/0 (50 – 70 mm)
	138 180	95	Connector, Insulated (Female)	No. 3/0 – 4/0 (70 – 95 mm)
17	127 836	25	Connector, Insulated (Male)	No. 3 – No. 4
	129 527	50	Connector, Insulated (Male)	No. 2 – 1/0 (35 – 50 mm)
	134 460	70	Connector, Insulated (Male)	No. 1/0 – 3/0 (50 – 70 mm)
	138 181	95	Connector, Insulated (Male)	No. 3/0 – 4/0 (70 – 95 mm)
18	195 234	25	Connector, Insulated (Male) Flow-Thru	3/8-24R
19	194 722	50	Connector, Insulated (Male) Flow-Thru 125/150 A	3/8-24R
	194 723	50	Connector, Insulated (Male) Flow-Thru 200 A	7/8-14R
Adapters				
20	232 728	50/70	Adapter, Threaded Stud to Dinse (stud hole dia. 1/2 in)	
21	145 739		Sleeve, clamping	

Maxstar 700/Dynasty 700 Connectors

Item #	Part #	Description
Connectors		
	225 029	Connection Kit, Thread Lock Double Dry
Adapters		
	225 028	Adapter, Torch-Thread Lock Water (7/8 LHT)



Electrode Holders

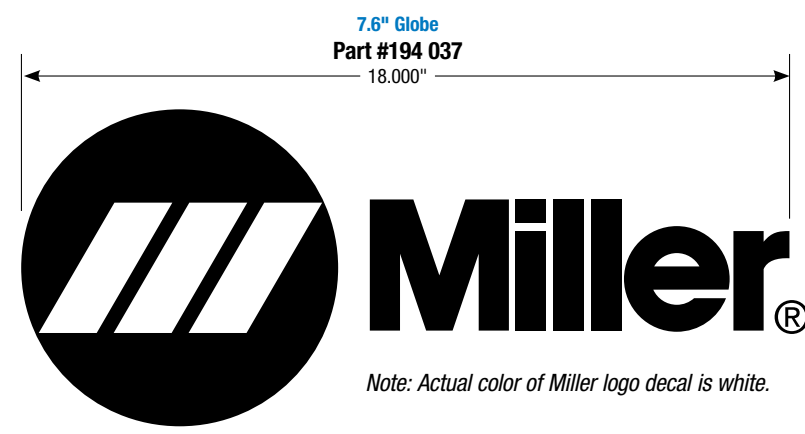
Part #	Amperage Capacity	Electrode Capacity	Cable Capacity	Length	Weight
Utility Series					
UT20	200	5/32" (4.0 mm)	No. 1/0 (50 mm)	8-1/2" (215 mm)	12 oz (340 g)
UT30	300	1/4" (6.4 mm)	No. 2/0 (70 mm)	9-1/4" (235 mm)	15 oz (435 g)
UT40	400	1/4" (6.4 mm)	No. 2/0 (70 mm)	10" (250 mm)	16 oz (450 g)
Professional Series					
PA532	200	5/32" (4.0 mm)	No. 2/0 (70 mm)	8-1/2" (215 mm)	15 oz (415 g)
PA316	250	3/16" (4.8 mm)	No. 2/0 (70 mm)	9-1/4" (235 mm)	16 oz (450 g)
PA732	300	7/32" (5.6 mm)	No. 2/0 (70 mm)	10" (250 mm)	19 oz (530 g)
PA14HD	400	1/4" (6.4 mm)	No. 4/0 (105 mm)	11" (280 mm)	23 oz (650 g)
010 368	200	1-1/2" (40 mm)	No. 4/0 (105 mm)	6" (152 mm)	5 oz (142 g)
233 452	300	2" (50 mm)	No. 4.2	8" (203 mm)	10 oz (290 g)
240 697	200	2" (50 mm)	No. 6	6-1/4" (159 mm)	6 oz (168 g)
203 988	180	1-1/2" (40 mm)	2" (25 mm)	7" (175 mm)	90 oz (255 g)
213 619	300	2" (50 mm)	No. 1/0 (50 mm)	8" (200 mm)	12 oz (340 g)

- Features include:**
- Ergonomic — High lever design for greater grip and hand clearance
 - Lightweight and easy-to-use
 - Fully insulated, high-strength springs for excellent gripping power
 - Heavy-duty, shock-proof nylon handle
 - Grooved jaw design insures firm electrode grip
 - High-impact, high-temperature fiberglass tip insulators
 - Professional series features high copper alloy tongs, utility series features brass tongs
 - Holders supplied with allen wrench and cable connections ferrule assuring efficient connections

Work Clamps

Part #	Amperage Capacity	Electrode Capacity*	Cable Capacity	Length	Weight
EG200	200	1-1/2" (40 mm)	No. 6-4 (10-16 mm)	7" (175 mm)	7 oz (199 g)
EG300	300	2" (50 mm)	No. 2-1 (25-35 mm)	8" (200 mm)	14 oz (390 g)
EG500	500	2" (50 mm)	No. 1/0-4/0 (50-105 mm)	10" (245 mm)	17 oz (490 g)
PGC200	200	1" (25 mm)	No. 1-1/0 (35-50 mm)	6" (150 mm)	16 oz (445 g)
PGC300	300	1-1/2" (40 mm)	No. 1/0-3/0 (50-95 mm)	8" (200 mm)	25 oz (715 g)
MGC300	300	—	No. 1-1/0 (35-50 mm)	—	21 oz (600 g)
203 988	180	1-1/2" (40 mm)	2" (25 mm)	7" (175 mm)	9 oz (255 g)
213 619	300	2" (50 mm)	1/0 (50 mm)	8" (200 mm)	13 oz (368 g)
010 368	200	1-1/2" (40 mm)	No. 4	6"	5 oz (142 g)
233 452	300	2" (50 mm)	No. 4-2	8"	10 oz (290 g)
240 697	200	2" (50 mm)	No. 6	6-1/4"	6 oz (168 g)

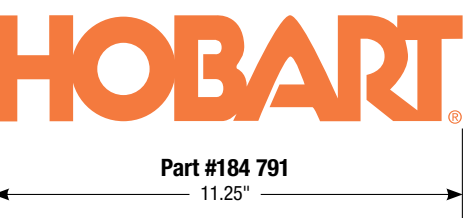
- *Jaw Distance*
- EG Series — Steel Work Clamps**
- Zinc plated
 - Large hex screw cable connection assures safe cable connection every time
 - Pure copper braided shunts on EG500 allows both jaws to carry welding current
- PGC Series — Copper Alloy**
- Contoured handle lever for easy jaw opening
 - Strong gripping power
 - Large contact area assures positive grounding
 - Fully insulated spring
 - Conductor body holds the cable securely
 - Large hex screw cable connection assures safe cable connection every time
- MGC Series — Magnetic Work Clamps**
- Large contact area assures excellent electrical contact
 - Strong gripping power
 - Grounding concealed to prevent dislodgment
 - Insulated to prevent annealing
 - Easy installation or removal
 - Most popular magnetic work clamps in the market



Miller/Hobart Replacement Labels

Part #	Description	Format	Height	Width	Color
124 462	Miller	Horizontal	1.625"	3.750"	White/Blue Bkgd
109 844	Miller	Horizontal	2.500"	6.000"	White/Blue Bkgd
115 496	Miller	Horizontal	3.500"	8.250"	White/Blue Bkgd
119 503	Miller	Horizontal	4.000"	9.562"	White/Blue Bkgd
121 389	Miller	Horizontal	5.250"	12.437"	White/Blue Bkgd
194 037	Miller	Horizontal	7.600"	18.000"	White/Blue Bkgd
109 838	Miller	Vertical	1.562"	1.312"	White/Blue Bkgd
109 839	Miller	Vertical	3.000"	2.500"	White/Blue Bkgd
109 840	Miller	Vertical	4.500"	3.750"	White/Blue Bkgd
109 841	Miller	Vertical	6.000"	5.125"	White
109 842	Miller	Vertical	7.750"	6.500"	White/Blue Bkgd
109 843	Miller	Vertical	9.500"	8.000"	White
184 791	Hobart	Horizontal	2.5"	11.250"	Orange

Nothing completes the repair and repaint of a machine like the addition of the original equipment factory fresh decals. Above is a complete list of the wide variety of sizes available in both the horizontal and vertical formats. For the availability of complete machine decal kits, please contact Miller Service Parts at 1-866-931-9730.



Power Terminals

Power Terminal Output Assemblies

Part #	Description	Color	Dimension A	Bolt Dimensions
Group 1				
039 047	With Hex Nut	Red	1-7/8"	1/2" x 1-1/2"
039 046	With Hex Nut	Black	1-7/8"	1/2" x 1-1/2"
099 255	With Hex Nut	White	1-7/8"	1/2" x 1-1/2"
181 245	With Hex Nut	Red	1-7/8"	1/2" x 1-3/4"
181 246	With Hex Nut	Black	1-7/8"	1/2" x 1-3/4"
601 879	Hex Nut — Replacement	—	—	—

Power Terminal Boots

Part #	Description	Width	Height
179 848	Rubber Boot (Positive) ¹	2" ID	3-3/4" ID
180 732	Rubber Boot (Negative) ¹	2" ID	3-3/4" ID
186 621	Rubber Boot (Generic) ¹	2" ID	3-3/4" ID
180 735	Washer, Output Stud		
181 169	Spacer, Output Stud		

¹#180 735 & #181 169 are needed for Power Terminal Boots.

Part #	Description	Cord Range (Min. – Max.)
219 515	50 amp, 230 volt pin-type wall receptacle	—
219 516	50 amp, 230 volt pin-type male plug	0 – 1.00
213 380	50 amp, 230 volt pin-type male plug (heavy-duty)	0.625 – 1.320
219 535	50 amp, 230 volt pin-type cord-mount receptacle	0.425 – 1.31
119 172	50 amp, 125/250 volt pin-type male plug	0.62 – 1.31
254 140	Plug, str grd 3P4W 3PH 50A 240V 15-50P	—



#039 046



#179 848

#180 732



#219 515

#219 516



#254 140

#219 535

#119 172

TRUE BLUE[®] WARRANTY

LIMITED WARRANTY – Subject to the terms and conditions below, Miller Electric Mfg. Co., Appleton, Wisconsin, warrants to its original retail purchaser that new Miller equipment sold after the effective date of this limited warranty is free of defects in material and workmanship at EXPRESSLY IN OR IMPLIED, INCLUDING THE WARRANTIES OF MERCHANTABILITY AND FITNESS.

Within the warranty periods listed below, Miller will repair or replace any warranted parts or components that fail due to such defects in material or workmanship. Miller must be notified in writing within thirty (30) days of such defect or failure, at which time Miller will provide instructions on the warranty claim procedures to be followed.

Miller shall honor warranty claims on warranted equipment listed below in the event of such a failure within the warranty time periods. All warranty time periods start on the delivery date of the equipment to the original end-user purchaser, after the equipment is shipped to a North American distributor or eighteen months after the equipment is shipped to an International distributor.

- 3 Years — Parts and Labor**
* Auto-Darkening Helmet Lenses (Except Classic Series) (No Labor)
- 2 Years — Parts and Labor**
* Auto-Darkening Helmet Lenses – Classic Series Only (No Labor)
- 1 Year — Parts and Labor Unless Specified**
* CoolBelt and CoolBand Blower Unit (No Labor)
* ICE/XT Plasma Cutting Torches (No Labor)
* PAPR Blower Unit (No Labor)
- 6 Months — Parts**
* Batteries
* Bernard Guns (No Labor)
- 90 Days — Parts**
* M-Guns
* MIG Guns and Subarc (SAW) Guns
* Replacement Parts (No labor)
* Roughneck Guns

Miller's True Blue[®] Limited Warranty shall not apply to:

- Consumable components; such as contact tips, cutting nozzles, contactors, brushes, relays, work station table tops and welding curtains, or parts that fail due to normal wear. (Exception: brushes and relays are covered on all engine-driven products.)
- Items furnished by Miller, but manufactured by others, such as engines or trade accessories. These items are covered by the manufacturer's warranty, if any.
- Equipment that has been modified by any party other than Miller, or equipment that has been improperly installed, improperly operated or misused based upon industry standards, or equipment which has not had reasonable and necessary maintenance, or equipment which has been used for operation outside of the specifications for the equipment.

MILLER PRODUCTS ARE INTENDED FOR PURCHASE AND USE BY COMMERCIAL/INDUSTRIAL USERS AND PERSONS TRAINED AND EXPERIENCED IN THE USE AND MAINTENANCE OF WELDING EQUIPMENT.

In the event of a warranty claim covered by this warranty, the exclusive remedies shall be, at Miller's option: (1) repair; or (2) replacement; or, where authorized in writing by Miller in appropriate cases, (3) the reasonable cost of repair or replacement at an authorized Miller service station; or (4) payment of or credit for the purchase price (less reasonable depreciation based upon actual use) upon return of the goods at customer's risk and expense. Miller's option of repair or replacement will be F.O.B., Factory at Appleton, Wisconsin, or F.O.B. at a Miller authorized service facility as determined by Miller. Therefore no compensation or reimbursement for transportation costs of any kind will be allowed.

TO THE EXTENT PERMITTED BY LAW, THE REMEDIES PROVIDED HEREIN ARE THE SOLE AND EXCLUSIVE REMEDIES. IN NO EVENT SHALL MILLER BE LIABLE FOR DIRECT, INDIRECT, SPECIAL, INCIDENTAL OR CONSEQUENTIAL DAMAGES (INCLUDING LOSS OF PROFIT), WHETHER BASED ON CONTRACT, TORT OR ANY OTHER LEGAL THEORY.

ANY EXPRESS WARRANTY NOT PROVIDED HEREIN AND ANY IMPLIED WARRANTY, GUARANTY OR REPRESENTATION AS TO PERFORMANCE, AND ANY REMEDY FOR BREACH OF CONTRACT TORT OR ANY OTHER LEGAL THEORY WHICH, BUT FOR THIS PROVISION, MIGHT ARISE BY IMPLICATION, OPERATION OF LAW, CUSTOM OF TRADE OR COURSE OF DEALING, INCLUDING ANY IMPLIED WARRANTY OF MERCHANTABILITY OR FITNESS FOR PARTICULAR PURPOSE, WITH RESPECT TO ANY AND ALL EQUIPMENT FURNISHED BY MILLER IS EXCLUDED AND DISCLAIMED BY MILLER.

Some states in the U.S.A. do not allow limitations of how long an implied warranty lasts, or the exclusion of incidental, indirect, special or consequential damages, so the above limitation or exclusion may not apply to you. This warranty provides specific legal rights, and other rights may be available, but may vary from state to state.

In Canada, legislation in some provinces provides for certain additional warranties or remedies other than as stated herein, and to the extent that they may not be waived, the limitations and exclusions set out above may not apply. This Limited Warranty provides specific legal rights, and other rights may be available, but may vary from province to province.

WARRANTY QUESTIONS?

Call 1-866-931-9730 for your local Miller distributor.

Your distributor also gives you...

Service - You always get the fast, reliable response you need. Most replacement parts can be in your hands in 24 hours.

Support - Need fast answers to the tough welding questions? Contact your distributor. The expertise of the distributor and Miller is there to help you, every step of the way.



Finding the right parts and consumables has never been easier since the introduction of Genuine Select; the Parts and Consumables page on Millerwelds.com. Think of it as the online companion to the Welding Components and Parts Guide. This online tool allows you and your customers to quickly determine what consumables are used on their Miller equipment. It even lets your customers select their desired consumables and print the page to bring into the store and hand to your sales people. Check it out at <http://www.millerwelds.com/parts/>. This is just another way Miller is trying to make your job easier!



Extranet <https://partners.itwwelds.com>

The Distributor Extranet, located at <https://partners.itwwelds.com>, is a secure, private Web site that offers personalized information to Miller distributors. It gives distributors the ability to check order status, track shipments, or check price and availability, whenever it is convenient — 24 hours a day, 7 days a week. It also provides access to product Specification Sheets, new product information and gives you the ability to order Spec Sheets and sales tools online.



Because much of what you'll find at this site applies specifically to your company, a username and password are required to gain access. Controlled access to this

information is very important for Miller and the distributor, which is why a formal "enrollment process" is required.


On-Line Enrollment Process

Distributor management visit <https://partners.itwwelds.com> and click on "Register now", and you will be able to establish a Web Access Coordinator (WAC) for your business. When approved, the WAC will have the ability to enable access for all other employees within the distributorship that you wish to have access.

On-Line Service Parts Ordering

Once you're business is enrolled on the Extranet, you'll have the added convenience of placing your Miller Service Parts orders online. Contact your Web Access Coordinator to enable this feature. Then you'll be able to link to it from the "Sales Navigation."

Vol. Parts 2014

4		Welding Protection Head and Face4 Hand and Body10 Heat Stress12 Respiratory14
16		MIG Guns Miller MIG Gun/Machine Reference16 M-Series MIG Gun Parts/Consumables17 MIG Bulk Consumables20 Roughneck MIG Gun Parts/Consumables21 Bernard MIG Gun Parts/Consumables23 Pipeworx MIG Gun Parts/Consumables28 Pipepro Dura-Flux XC Parts/Consumables30 Bernard MIG S-Gun Parts/Consumables31 Bernard Dura-Flux Parts/Consumables32 Ironmate Flux Cored Gun Parts/Consumables33 Hobart MIG Gun/Machine Reference36 Hobart MIG Gun Parts/ Reference36 Millermatic Service Parts40
41		Spool Guns Miller Spool Gun Parts/Consumables41
52		Drive Rolls Miller Drive Rolls, Guides and Kits52 Hobart Drive Rolls, Guides and Kits55
57		Metal Cutting Plasma Torches/Machine Reference57 XT Torch Parts/Consumables59 ICE Torch Parts/Consumables62 HP Torch Parts/Consumables74 Hose Fittings75 Pressure Gauges & Filters75 Welding Hoses76 Repair Parts78
79		Engine Drives Portable Engine Drive Service Parts79 Portable Engine Drive Tune-Up Components80 Industrial Engine Drive Tune-Up Kit Components84 Industrial Engine Drive Service Parts86
87		Spot Welders Tongs and Tips87
89		TIG Torches TIG Connectors89 Weldcraft TIG Torch Parts/Consumables90
107		Welding Related Products Paint/Scrubs/Welplers107
108		Service Parts Connector/Plugs/Receptacles108 Cable Connectors110 Electrode Holders/Work Clamps112 Labels113 Power Terminal Parts/Receptacles and Plugs114 True Blue Warranty115

MillerWelds.com

Distributed By:

